



**MICRO SWITCH**

FREEPORT, ILLINOIS, U.S.A.  
A DIVISION OF HONEYWELL

FED. MFG. CODE 91929

**SWITCH-UNIT  
LIGHT FORCE**

CATALOG LISTING

**2D SERIES CHART 4**

THIS DRAWING COVERS A PROPRIETARY ITEM AND IS THE PROPERTY OF MICRO SWITCH, A DIVISION OF MINNEAPOLIS-HONEYWELL REGULATOR CO. THIS DRAWING IS NOT TO BE COPIED OR USED WITHOUT THE APPROVAL OF MICRO SWITCH.

CATALOG LISTING  
**2D SERIES CHART 4**  
PAGE 1 OF 1

ISSUE  
**M**  
10

REPLACES

RELEASE NO. PR-2737

CHECK

U3

AUG

8

SK

C

SK

9

MAR

72

PR-2737

REF

29

JUN

72

PR-3105

DBW

21

FEB

73

PR-9887

JMJ

13

FEB

81

CO50708

JAP

5

JAN

82

CO73917

TSM

2

APR

93

CO-

95794

CSL

28

JAN

00

CHECK

63

DAWA

MBF

8

AUG

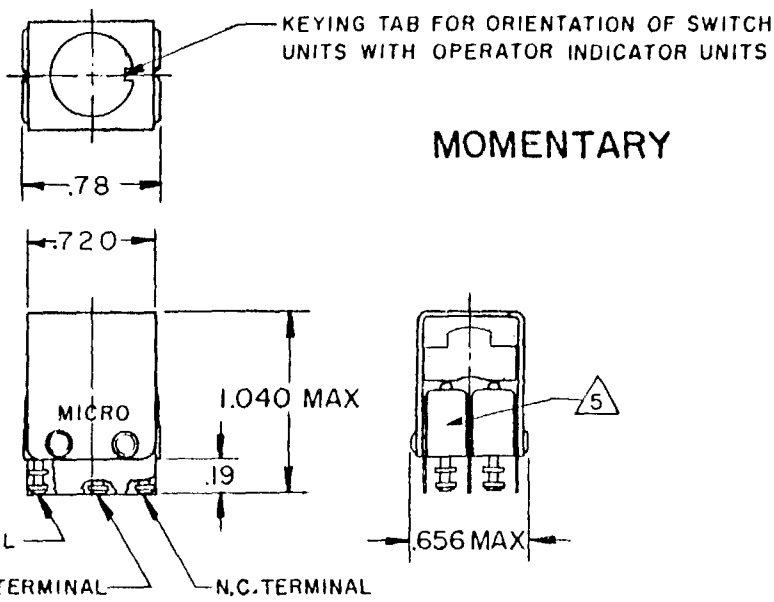
63

CHECK

63

FORMTEK  
FO-50378-005

DRAWN



NOTE -

- 1-"T2" TERMINALS ARE PLATED FOR SOLDERING
- 2-SWITCHES DO NOT NECESSARILY OPERATE SIMULTANEOUSLY
- 3-OPERATING FORCE APPROXIMATELY 15 OZ OR LESS
- 4 SPACER MAY BE LOCATED IN EITHER POSITION
- 5 WHEN VIEWING SWITCH FROM KEYING TAB END, SPACER WILL BE ON LEFT SIDE

MOMENTARY	BASIC SWITCH CONTACT MATERIAL				RELEASE STATUS
2D139	S	S			SR 10507
2D140	G	G			SR 10507
(J)	S	S	S	S	SR 10522
(J)	G	4			PR-1099
(B)	S	5			PR-3105

SCALE

DO NOT SCALE PRINT

UNLESS OTHERWISE SPECIFIED  
DIMENSIONS ARE IN INCHES

**TOLERANCES ARE:**

ONE PLACE	(.01)	±.030
TWO PLACE	(.00)	±.015
THREE PLACE	(.000)	±.005

ANGLES

WEIGHT