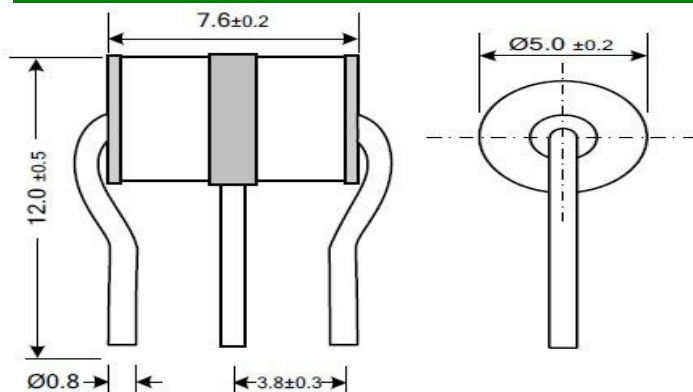


## 3-Electrode Gas Discharge Tubes

5KA

### 1: Dimension(mm)

Fast Delivery Time



3R75A Photo

### 2:Main Applications

- PCI Cards protection
- Telephone/Fax/Modem protection
- single line protection
- ADSL/XDSL Splitter,Power Supply
- Surge Protection Device/Surge Protector

### 3:Features

- 100% Lead-Free(RoHs Compliant )
- Non-Radioactive
- Low capacitance ( $\leq 1\text{pF}$ )
- Fast Response-time,High Insulation Resistance.
- Small size :Ø5x7.6(mm)

### 4 Electrical Characteristics

Part Number	DC Spark-over Voltage @ 100V/S	Impulse Spark-over Voltage @100V/ $\mu\text{s}$	Impulse Spark-over Voltage @1KV/ $\mu\text{s}$	Insulation Resistance	Impulse discharge current(8/20 $\mu\text{s}$ )		AC discharge current (50Hz, 1s, 10times)	Capacitance (1MHz)
	V	V	V		G $\Omega$	10 Times		
3R75A	75±20%	<500	<600	>1	5KA	8KA	5	$\leq 1$
3R90A	90±20%	<500	<600	>1	5KA	8KA	5	$\leq 1$
3R150A	150±20%	<500	<600	>1	5KA	8KA	5	$\leq 1$
3R230A	230±20%	<600	<700	>1	5KA	8KA	5	$\leq 1$
3R250A	250±20%	<600	<700	>1	5KA	8KA	5	$\leq 1$
3R300A	300±20%	<800	$\leq 900$	>1	5KA	8KA	5	$\leq 1$
3R350A	350±20%	<900	$\leq 1000$	>1	5KA	8KA	5	$\leq 1$
3R400A	400±20%	<900	$\leq 1000$	>1	5KA	8KA	5	$\leq 1$
3R420A	420±20%	<900	$\leq 1000$	>1	5KA	8KA	5	$\leq 1$
3R470A	470±20%	<1100	$\leq 1200$	>1	5KA	8KA	5	$\leq 1$
3R500A	500±20%	<1100	$\leq 1200$	>1	5KA	8KA	5	$\leq 1$
3R600A	600±20%	<1200	$\leq 1300$	>1	5KA	8KA	5	$\leq 1$
3R800A	800±20%	<1300	$\leq 1400$	>1	5KA	8KA	5	$\leq 1$

Packing Quantity : 100PCS

Shen Zhen HuaXinAn Electronics Co.,Ltd

sales@huaandz.com

abc0734@126.com