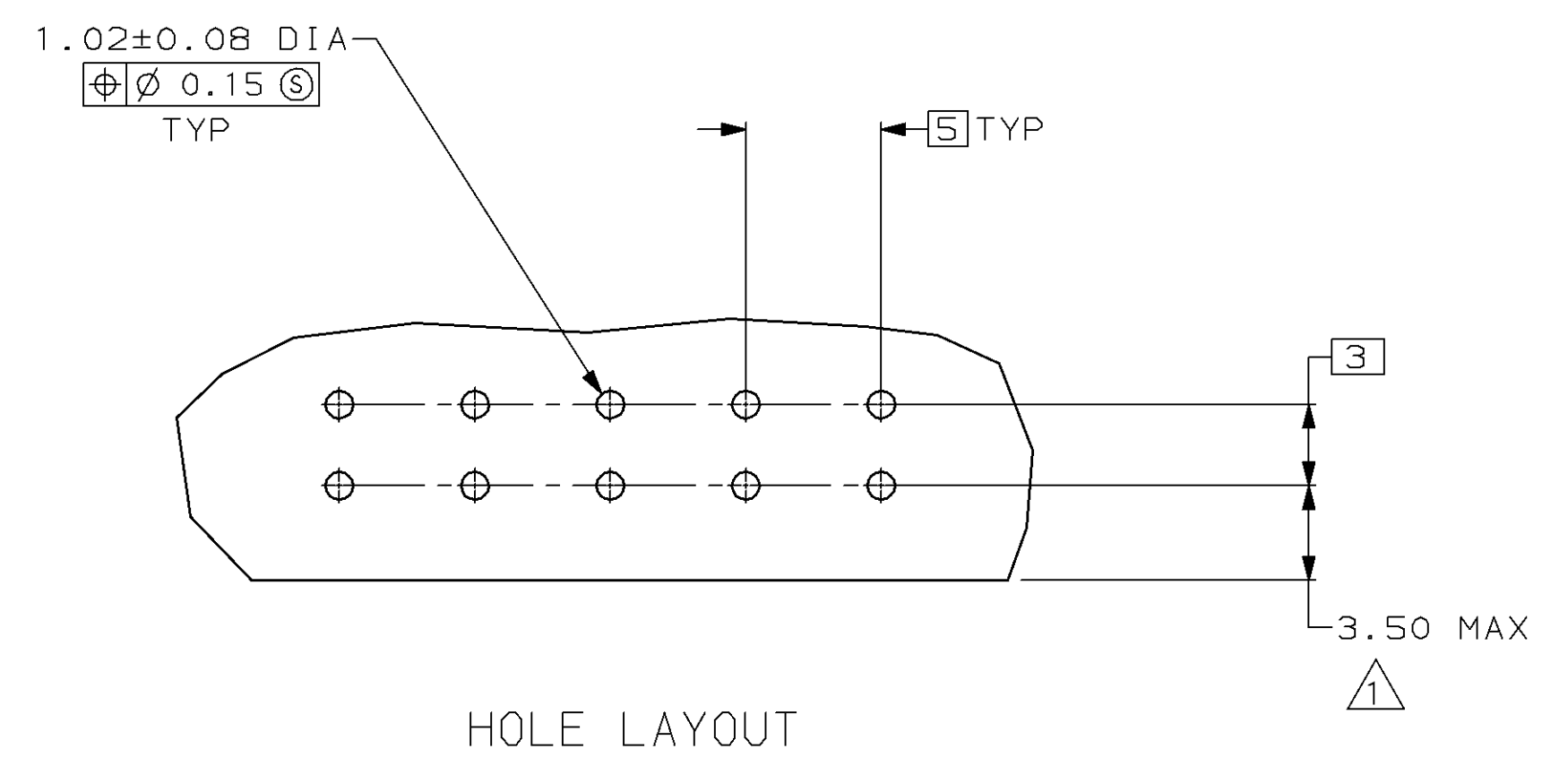
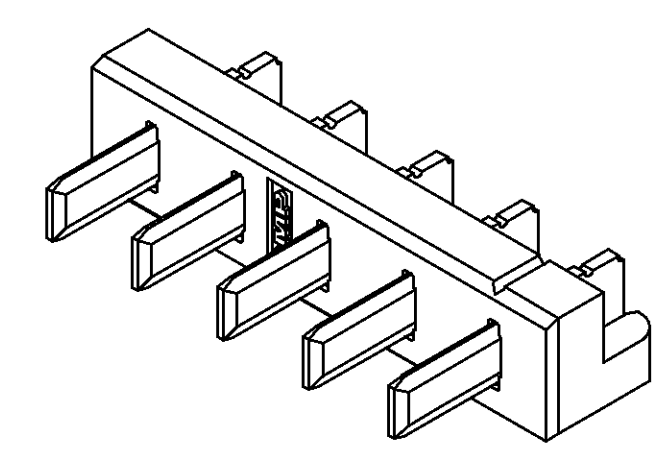
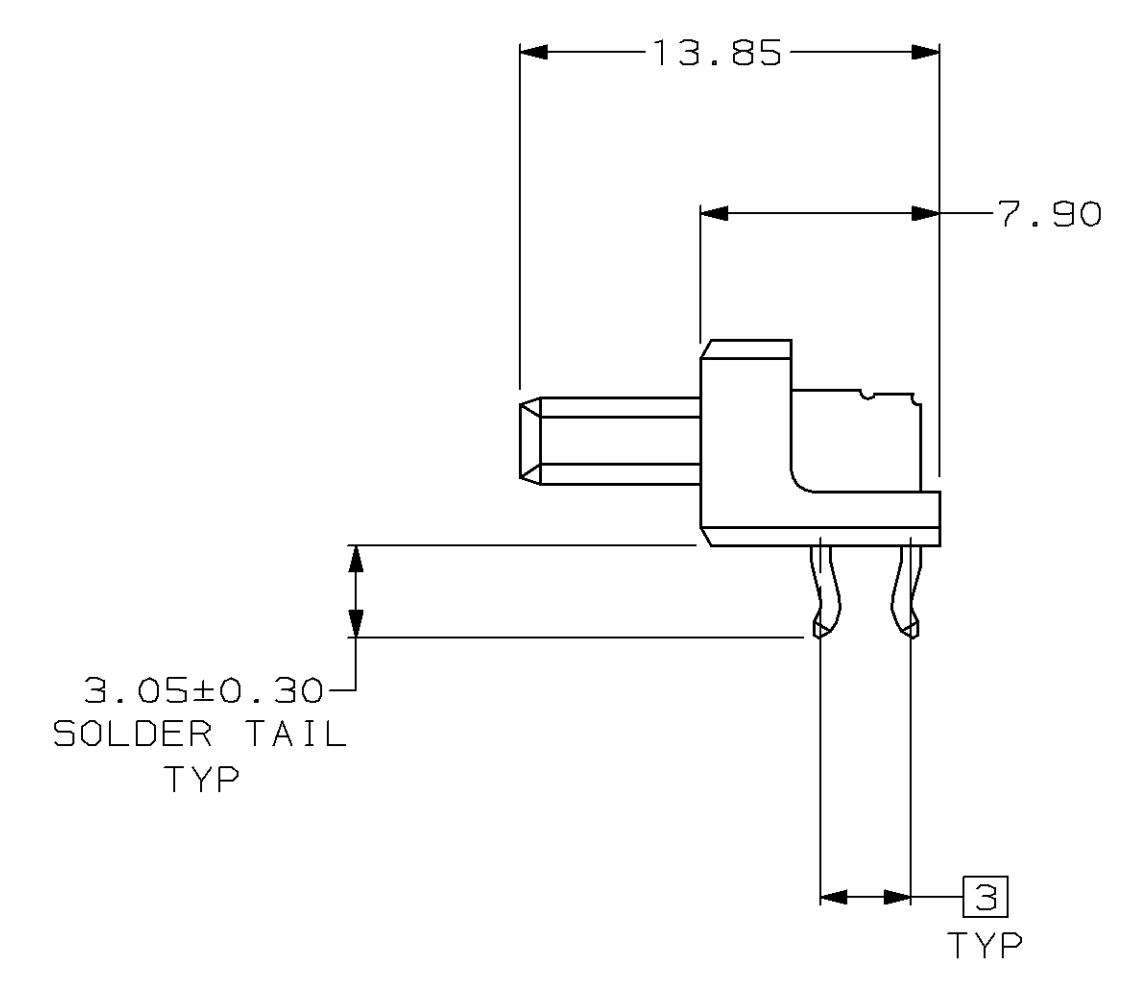
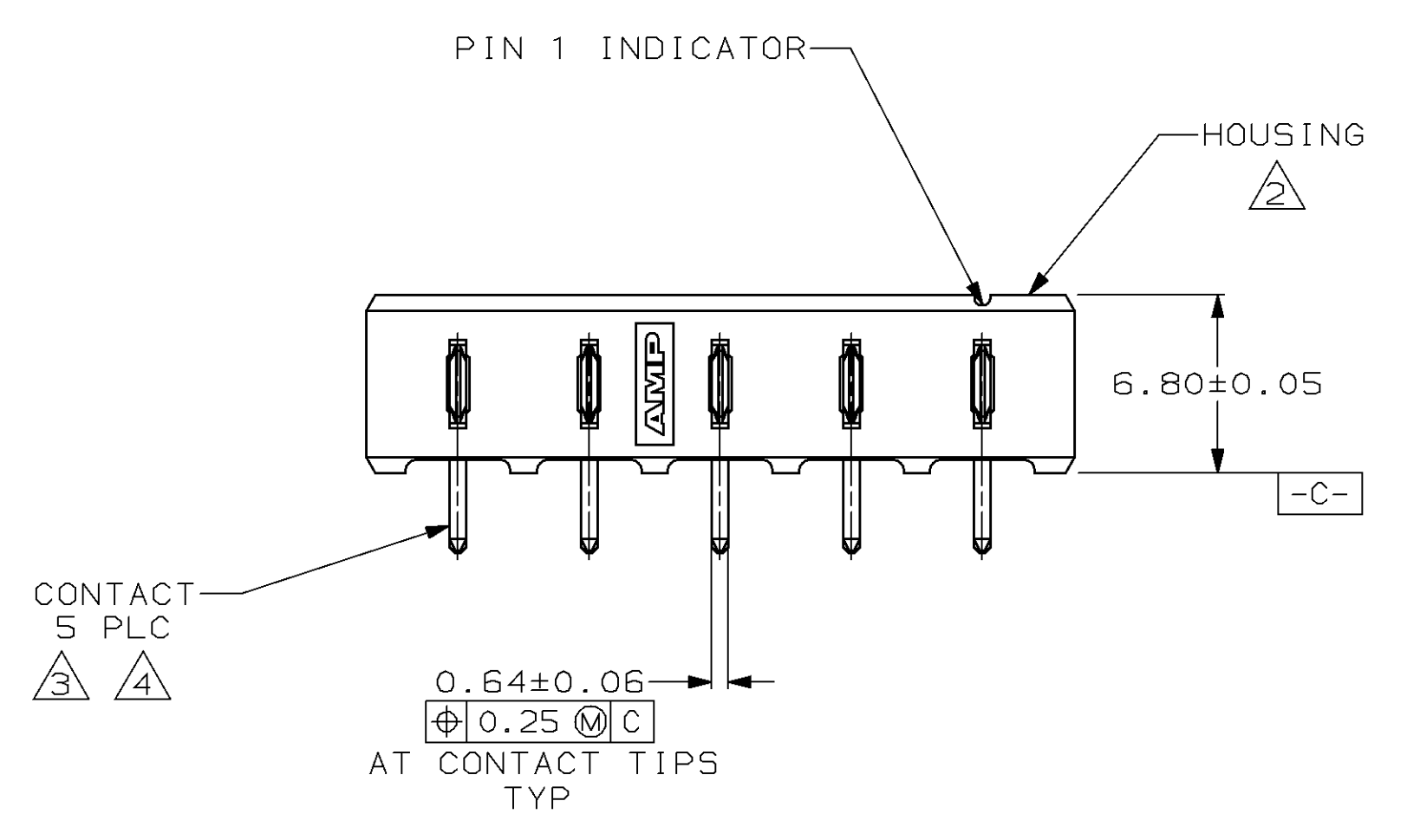
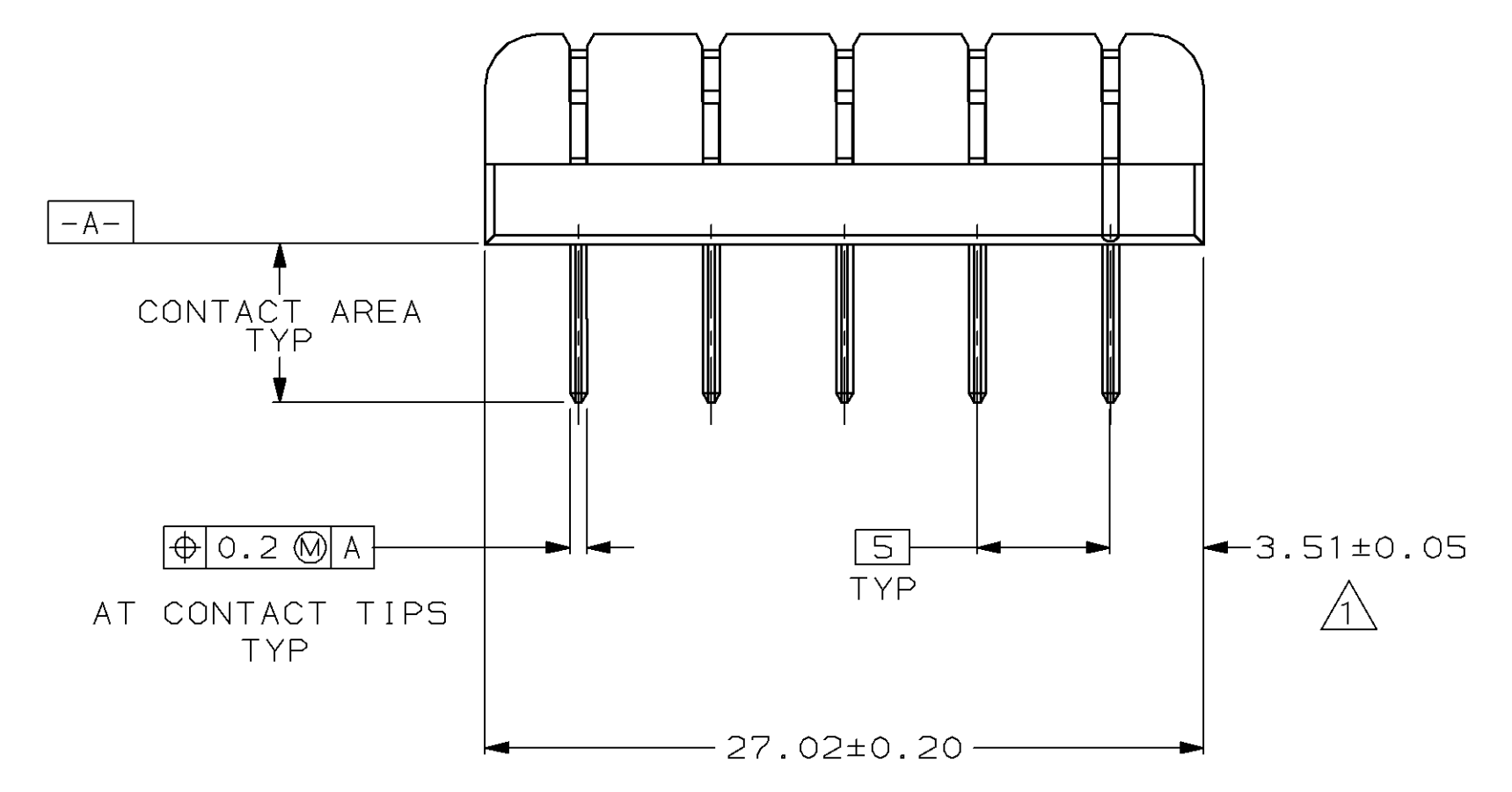


LOC	DIST	REVISIONS			
P	LTR	DESCRIPTION	DATE	OWN	APVD
0		RLSE -1 PER NPR 5307 WAS 95-2197-15-1	03-28-95	SK	SK
A		REV PER EC 0020-0657-96	12/06/96	JR	RS

- △1 COORDINATE DIMENSION APPLIES FROM CENTER OF ACTUAL FEATURE.
- △2 LCP, BLACK
- △3 2.54µm MIN TIN-LEAD ON SOLDER TAIL OVER 1.90µm MIN NICKEL ALL OVER.
- △4 CONTACTS: BRASS



787443-1
PART NO

<small>THIS DRAWING IS A CONTROLLED DOCUMENT FOR AMP INCORPORATED. IT IS SUBJECT TO CHANGE AND THE CONTROLLING ENGINEERING DEPARTMENT SHOULD BE CONTACTED FOR THE LATEST REVISION.</small>		DWN S.KLINE 03-28-95 CHK S.KLINE 03-30-95 APVD S.KLINE 03-30-95	AMP AMP Incorporated Harrisburg, PA 17105-3508
DIMENSIONS: mm	TOLERANCES UNLESS OTHERWISE SPECIFIED: 0 PLC ±- 1 PLC ±- 2 PLC ±0.13 3 PLC ±- 4 PLC ±- ANGLES ±-	NAME: HEADER ASSEMBLY, RIGHT ANGLE, KEYLESS, 5mm ϕ , 5 POSN. PRODUCT SPEC: 108-1501 APPLICATION SPEC: 114-24005	SIZE: A1 CAGE CODE: 00779 DRAWING NO: 787443
MATERIAL: SEE CALLOUTS	FINISH: SEE CALLOUTS	WEIGHT: - CUSTOMER DRAWING	SCALE: 4:1 SHEET: 1 OF 1 REV: A