

80mm sq.

San Ace 80

15mm thick, 20mm thick, 25mm thick
25mm thick (San Cooler), 32mm thick
 38mm thick (GV type), 38mm thick (G type)



General Specifications With a pulse sensor

- Material Frame: Plastics (Flammability: UL94V-0),
 Impeller: Plastics (Flammability: UL94V-0)
- Life Expectancy Varies for each model (L10: Survival rate: 90% at 60°C,
 rated voltage, and continuously run in a free air state)
- Lead Wire ⊕red ⊖black or blue (Sensor) yellow
- Storage Temperature -30°C to +70°C (Non-condensing)

80×80×25mm (Mass : 90g)

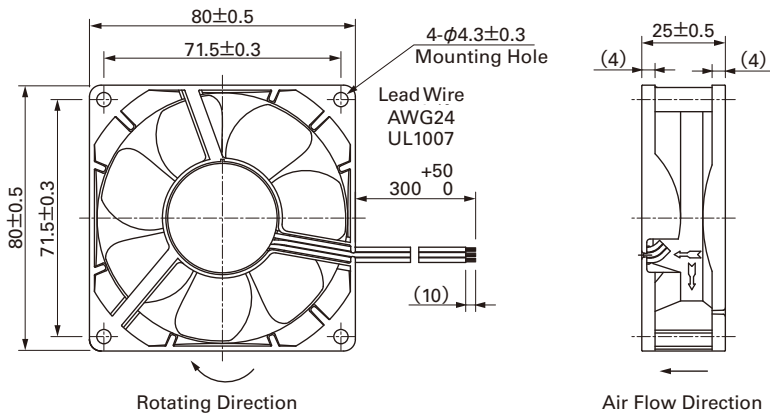
San Cooler

Specifications The numbers in () represent ribless models.

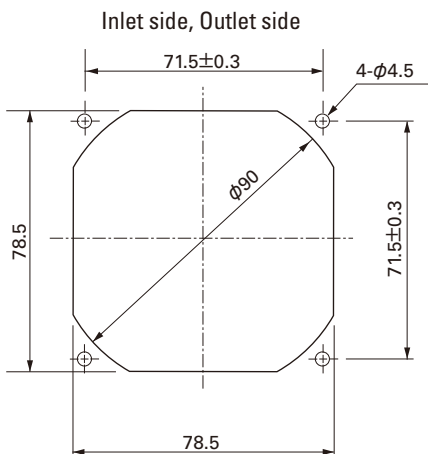
Model No.	Rated Voltage [V]	Operating Voltage Range [V]	Rated Current [A]	Rated Input [W]	Rated Speed [min ⁻¹]	Air Flow [m ³ /min] [CFM]	Static Pressure [Pa] [inchH ₂ O]	SPL [dB(A)]	Operating Temperature [°C]	Life Expectancy [h]		
9A0812G401(4011)	12	6 to 13.2	0.38	4.56	4,500	1.5	53.0	80.3	-10 to +60	30,000		
9A0812S401(4011)			0.18	2.16	3,400	1.2	42.4	48				
9A0812H401(4011)		6 to 13.8	0.13	1.56	2,900	1.03	36.4	35.3			-10 to +70	40,000
9A0812F401(4011)			0.11	1.32	2,600	0.92	32.5	28.4				
9A0812M401(4011)			0.09	1.08	2,350	0.83	29.3	22.5				
9A0812L401(4011)			0.06	0.72	1,850	0.65	23.0	14.7				
9A0824G401(4011)	24	12 to 26.4	0.21	5.04	4,500	1.5	53.0	80.3	-10 to +60	30,000		
9A0824S401(4011)		12 to 27.6	0.1	2.4	3,400	1.2	42.4	48				
9A0824H401(4011)			0.07	1.68	2,900	1.03	36.4	35.3				
9A0824F401(4011)			0.06	1.44	2,600	0.92	32.5	28.4				
9A0824M401(4011)			0.05	1.2	2,350	0.83	29.3	22.5				
9A0824L401(4011)		14 to 27.6	0.04	0.96	1,850	0.65	23.0	14.7				

Without Sensor **Pulse Sensor** Available in all models. **Lock Sensor** **PWM Control** Please inquire as the availability of these functions depend on the model.

Dimensions (Unit : mm) (With ribs)



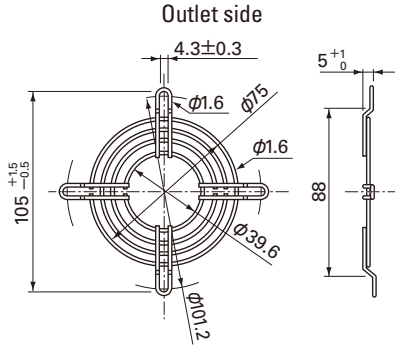
Reference dimension of mounting holes and vent opening (Unit : mm)



Options (Unit : mm)

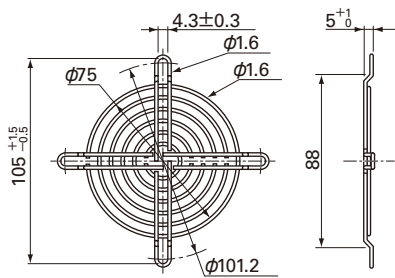
Finger guards

Model : 109-049C Surface treatment : Nickel-chrome plating (silver) Color : Nickel-chrome plating (silver)



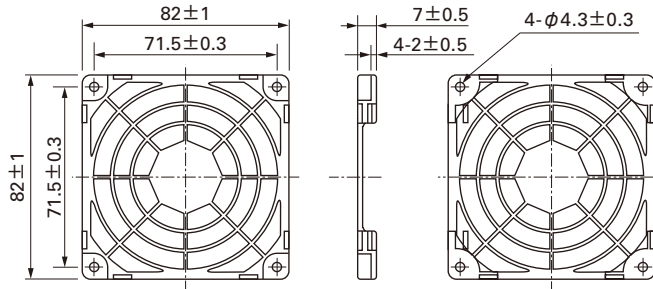
Model : 109-049E Surface treatment : Nickel-chrome plating (silver) Color : Nickel-chrome plating (silver)
 : 109-049H Surface treatment : Cation electropainting (black) Color : Cation electropainting (black)

Inlet side, Outlet side



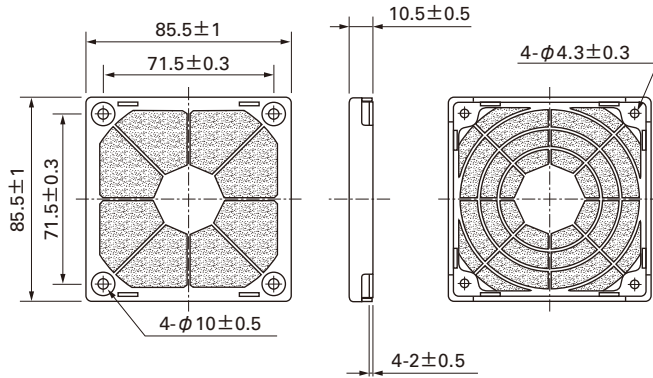
Resin finger guards

Model : 109-1002G

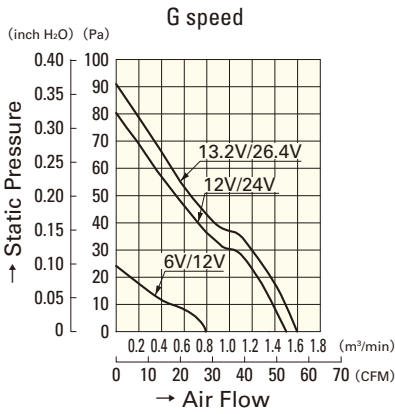


Resin filter kits

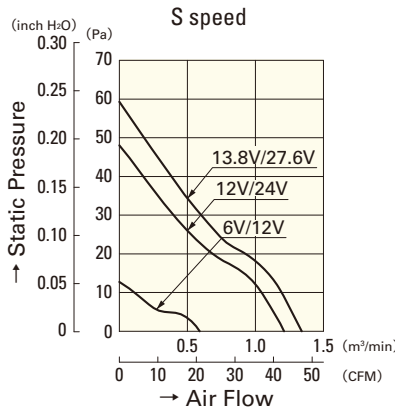
Model : 109-1002F13 (13PPI), 109-1002F20 (20PPI)
 : 109-1002F30 (30PPI), 109-1002F40 (40PPI)



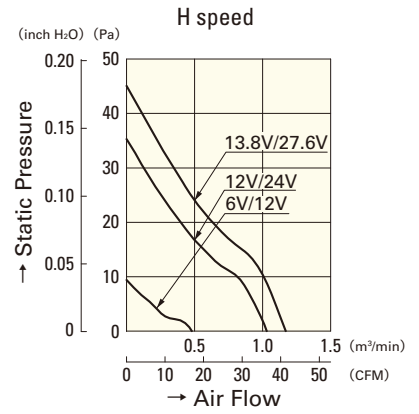
Air Flow and Static Pressure Characteristics



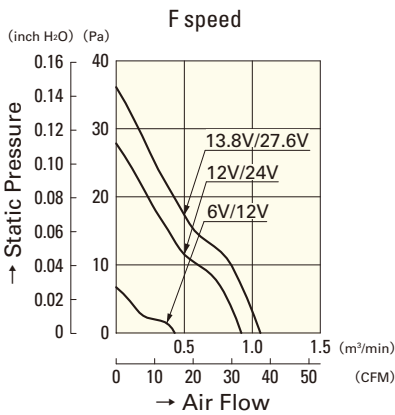
9A0812G401(4011)
9A0824G401(4011)



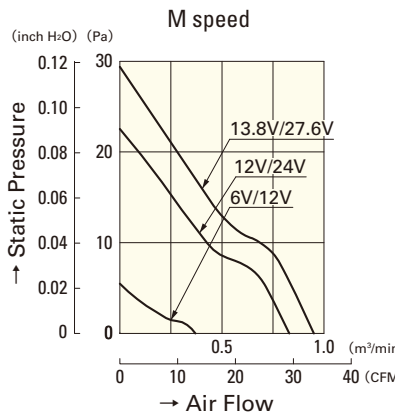
9A0812S401(4011)
9A0824S401(4011)



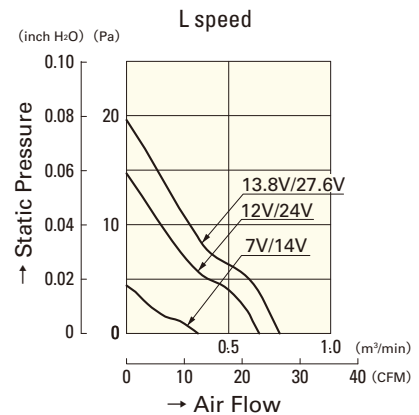
9A0812H401(4011)
9A0824H401(4011)



9A0812F401(4011)
9A0824F401(4011)



9A0812M401(4011)
9A0824M401(4011)



9A0812L401(4011)
9A0824L401(4011)