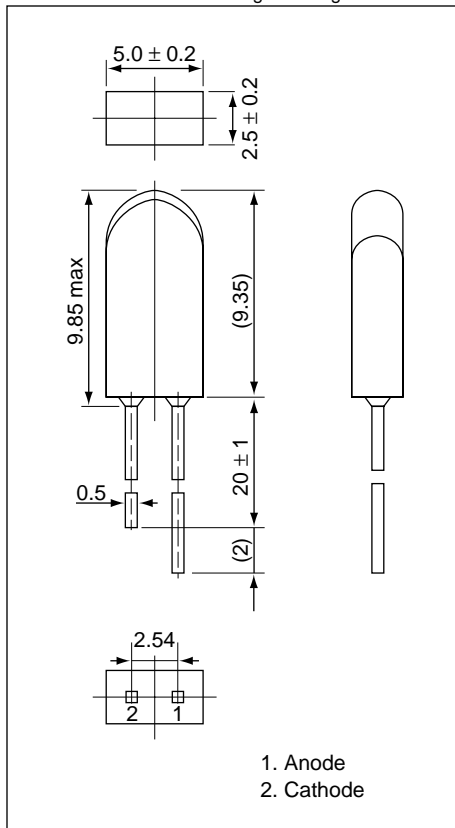




Weight: 0.23 g Unit: mm



# AND233CRP

## GaAlAs Red Light Emission

### Special Shape Package

#### Features

- 2.5 x 5 mm arch lens
- Peak wavelength ( $\lambda_p = 660$  nm) high bright emission
- All plastic mold type, clear colorless lens
- Low drive current
- Excellent On-Off contrast ratio
- Fast response time, capable of pulse operation
- Suitable for: level meter, safety equipment, automotive use

#### Maximum Ratings (T = 25°C)

Characteristics	Symbol	Rating	Unit
Forward Current	$I_F$	50	mA
Reverse Voltage	$V_R$	4	V
Power Dissipation	$P_D$	125	mW
Operating Temperature Range	$T_{Opr}$	-20 to 75	°C
Storage Temperature Range	$T_{Stg}$	-30 to 100	°C

#### Electro-Optical Characteristics (T = 25°C)

Characteristics	Symbol	Test Condition	Minimum	Typical	Maximum	Unit
Forward Voltage	$V_F$	$I_F = 20$ mA	–	1.85	2.2	V
Reverse Current	$I_R$	$V_R = 4$ V	–	–	100	$\mu$ A
Luminous Intensity	$I_V$	$I_F = 20$ mA	320	800	–	mcd
Peak Emission Wavelength	$I_P$	$I_F = 20$ mA	–	660	–	nm
Spectral Line Half Width	$\Delta\lambda$	$I_F = 20$ mA	–	25	–	nm
Dominant Wavelength	$\lambda_d$	$I_F = 20$ mA	–	640	–	nm
Full Viewing Angle	$\theta$	$I_V = 1/2$ Peak	–	15	–	degree

#### Precaution

Please be careful of the following:

1. Soldering temperature: 260°C max  
Soldering time: 3 sec. max  
Soldering portion of lead: up to 2 mm from the body of the device
2. The lead can be formed up to 5 mm from the body of the device without forming stress.  
Soldering should be performed after the lead forming.

