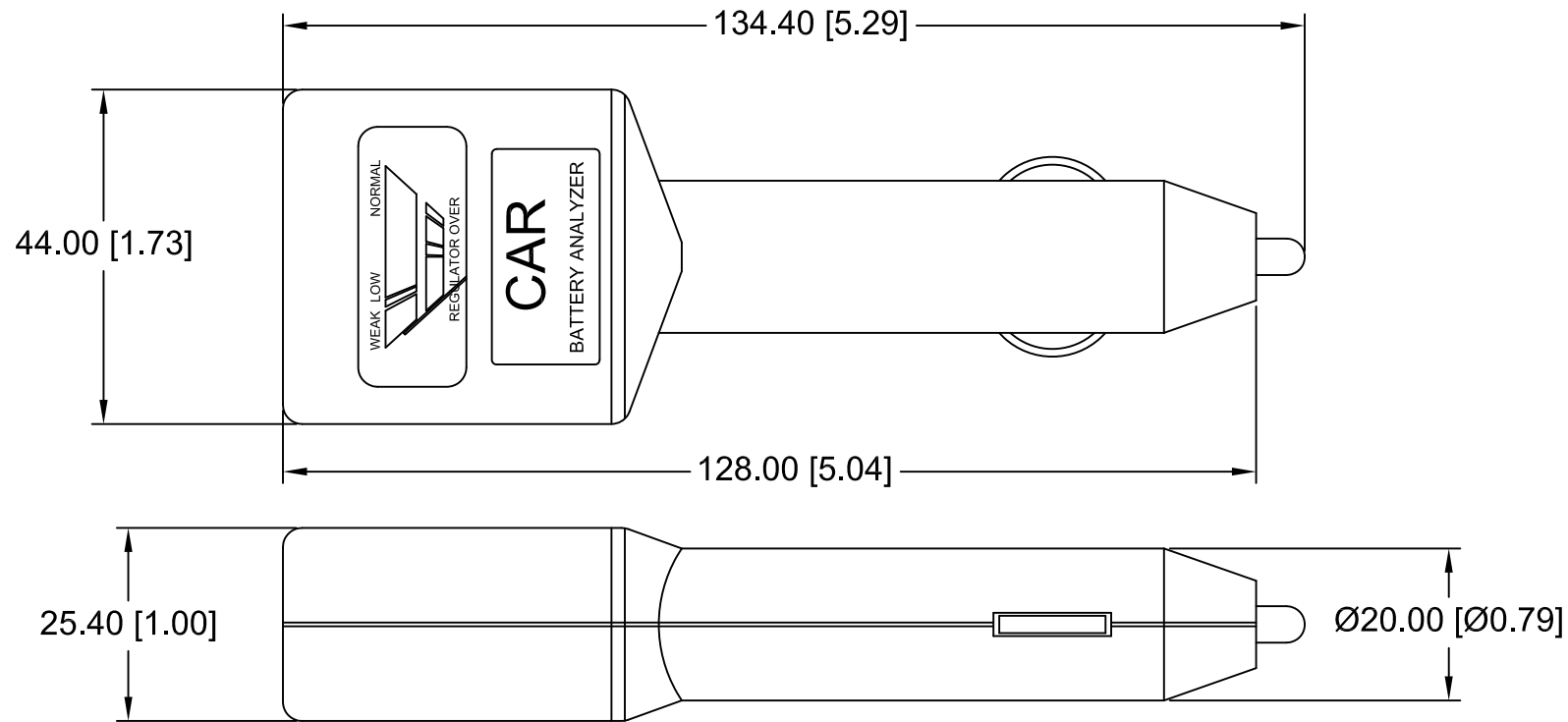



Date	SYM	REVISION RECORD	AUTH	DR.	CK.



NOTE:

- CASING: ABS
- NEG. TERMINAL: STEEL
- POS. TERMINAL: STEEL, NICKEL PLATED
- SCREW: IRON, PLATED BLACK
- ROHS COMPLIANT

Tolerance (Except as noted)	 Memory Protection Devices, Inc 200 Broad Hollow Road, Farmingdale, New York 11735	Scale	Drawn By B.S.
decimal ±.020 (.5)		Approved By T.B.	
Fractional ± .030 (.8)	Title CAR BATTERY ANALYZER WITH AUTO PLUG		
Angular ± 3°	Date 05/28/10	Drawing Number AP-125	