

Description

The MIK2950-XX/MIK2951-XX is a low power voltage regulator. This device excellent choice for use in battery powered application such as cordless telephone, radio control systems, and portable computers.

The MIK2950-XX/MIK2951-XX features very low quiescent current (75µA Typ.) and very low drop output voltage (Typ. 40mV at light load and 380mV at 100mA). This includes a tight initial tolerance of 0.5% typ., extremely good load and line regulation of 0.05% typ., and very low output temperature coefficient, making the MIK2950-XX/MIK2951-XX useful as a low-power voltage reference.

The error flag output feature is used as power-on reset for warn of a low output voltage, due to following batteries on input. Other feature is the logic-compatible shutdown input which enable the regulator to be switched on and off. The MIK2951-XX is available in 8-pin plastic packages. The regulator output voltage may be pin-strapped for a -XX volt or programmed from 1.24 volt to 29 volts with external pair of resistors.

The MIK2950-XX is offered in 3-pin TO-92 package compatible with other fixed regulator.

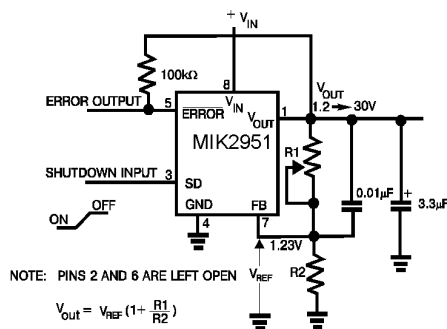
Features

- High accuracy output voltage
- Guaranteed 100mA output
- Very low quiescent current
- Low dropout voltage
- Extremely tight load and line regulation
- Very low temperature coefficient
- Needs only 1mF for stability
- Error Flag warns of output dropout
- Logic-Controlled electronic shutdown
- Output programmable from 1.24 to 29V

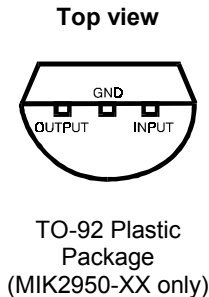
Applications

- Battery powered systems
- Cordless telephones
- Radio control systems
- Portable/Palm top/Notebook computers
- Portable consumer equipment
- Portable Instrumentation
- Avionics
- Automotive Electronics
- SMPS Post-Regulator
- Voltage Reference

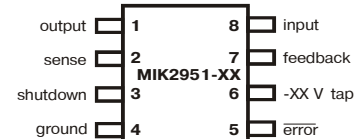
Typical application data 100 mA adjustable regulator



Package information



Pin Connection MIK2951-XX



Absolute Maximum Ratings

Parameter	Maximum	Units
Power Dissipation	Internally Limited	W
Lead Temperature (Soldering, 5 seconds)	260	°C
Storage Temperature Range	-65 to +150	°C
Operating Junction Temperature Range	-55 to +150	°C
Input Supply Voltage	-0.3 to +30	V
Feedback Input Voltage	-1.5 to +30	V
Shutdown Input Voltage	-0.3 to +30	V
Error Comparator Output	-0.3 to +30	V

Device Selection Guide (Note 1)

Device	Output voltage
MIK2950-2.85, MIK2951-2.85	2.85
MIK2950-3.0, MIK2951-3.0	3.0
MIK2950-3.3, MIK2951-3.3	3.3
MIK2950-5.0, MIK2951-5.0	5.0

Note 1: Other versions are available Vout = 2.9V to 5.0V

Description

The MİK2950-XX/MİK2951-XX is a low power voltage regulator. This device excellent choice for use in battery powered application such as cordless telephone, radio control systems, and portable computers.

The MİK2950-XX/MİK2951-XX features very low quiescent current (75µA Typ.) and very low drop output voltage (Typ. 40mV at light load and 380mV at 100mA). This includes a tight initial tolerance of 0.5% typ., extremely good load and line regulation of 0.05% typ., and very low output temperature coefficient, making the MİK2950-XX/MİK2951-XX useful as a low-power voltage reference.

The error flag output feature is used as power-on reset for warn of a low output voltage, due to following batteries on input. Other feature is the logic-compatible shutdown input which enable the regulator to be switched on and off. The MİK2951-XX is available in 8-pin plastic packages. The regulator output voltage may be pin-strapped for a -XX volt or programmed from 1.24 volt to 29 volts with external pair of resistors.

The MİK2950-XX is offered in 3-pin TO-92 package compatible with other fixed regulator.

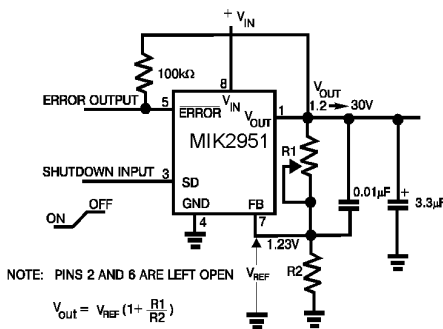
Features

- High accuracy output voltage
- Guaranteed 100mA output
- Very low quiescent current
- Low dropout voltage
- Extremely tight load and line regulation
- Very low temperature coefficient
- Needs only 1mF for stability
- Error Flag warns of output dropout
- Logic-Controlled electronic shutdown
- Output programmable from 1.24 to 29V

Applications

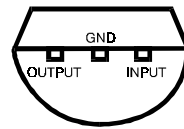
- Battery powered systems
- Cordless telephones
- Radio control systems
- Portable/Palm top/Notebook computers
- Portable consumer equipment
- Portable Instrumentation
- Avionics
- Automotive Electronics
- SMPS Post-Regulator
- Voltage Reference

Typical application data 100 mA adjustable regulator



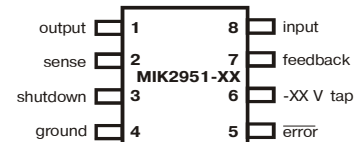
Package information

Top view



TO-92 Plastic Package
(MİK2950-XX only)

Pin Connection MİK2951-XX



Absolute Maximum Ratings

Parameter	Maximum	Units
Power Dissipation	Internally Limited	W
Lead Temperature (Soldering, 5 seconds)	260	°C
Storage Temperature Range	-65 to +150	°C
Operating Junction Temperature Range	-55 to +150	°C
Input Supply Voltage	-0.3 to +30	V
Feedback Input Voltage	-1.5 to +30	V
Shutdown Input Voltage	-0.3 to +30	V
Error Comparator Output	-0.3 to +30	V

Device Selection Guide (Note 1)

Device	Output voltage
MİK2950-2.85, MİK2951-2.85	2.85
MİK2950-3.0, MİK2951-3.0	3.0
MİK2950-3.3, MİK2951-3.3	3.3
MİK2950-5.0, MİK2951-5.0	5.0

Note 1: Other versions are available Vout = 2.9V to 5.0V

Electrical Characteristics

Electrical Characteristics at $T_a = 25^\circ\text{C}$, $V_{in} = 15\text{V}$; unless otherwise noted

Parameter	Test Conditions (Note 2)	Min	Typ	Max	Units
Output Voltage	$-25^\circ\text{C} \leq T_J \leq 85^\circ\text{C}$ Full Operating Temperature	0.985 $ V_o $ 0.98 $ V_o $	V_o	1.015 $ V_o $ 1.02 $ V_o $	V
Output Voltage	$100\mu\text{A} \leq I_L \leq 100\text{mA}$, $T_J \leq T_{JMAX}$	0.976 $ V_o $	V_o	1.024 $ V_o $	
Output Voltage Temperature Coefficient	(Note 1)		50	150	ppm/ $^\circ\text{C}$
Line Regulation (Note 3)	$V_o + 1\text{V} \leq V_{in} \leq 30\text{V}$ (Note 4)		0.04	0.4	%
Load Regulation (Note 3)	$100\mu\text{A} \leq I_L \leq 100\text{mA}$		0.1	0.3	%
Dropout Voltage (Note 5)	$I_L = 100\mu\text{A}$		50	80	mV
	$I_L = 100\text{mA}$		380	450	
Ground Current	$I_L = 100\mu\text{A}$		75	120	μA
	$I_L = 100\text{mA}$		8	12	mA
Dropout Ground Current	$V_{in} = V_o - 0.5\text{V}$, $I_L = 100\mu\text{A}$		110	170	μA
Current Limit	$V_{out} = 0$		160	200	mA
Thermal Regulation			0.05	0.2	%/W
Output Noise, 10Hz to 100KHz	$C_L = 1\mu\text{F}$		430		$\mu\text{V rms}$
	$C_L = 200\mu\text{F}$		160		
	$C_L = 3.3\mu\text{F}$		100		
	(Bypass = 0.01 μF pins 7 to 1 (MIK2951-XX))				
8-pin Versions only					
Reference Voltage		1.21	1.235	1.26	V
Reference Voltage	Over Temperature (Note 6)	1.185		1.285	
Feedback Pin Bias Current			20	40	nA
Reference Voltage Temperature Coefficient	(Note 7)		50		ppm/ $^\circ\text{C}$
Feedback Pin Bias Current Temperature Coefficient			0.1		nA/ $^\circ\text{C}$
Error Comparator					
Output Leakage Current	$V_{oh} = 30\text{V}$		0.01	1.0	μA
Output Low Voltage	$V_{in} = 4.5\text{V}$, $I_{OL} = 400\mu\text{A}$		150	250	mV
Upper Threshold Voltage	(Note 8)	40	60		
Lower Threshold Voltage	(Note 8)		75	95	
Hysteresis	(Note 8)		15		
Shutdown Input					
Input Logic Voltage	Low (Regulator ON)		1.3	0.7	V
	High (Regulator OFF)	2			
Shut down Pin Input Current	$V_S = 2.4\text{V}$		30	50	μA
	$V_S = 30\text{V}$		450	600	
Regulator Output Current in Shutdown	(Note 9)				
	$V_{OUT} = 5.0\text{V}$		3	10	
	$3.3\text{V} \leq V_{OUT} < 5.0\text{V}$			20	
	$2.0\text{V} \leq V_{OUT} < 3.3\text{V}$			30	

Note 1: Output or reference voltage temperature coefficients defined as the worst case voltage change divided by the total temperature range.

Note 2: Unless otherwise specified all limits guaranteed for $T_J = 25^\circ\text{C}$, $V_{in} = V_o + 1\text{V}$, $I_L = 100\mu\text{A}$ and $C_L = 1\mu\text{F}$. Additional conditions for the 8-pin versions are feedback tied to -XX V tap and output tied to output Sense ($V_{out} = \text{XX V}$) and $V_{shutdown} \leq 0.8\text{V}$

Note 3: Regulations is measured at constant junction temperature, using pulse testing with a low duty cycle. Changes in output voltage due to heating effects are covered under the specification for thermal regulation.

Note 4: Line regulation for MIK2951-XX is tested at 150°C for $I_L = 1\text{mA}$. For $I_L = 100\mu\text{A}$ and $T_J = 125^\circ\text{C}$, line regulation is guaranteed by design to 0.2%. See typical performance characteristics for line regulation versus temperature and load current.

Note 5: Dropout voltage is defined as the input to output differential at which the output voltage drops 100mV below its nominal value measured at 1V differential. At very low values of programmed output voltage, the minimum input supply voltage of 2V (2.3V over temperature) must be taken into account.

Note 6: $V_{ref} \leq V_{out} \leq (V_{in} - 1\text{V})$, $2.3\text{V} \leq V_{in} \leq 30\text{V}$, $100\mu\text{A} \leq I_L \leq 100\text{mA}$, $T_J \leq T_{JMAX}$.

Note 7: Output or reference voltage temperature coefficient is defined as the worst case voltage change divided by the total temperature range.

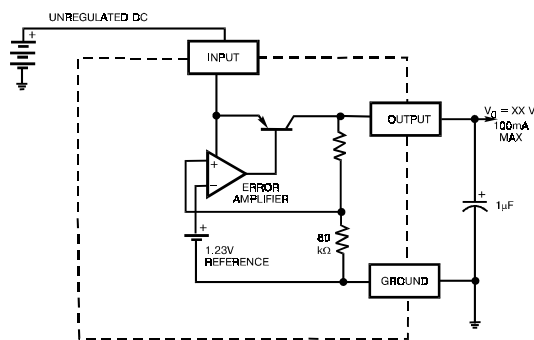
Note 8: Comparator thresholds are expressed in terms of a voltage differential at the feedback terminal below the nominal reference voltage measured at $V_o + 1\text{V}$ input. To express these thresholds in terms of output voltage change, multiply by the error amplifier

gain = $V_{out}/V_{ref} = (R1 + R2)/R2$. For example, at a programmed output voltage of 5V, the error output is guaranteed to go low when the output drops by $95mV \times 5V/1.235V = 384mV$. Thresholds remain constant as a percent of V_{out} as V_{out} is varied, with the dropout warning occurring at typically 5% below nominal, 7.5% guaranteed.

Note 9: $V_{shutdown} \geq 2V$, $V_{in} \leq 30V$, $V_{out} = 0$, Feedback pin tied to -XX V Tap.

Block Diagram and Typical Applications

MIK2950-XX



MIK2951-XX

