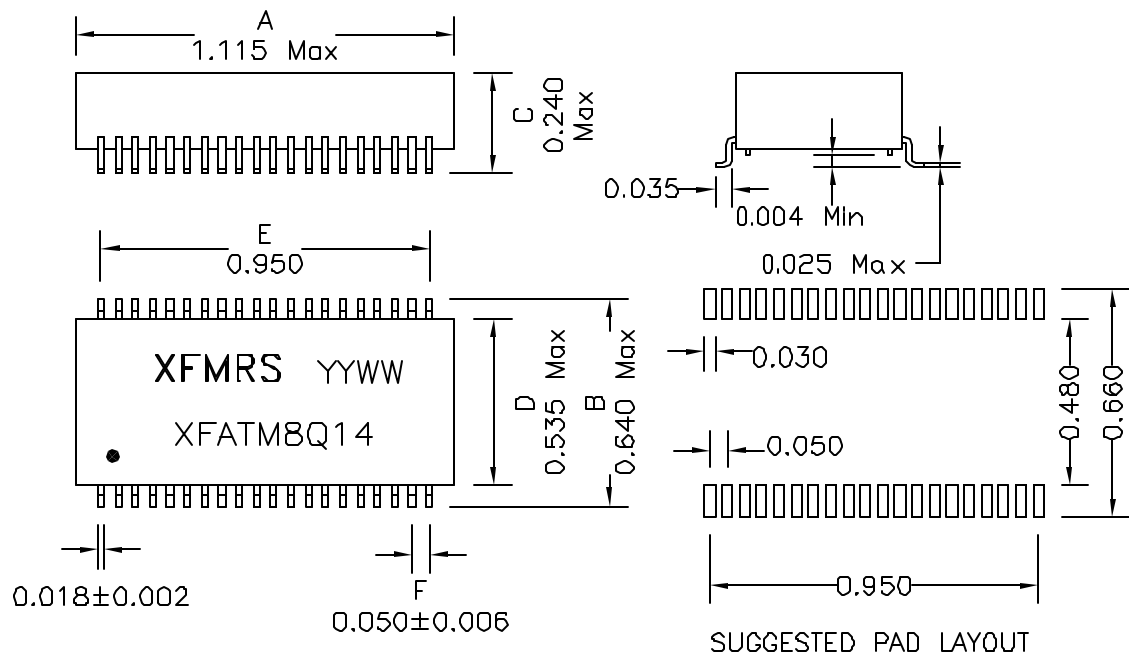
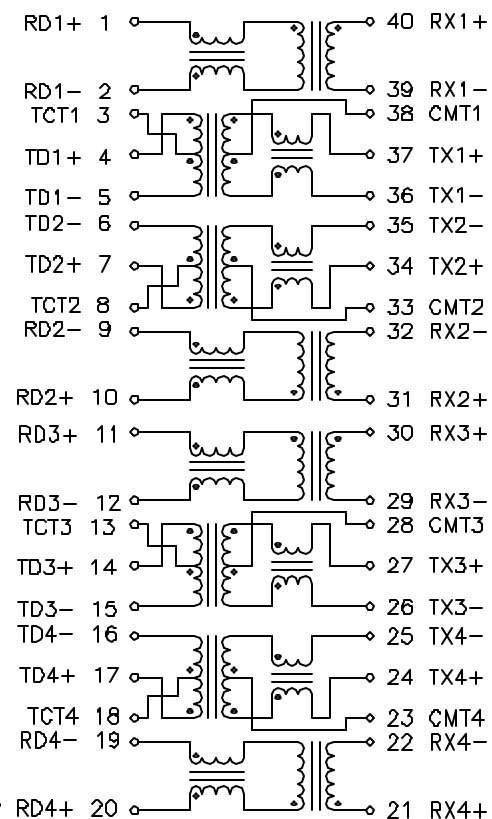


1. Mechanical Dimensions:



2. Schematic:



3. Electrical Specifications: @25°C

Turns Ratio: PRI/SEC TX 1CT:1CT ±3% RX 1:1 ±3%
 Isolation Voltage: 1500 Vrms (Input to Output)
 OCL: 350uH Minimum @100KHz, 100mV 8mADC
 INSERTION LOSS: -0.5dB Typ @0.1-100MHz
 RETURN LOSS: @2-30MHz -21dB Typ.
 @40MHz -17dB Typ. @50MHz -14.5dB Typ.
 @60-80MHz -12dB Typ.
 CROSSTALK: -65dB Typ. @1MHz
 -55dB Typ. @30MHz
 -45dB Typ @60MHz
 -35dB Typ. @100MHz
 CMRR: -30dB Typ. @100KHz-80MHz
 Differential to Common Mode Rejection:
 -40dB Typ. @100KHz-60MHz -30dB Typ. @60MHz-200MHz

Notes:

- Solderability: Leads shall meet MIL-STD-202, Method 208B for solderability.
- Flammability: UL94V-0
- ASTM oxygen Index > 28%
- Insulation System: Class F 155°C. UL file E151558
- Operating Temperature Range: All listed parameters are to be within tolerance from -40°C to +85°C
- Storage Temperature Range: -55°C to +125°C
- Aqueous wash compatible
- SMD Lead Coplanarity: ±0.004"(0.102mm)
- Moisture Sensitivity: Level 3
- Electrical and mechanical specifications 100% tested
- RoHS Compliant Component

XFMRS Inc www.XFMRS.com		Title: Quad Port 10/100BASE-TX Module	
UNLESS OTHERWISE SPECIFIED TOLERANCES: .xxx ±0.010 Dimensions in INCH		P/N: XFATM8Q14	REV. A
		DWN. 罗振江	Aug-15-05
SHEET 1 OF 1		CHK. 廖玉坤	Aug-15-05
		APP. BW	Aug-15-05

DOC REV: A/12