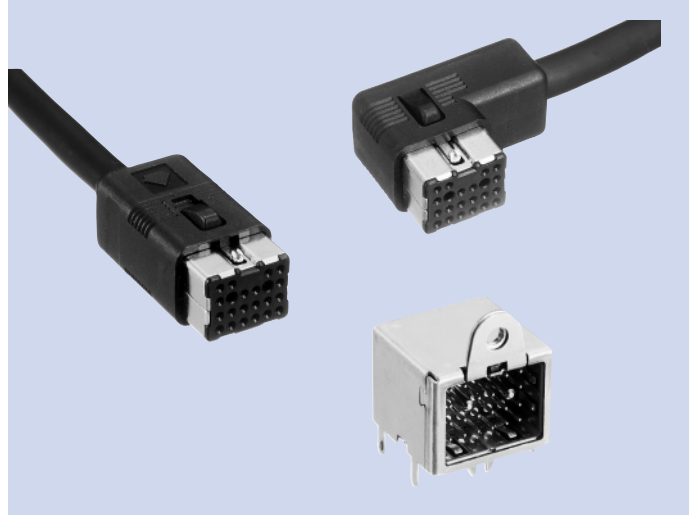


Rectangular Connectors

IAM-C11 · C84, CAM-C12 Series

FEATURES

1. The 20-pin external interface connector IAM-C11 is a cable assembly straight socket. IAM-C84 is a cable assembly L socket. CAM-C12 is an angle dip plug.
2. Two types of plugs with a plug in/unplug frequency life of 5,000 times and 200 times respectively are available and both use a one-touch locking mechanism. In addition, the width has been reduced and the area occupied by the circuit board reduced. Occupation ratio : Approx. 54% (MITSUMI comparison)



HOW TO ORDER

1. IAM-C11 Series

C11-020-2437A

- 1 Series No.
- 2 No. of contacts (020 : 20pins)
- 3 Product Specifications

2. IAM-C84 Series

C84-020-2946A

- 1 Series No.
- 2 No. of contacts (020 : 20pins)
- 3 Product Specifications

3. CAM-C12

C12-020-02 0-□ □ B A A-□

- 1 Series No.
- 2 No. of contacts (020 : 20pins)
- 3 Housing material (02 : PBT resin)
- 4 UL grade (0 : UL94V-0)
- 5 Connector plating types (A : Gold, H : Solder plating)
- 6 Contact pin plating thickness (G : Gold plating 0.3μ, I : Solder plating 1μ)
- 7 Contact style (B : Angle)
- 8 Accessories (A : None)
- 9 Accessories (A : None)
- 10 Shield case flange (A : without, B : with)

SPECIFICATIONS

ELECTRICAL CHARACTERISTICS

Rated Voltage	14V DC
Rated Current	1A
Withstanding Voltage	500V AC (rms) 1minute
Insulation Resistance	100MΩ min. (at 500V DC)
Contact Resistance	30mΩ max.

MECHANICAL CHARACTERISTICS

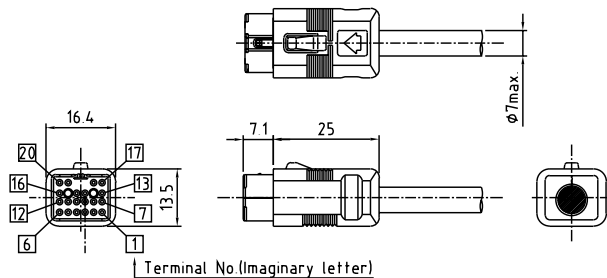
Life (Matching Cycle)	5000, 200 (2 type)
Total Insertion Force	49N (5kgf) min.
Total Withdrawal Force	3~49N (0.3~5kgf)
Using Temperature Range	-30~+85°C

MATERIAL & FINISH

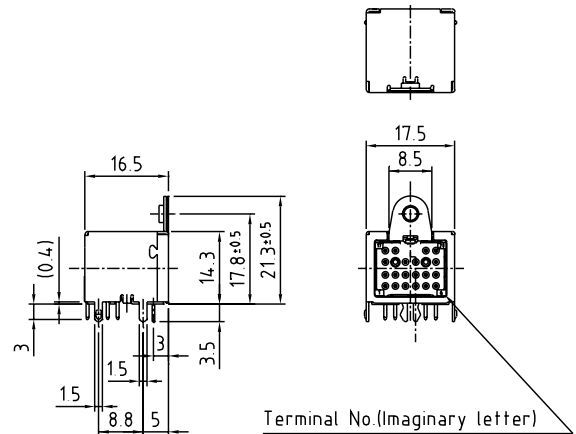
Component Parts	Material	Finish
IAM-C11, IAM-C84 Series	Housing	PBT resin
	Contact	Copper Alloy
	Shielded Case	Steel
	Case	PBT resin
	Locks	Copper Alloy
	Cord Clamper	Aluminum
CAM-C12 Series	Housing	PBT resin
	Contact	Copper Alloy
	Shielded Case	Copper Alloy
	Shielded Cover	Steel

DIMENSIONS

IAM-C11 Series (20pins)



CAM-C12 Series (20pins)



IAM-C84 Series (20pins)

