

Features

- ▶ Direct connection to PIR sensor elements
- ▶ Temperature measurement
- ▶ Differential PIR Input
- ▶ Digital Signal Processing (DSP)
- ▶ Single wire serial interface (DOCI™)
- ▶ Operating voltage down to 2.7V
- ▶ Low current consumption
- ▶ High dynamic range
- ▶ High supply rejection

Applications

- ▶ Integration with PIR sensor elements (hybrid modules)
- ▶ Gas sensors
- ▶ High end PIR systems

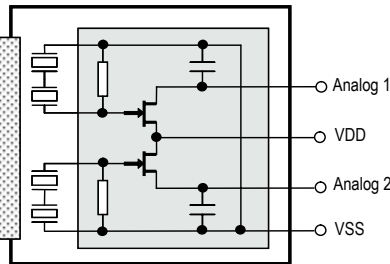
General Description

The E910.62 integrated circuit is designed for interfacing Passive Infra Red (PIR) sensors with micro-controllers or processors. A single wire Data Out, Clock In (DOCI) interface is provided for interfacing with a micro-controller. Multiple devices can easily be operated at the same time. Up to two PIR sensors elements connect directly to the PIR inputs. The PIR signal is converted to a 14 bit digital value. The E910.62 contains an on chip temperature measurement circuit with a resolution of better than 0.1K. The PIR sensor voltages and the temperature value are supplied to an external microcontroller through the DOCI interface.

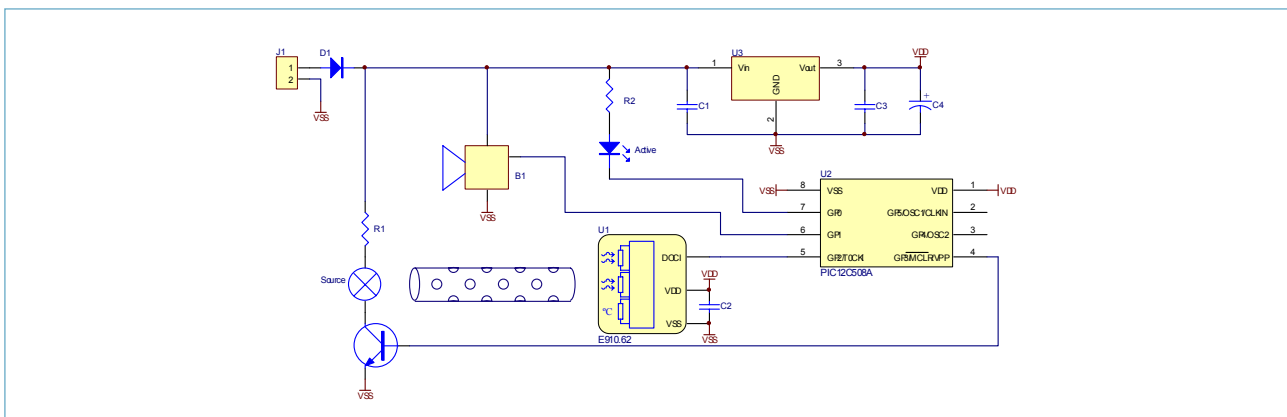
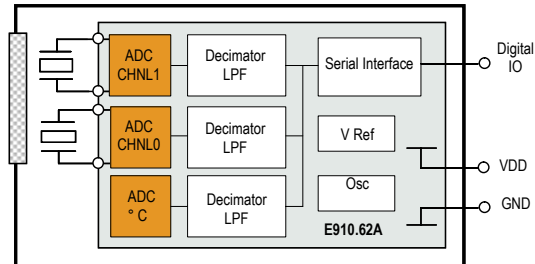
Digital Sensor Assembly with E910.62

The E910.62 PIR Signal processor replaces the JFETs and optional discrete components. The pin count of the detector is reduced to 3 pins.

Traditional analog PIR detector



New digital PIR detector



Typical application circuit for gas sensor

This document contains information on a pre-production product. EL MOS Semiconductor AG reserves the right to change specifications and information herein without notice.

Electrical Characteristics

Absolute Maximum Ratings

Parameter	Symbol	Min	Max	Unit	Remarks
Supply Voltage	V_{DD}	-0.3	3.6	V	
Current into any pin		-100	100	mA	One pin at a time
Storage Temperature	T_{st}	-45	125	°C	

Stresses beyond those listed above may cause permanent damage to the device. Exposure to absolute maximum ratings may affect the device reliability.

ESD protection: all pins will be able to withstand a discharge of a 100pF capacitor charged to 1.6kV through a 1500Ω series resistor. Test method: MIL-STD-883D method 3015.

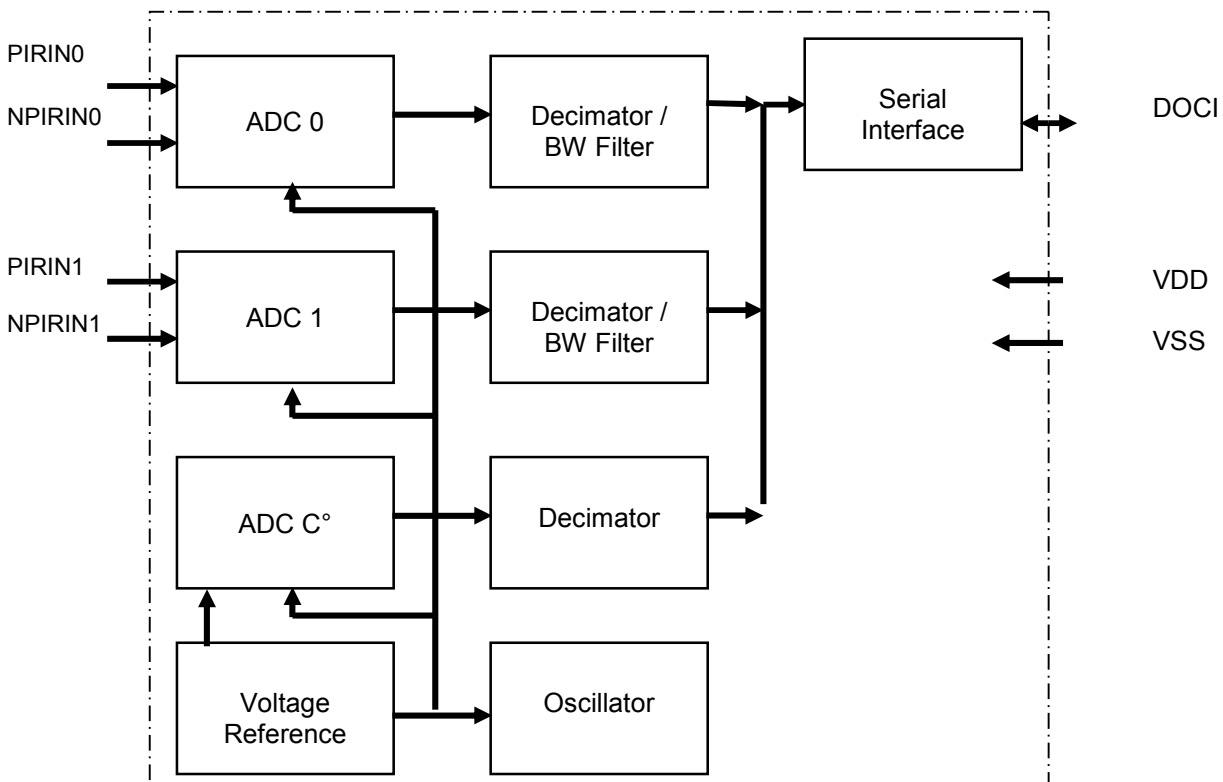
Operating Conditions ($T=25^{\circ}\text{C}$, $V_{DD}=3\text{V}$ unless stated otherwise)

Operating temperature range: -25 to $+70^{\circ}\text{C}$

Parameter	Symbol	Min	Typ	Max	Unit	Remarks
Supply						
Supply voltage	V_{DD}	2.7	3.3	3.6	V	
Supply current	I_{DD}		13.5	18	μA	$V_{DD}=3.3\text{V}$
Digital DOCI interface						
Input low voltage	V_{IL}			20	% V_{DD}	
Input high voltage	V_{IH}	80			% V_{DD}	
Pull down current			200		μA	IN/Out to V_{DD}
Pull up current			130		μA	IN/Out to V_{SS}
Input capacitance			5		pF	
Data setup time	t_s	2			$1/F_{CLK}$	
Data clock low time	t_L	200			ns	
Data clock high time	t_H	200			ns	
Data bit settling time	t_{bit}	1			μs	$C_{LOAD} = 10\text{pF}$
Serial Interface update time	T_{REP}		512		$1/F_{CLK}$	
Analog Inputs PIR+, PIR-, Analog to Digital Converter						
Input leakage		-1		1	fA	$V_{IN} = -10\text{mV} \dots +10\text{mV}$
PIRIN input voltage range		-50		50	mV	Differential
		-100		100	mV	Common Mode
ADC Resolution			14		Bits	Max Count = $2^{14}-1$
ADC Sensitivity		6	6.5	7.1	μV/count	
ADC Temperature Coefficient		-300		300	ppm/K	
RMS output noise referred to input			2.5		μV	@ 0.5Hz
			1.5		μV	@ 1Hz
			0.5		μV	@ 2Hz
			0.4		μV	@ 5Hz
ADC Offset		7000	8192	9200	counts	
Digital Filter Type & Cut off Freq.	F_0	$F_{CLK} * 1.41 / 2048 / \text{PI}$			Hz	2^{nd} Order BW LPF
Digital Filter Sampling Freq.	F_S		1/32		F_{CLK}	
DOCI Interrupt cycle	T_I		512		$1/ F_{CLK}$	

Temperature Measurement						
Measurement Range		-20		+90	°C	
Resolution		72	80	88	Counts/K	
Linearity		-5		5	%	-20°C to +90°C
Count Value at Ambient		5700	6700	7700	Counts	@ 25°C
Oscillator						
Internal Oscillator Frequency	F_{OSC}		70		kHz	
Internal clock frequency	F_{CLK}		$F_{CLK}/2$			
Temperature Dependency		-500		500	ppm/k	-20°C to +80°C

Detailed Description



Oscillator

The IC contains an on chip low power oscillator, with a frequency of 70 kHz. All time related signals and the cutoff frequencies of the digital filters are related to the oscillator's frequency.

PIR Inputs and A/D Conversion

The analog to digital converter generates a digital signal from the voltage level measured between the PIRIN and NPIRIN terminals.

The output signal from the ADC is converted to a 14 bit value by down sampling to $F_{clk}/32$.

Temperature Measurement

The on chip temperature is measured by converting the temperature dependent voltage of the reference to a digital value with a resolution of better than 0.05K.

This document contains information on a pre-production product. EL MOS Semiconductor AG reserves the right to change specifications and information herein without notice.

Parallel to Serial Data Latch

New data is transferred from the decimators to the serial interface every 32 system clocks, if the DOCI output is at low level and not active (being read). If the micro controller reads the register faster than the update rate of the filter, the data read is "0".

The E910.62 generates an interrupt every 512 system clock cycles, if the microcontroller reads all 42 bits within 32 system clock cycles. The interrupt is indicated by the E910.62 by pulling DOCI high.

The microcontroller must wait for 1us. It then generates a low to high transition on the DOCI line, before it samples the data bit. The first bit read is the MSB. This process is repeated until all 42 bits have been read. After the last bit is

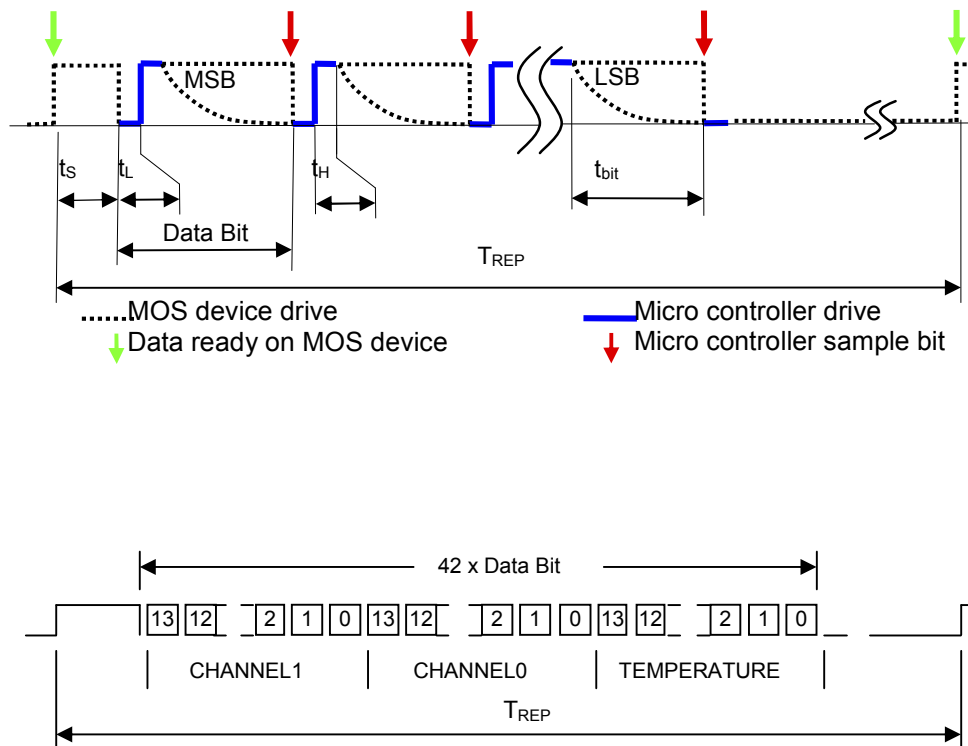
read, the microcontroller must force low level and subsequently release DOCI.

If reading is interrupted for more than 32 system clocks with the DOCI interface at low level, the output data latch is updated with new values. Reading can be interrupted, while the DOCI interface is forced high. The output latch is not updated in this condition.

The E910.62 accepts readout with μC defined timing. The interrupt signal can be ignored and reading frequency can be up to $F_{CLK}/64$. In this mode, the μC has to force DOCI to a high level for the duration of 3 device clock cycles ($3/F_{CLK}$) and subsequently read out the data bits as described in the timing diagram below.

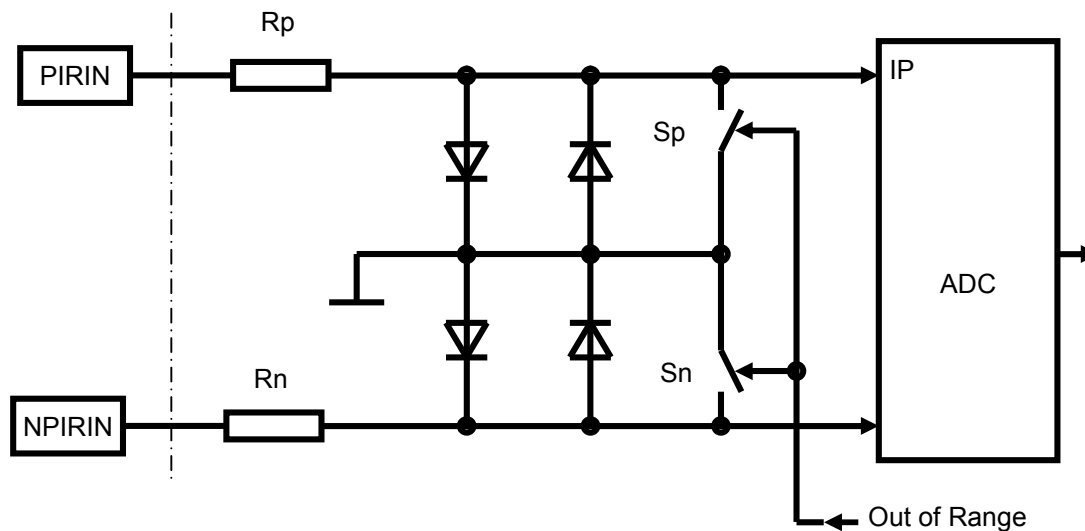
The readout can be terminated at any time by forcing the DOCI interface to low level and release it thereafter.

DOCI Interface



$T_{REP} = 512$ system clocks

ADC Input Stage

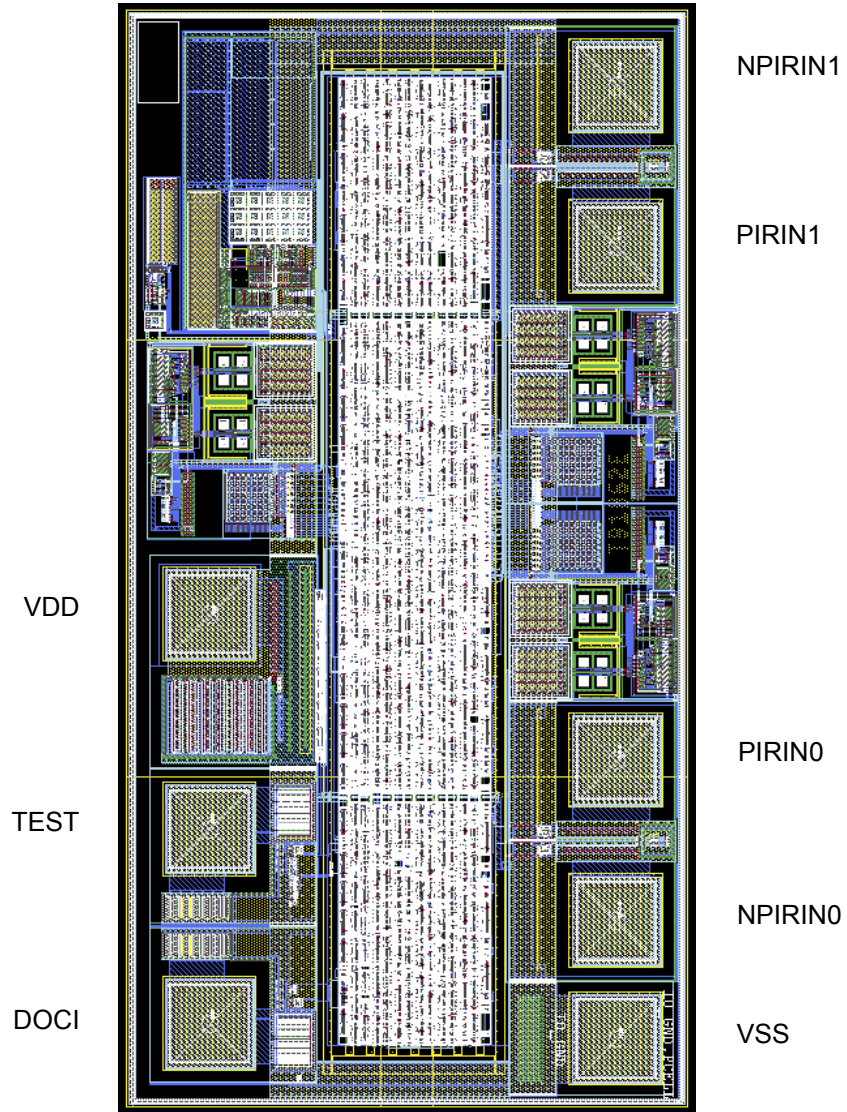


Out of Range Detection

The dynamic range of the ADC Input stage is approximately $\pm 50\text{mV}$. To avoid saturation, the E910.62 contains out of range detection logic, which detects values above 15872 (97% of range) and below 511 (3% of range). If the values are outside this range, the switches S_p and S_n are closed for the duration of 512 system clocks. This ensures fast settling after disturbances.

The input impedance of the actual ADC (IP / IN) is practically infinite.

Pad Positions



Contact Information

Microsystems On Silicon (Pty) Ltd.
 Pretoria, South Africa
 Tel: +27 (12) 3488367
 Fax: +27 (12) 3481790
 email: sales@mos.co.za
 Visit our website for the latest information

This document contains information on a pre-production product. ELMOS Semiconductor AG reserves the right to change specifications and information herein without notice.

WARNING – Life Support Applications Policy

ELMOS Semiconductor AG is continually working to improve the quality and reliability of its products. Nevertheless, semiconductor devices in general can malfunction or fail due to their inherent electrical sensitivity and vulnerability to physical stress. It is the responsibility of the buyer, when utilizing ELMOS Semiconductor AG products, to observe standards of safety, and to avoid situations in which malfunction or failure of an ELMOS Semiconductor AG Product could cause loss of human life, body injury or damage to property. In development your designs, please ensure that ELMOS Semiconductor AG products are used within specified operating ranges as set forth in the most recent product specifications.

General Disclaimer

Information furnished by ELMOS Semiconductor AG is believed to be accurate and reliable. However, no responsibility is assumed by ELMOS Semiconductor AG for its use, nor for any infringements of patents or other rights of third parties, which may result from its use. No license is granted by implication or otherwise under any patent or patent rights of ELMOS Semiconductor AG. ELMOS Semiconductor AG reserves the right to make changes to this document or the products contained therein without prior notice, to improve performance, reliability, or manufacturability.

Application Disclaimer

Circuit diagrams may contain components not manufactured by ELMOS Semiconductor AG, which are included as means of illustrating typical applications. Consequently, complete information sufficient for construction purposes is not necessarily given. The information in the application examples has been carefully checked and is believed to be entirely reliable. However, no responsibility is assumed for inaccuracies. Furthermore, such information does not convey to the purchaser of the semiconductor devices described any license under the patent rights of ELMOS Semiconductor AG or others.

Contact Information**Headquarters**

ELMOS Semiconductor AG

Heinrich-Hertz-Str. 1 • D-44227 Dortmund (Germany)

Phone: +492317549100

E-Mail: sales@elmos.de

Internet: www.elmos.de

Regional Sales and Application Support Office Munich

ELMOS Semiconductor AG

Am Geflügelhof 12 • 85716 Unterschleißheim/Eching

Phone: +49893183700

Sales Office France

ELMOS FRANCE SAS

9/11 allée de l'Arche • La Défense • 92671 Courbevoie cedex (France)

Phone: +33149971591

Sales and Application Support Office North America

ELMOS NA. Inc.

32255 Northwestern Highway, Suite 45 • Farmington Hills, MI 48334

Phone: +12488653200

Sales and Application Support Office Korea and Japan

ELMOS Korea

Dongbu Root building, 16-2, Suite 509, • Sunae-dong, Bundang-gu, Seongnam-shi, Kyonggi-do (Korea)

Phone: +82317141131

Sales and Application Support Office China

ELMOS Semiconductor Technology (Shanghai) Co., Ltd.

57-01E, Lampl Business Centre, 57F, The Exchange • 1486 Nanjing W Rd. (299 Tongren Rd) • JingAn Shanghai • P.R.China 200040

Phone: +862161717358

Sales and Application Support Office Singapore

ELMOS Semiconductor Singapore Pte Ltd.

60 Alexandra Terrace • #09-31 The Comtech • Singapore 118502

Phone: +6566351141

© ELMOS Semiconductor AG, 2011. Reproduction, in part or whole, without the prior written consent of ELMOS Semiconductor AG, is prohibited.