



TAI-SAW TECHNOLOGY CO., LTD.

No. 3, Industrial 2nd Rd., Ping-Chen Industrial District,
Taoyuan, 324, Taiwan, R.O.C.

TEL: 886-3-4690038 FAX: 886-3-4697532

E-mail: tstsales@mail.taisaw.com Web: www.taisaw.com

Approval Sheet For Product Specification

Issued Date:

Product Name: SAW Filter 462.5375MHz SMD3.8X3.8mm

TST Parts No.: TA0475A

Customer Parts No.: _____

Company: _____
Division: _____
Approved by : _____
Date: _____

Checked by: _____ Asin Lin

Approval by: _____ Francis Chen

Date: _____ 2005/7/04



TAI-SAW TECHNOLOGY CO., LTD.

No. 3, Industrial 2nd Rd., Ping-Chen Industrial District,
Taoyuan, 324, Taiwan, R.O.C.

TEL: 886-3-4690038 FAX: 886-3-4697532

E-mail: tstsales@mail.taisaw.com Web: www.taisaw.com

SAW Filter 462.5375 MHz

MODEL NO.: TA0475A

REV. NO.:1

A. MAXIMUM RATING:

1. Input Power Level: 0 dBm
2. DC voltage: 5 V
3. Operating Temperature: -40°C to +85°C
4. Storage Temperature: -40°C to +85°C

RoHS Compliant
Lead free
Lead-free soldering

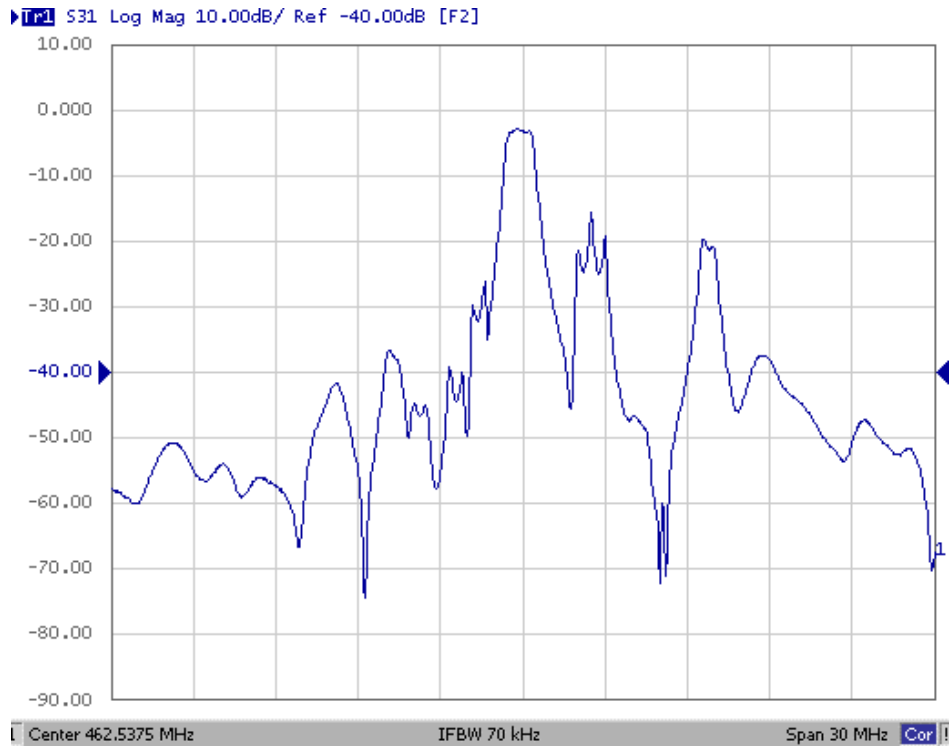
B. ELECTRICAL CHARACTERISTICS:

TA= -40°C to +85°C

Item	Min.	Typ.	Max.	Note
Center frequency F_c (MHz)	-	462.5375	-	1
Minimum I.L. (dB) IL_{min}	-	3	4	
Pass band (relative to IL_{min}) 462.2875~462.7875 MHz (dB)	-	1	3	1
Pass bandwidth (relative to IL_{min}) BW_3 (KHz)	500	950	-	
Attenuation:(relative to IL_{min}) (dB) 10~437.46 MHz (dB)	40	46	-	
437.46~448.26 MHz (dB)	40	45	-	
448.26~461.0 MHz (dB)	15	25	-	
464.2~473.6 MHz (dB)	10	16	-	
473.6~485.6 MHz (dB)	38	42	-	1
485.6~1000 MHz (dB)	40	45	-	

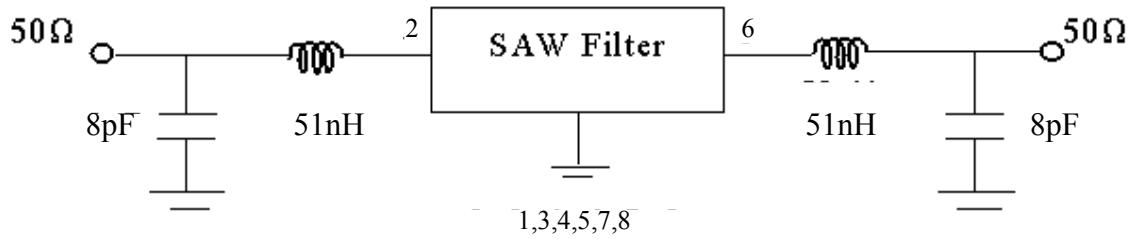
Note1. The standard definitions is in JIS C 6703

C. FREQUENCY CHARACTERISTICS:

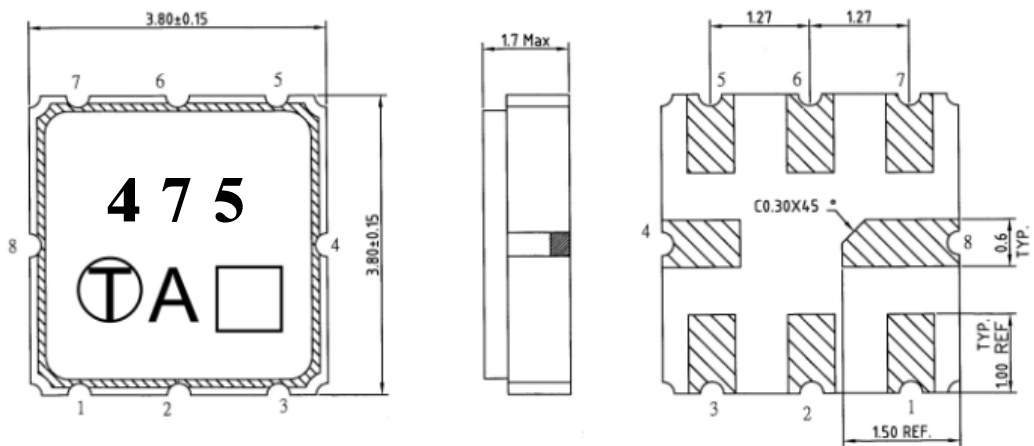


D. MEASUREMENT CIRCUIT:

HP Network analyzer

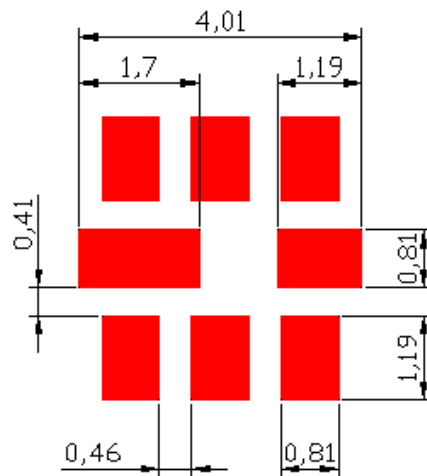


E. OUTLINE DRAWING:



Pin2: Input
 Pin6: Output
 Pin1,3,4,5,7,8 to be ground
 □ : Date code
 Unit : mm

F. PCB FOOTPRINT



G. PACKING:

1. REEL DIMENSION



2. TAPE DIMENSION

