

Card Edge Connectors 0.8mm Pitch



■ Features

1. 0.8mm pitch card edge connector with surface mount type.
2. Contacts are made of Cu Alloy; the contact sections are gold plated; the solder sections are tin plated.

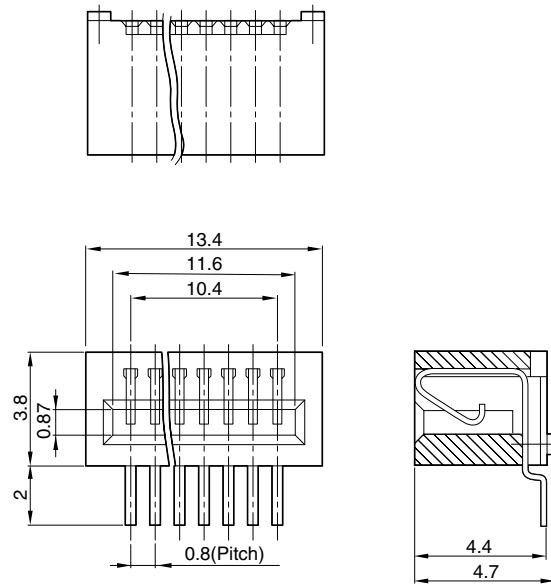
■ Specification

1. Rating : 0.5A, 50V AC
2. Contact Resistance : 20mΩ max.
3. Insulation Resistance : 500Ω min. at 100V DC
4. Withstanding Voltage : 160V AC (for one minute)
5. Operating Temperature Range : -40°C to +70°C
6. Packing : Stick pack (30pcs/stick)

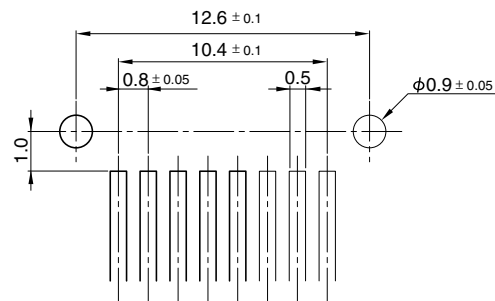
■ Material and Plating

- Housing : Thermoplastic Resin, Black, 94V-0
- Contact : Cu Alloy,
Au Plating (Contact Sections),
Sn Plating (Soldered Sections)

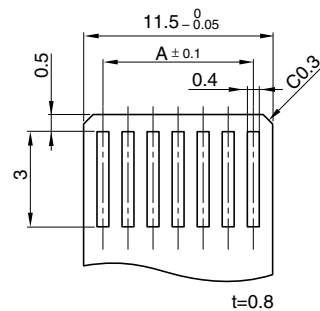
● CEW 9114-0202F



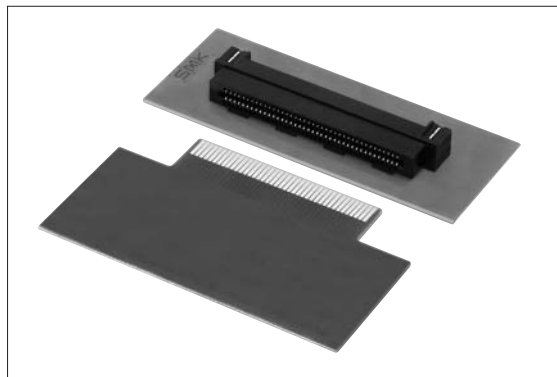
■ P.C. Board Dimension



■ Connection Board Dimension



Card Edge Connectors 1.27mm Pitch



Features

1. 1.27mm pitch card edge connector.
2. Our original contact design successfully reduces PWB insertion force.
3. The PWB thickness is 1.6 ± 0.2 mm.
4. The "hold down" structure allows connectors to be temporarily held to a PWB.
5. Number of pins : 80/100P.

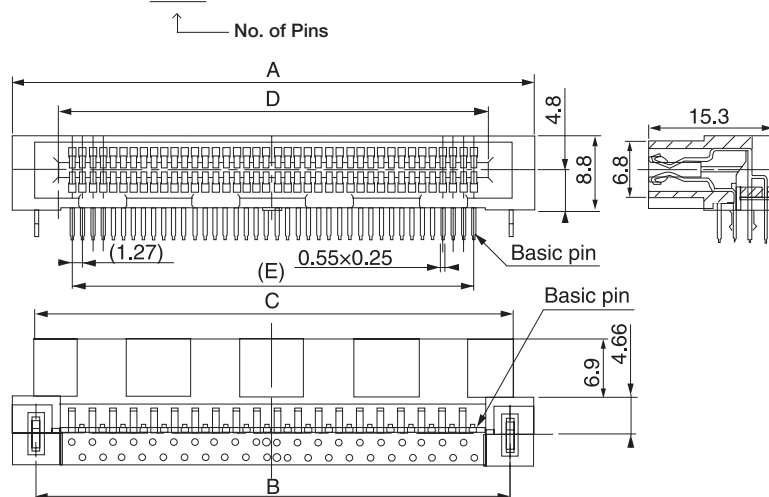
Specification

1. Rating : 1A, 250V AC / 350V DC
2. Contact Resistance : $30m\Omega$ max.
3. Insulation Resistance : $1000M\Omega$ min. at 500V DC
4. Withstanding Voltage : 500V AC (for one minute)
5. Operating Temperature Range : -25°C to $+85^{\circ}\text{C}$

Material and Plating

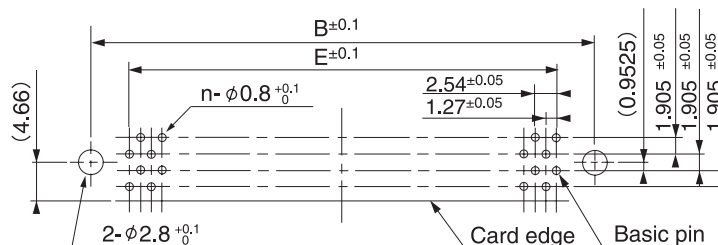
- Housing : Thermoplastic Resin, Black
- Contact : Cu Alloy, Ni Plating / Au Plating
- Hold Down : Cu Alloy, Sn Plating

● CEW 94□□-0101F



No. of Pins	□□	A	B	C	D	E	F
80	80	64.42	58.42	59.01	53.01	49.53	52.91
100	91	77.12	71.12	71.71	65.71	62.23	65.61

■ P.C. Board Dimension



■ Card Edge Layout

