

**52**mm sq.

# San Ace 52

15mm thick (GA type), 15mm thick



## General Specifications

- Material ..... Frame: Plastics (Flammability: UL94V-0),  
Impeller: Plastics (Flammability: UL94V-1)
- Expected Life ..... Refer to specifications (L10:Survival rate:90% at 60°C ,  
rated voltage, and continuously run in a free air state)
- Lead Wire ..... ⊕red ⊖black or blue (Sensor) yellow
- Storage Temperature ..... -30°C to +70°C (Non-condensing)

**52×52×15**mm [Mass : 55g]

## Specifications

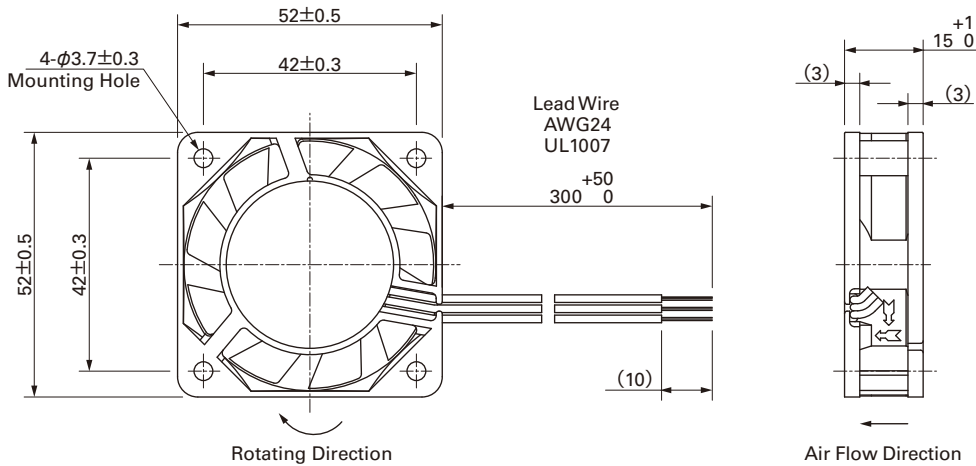
The following nos. **have pulse sensors and ribs.**

Model No.	Rated Voltage [V]	Operating Voltage Range [V]	Rated Current [A]	Rated Input [W]	Rated Speed [min <sup>-1</sup> ]	Max. Air Flow [m <sup>3</sup> /min] [CFM]	Max. Static Pressure [Pa] [inchH <sub>2</sub> O]	SPL [dB(A)]	Operating Temperature [°C]	Expected Life [h]
109P0505M701	5	4.5 to 5.5	0.15	0.75	3,700	0.205 7.24	21.4 0.086	22	-20 to +70	60,000
109P0512A701	12	10.2 to 13.8	0.21	2.52	6,800	0.375 13.25	69.7 0.280	36		40,000
109P0512H701		7 to 13.8	0.10	1.20	4,600	0.255 9.00	31.9 0.128	27		60,000
109P0512M701			0.07	0.84	3,700	0.205 7.24	21.4 0.086	22		
109P0524A701	24	14 to 27.6	0.11	2.64	6,800	0.375 13.24	69.7 0.280	36	-20 to +60	40,000
109P0524H701			0.05	1.20	4,600	0.255 9.00	31.9 0.128	27	-20 to +70	60,000
109P0524M701			0.04	0.96	3,700	0.205 7.24	21.4 0.086	22		

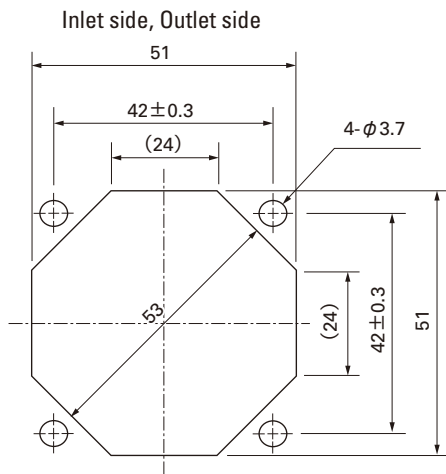
Available options: ⇒ **Without Sensor**

Please inquire as the availability of these functions depend on the model. ⇒ **Lock Sensor**

## Dimensions (Unit : mm)



## Reference dimension of mounting holes and vent opening (Unit : mm)



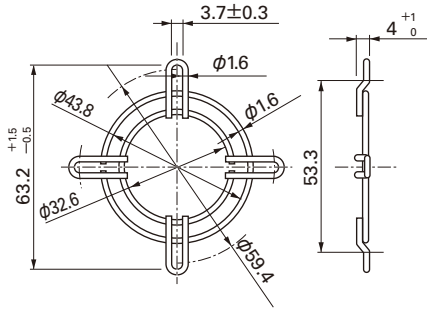
**Options (Unit : mm)**

**Finger guards**

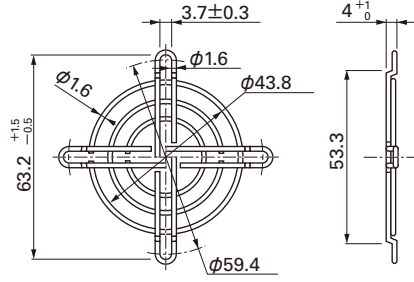
Model : 109-149 Surface treatment : Nickel-chrome plating Color (silver)

Model : 109-149E Surface treatment : Nickel-chrome plating Color (silver)

Outlet side

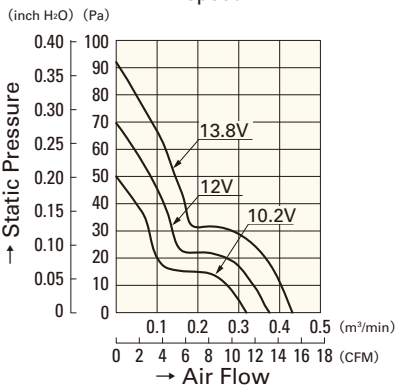


Inlet side, Outlet side



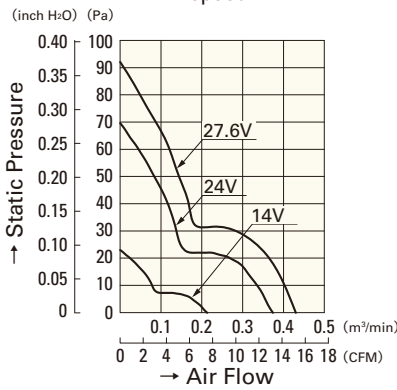
**Air Flow - Static Pressure Characteristics**

A speed



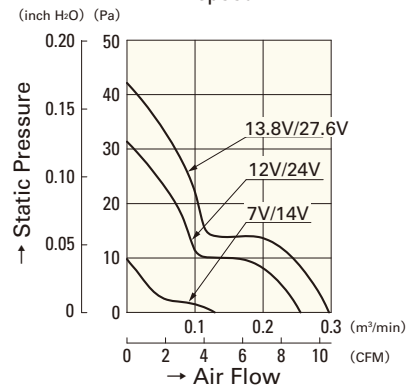
**109P0512A701**

A speed



**109P0524A701**

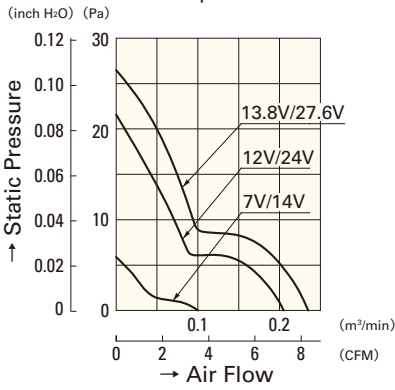
H speed



**109P0512H701**

**109P0524H701**

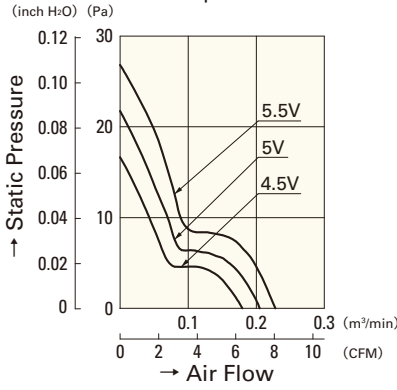
M speed



**109P0512M701**

**109P0524M701**

M speed



**109P0505M701**