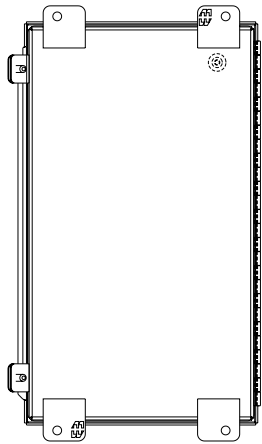


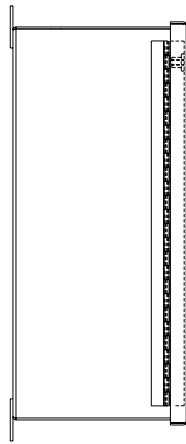
PART No. 1414PHMH6LP

for more information visit  
[www.hammfg.com](http://www.hammfg.com)

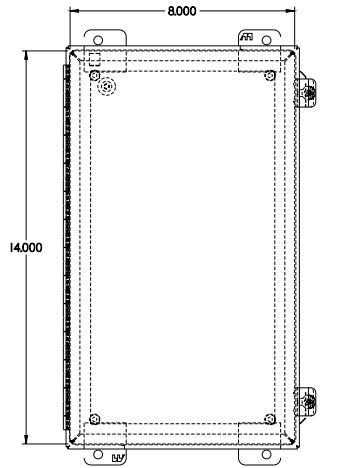
Data subject to change without notice



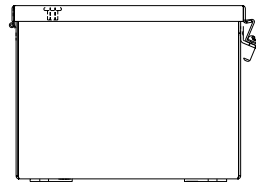
BACK VIEW



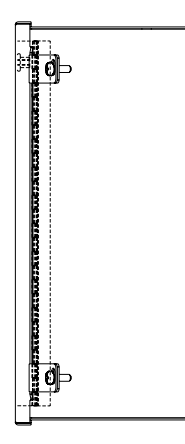
LEFT SIDE VIEW



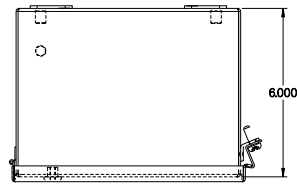
FRONT VIEW



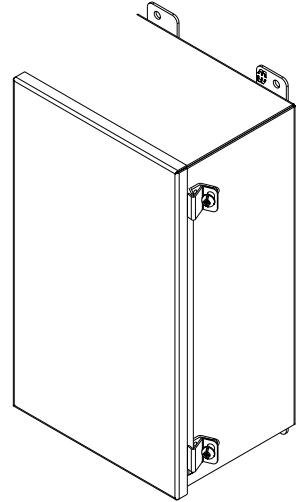
BOTTOM VIEW



RIGHT SIDE VIEW



TOP VIEW



ISOMETRIC VIEW