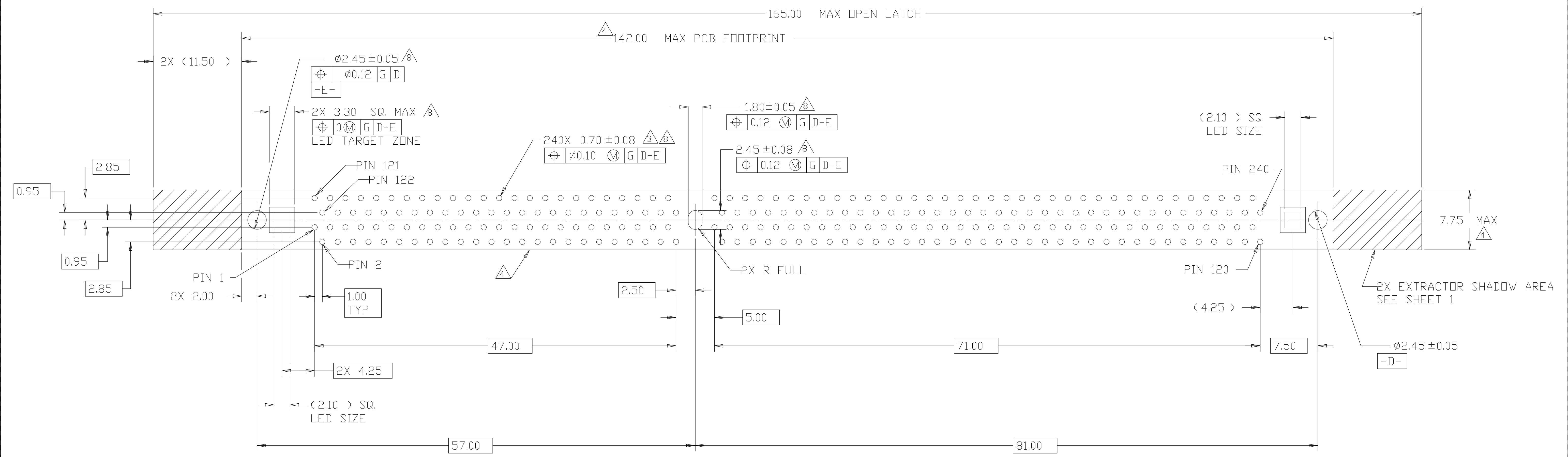


| | | | | | |
|----------------|-----------------|---|---------------------------|-------------|-------------|
| RETENTION BARB | BLACK | BLACK | 0.00076 MIN (30u'') | 2.54 | 7-1932000-6 |
| | NATURAL | BLACK | | 2.54 | 7-1932000-5 |
| | NATURAL | BLUE(2935U) | 0.00038 MIN(15u'') | 2.67 | 7-1932000-2 |
| | NATURAL | PINK(701C) | 0.00008 MIN (3u'', FLASH) | 2.54 | 6-1932000-5 |
| | | BLUE(284C) | | 2.54 | 6-1932000-4 |
| | BLACK | BLACK | 0.00076 MIN (30u'') | 4.00 | 5-1932000-2 |
| | | | | 3.18 | 5-1932000-1 |
| | NATURAL | BLACK | 0.00076 MIN (30u'') | 4.00 | 4-1932000-8 |
| | | | | 3.18 | 4-1932000-7 |
| | | | | 2.67 | 4-1932000-6 |
| | NATURAL | GREEN(368C) BLUE(284C) ORANGE(021C) | 0.00038 MIN (15u'') | 2.67 | 3-1932000-3 |
| | | | | 2.67 | 2-1932000-5 |
| | | | | 2.67 | 2-1932000-1 |
| | BLACK | BLACK | 0.00038 MIN (15u'') | 3.18 | 1-1932000-7 |
| | | | | 2.67 | 1-1932000-6 |
| | NATURAL | BLACK | 0.00008 MIN(3u'') | 4.00 | 1-1932000-5 |
| 3.18 | | | | 1-1932000-1 | |
| NATURAL | NATURAL | 0.00038 MIN (15u'') | 2.67 | 1-1932000-0 | |
| | | | 2.67 | 1932000-7 | |
| | | | 4.00 | 1932000-6 | |
| | | | 3.18 | 1932000-5 | |
| NATURAL | NATURAL | 0.00008 MIN (3u'', FLASH) | 2.67 | 1932000-4 | |
| | | | 4.00 | 1932000-3 | |
| | | | 3.18 | 1932000-2 | |
| | | | 2.67 | 1932000-1 | |
| HOUSING STYLE | EXTRACTOR COLOR | HOUSING COLOR | CONTACT GOLD INTERFACE | TAIL LENGTH | PART NUMBER |

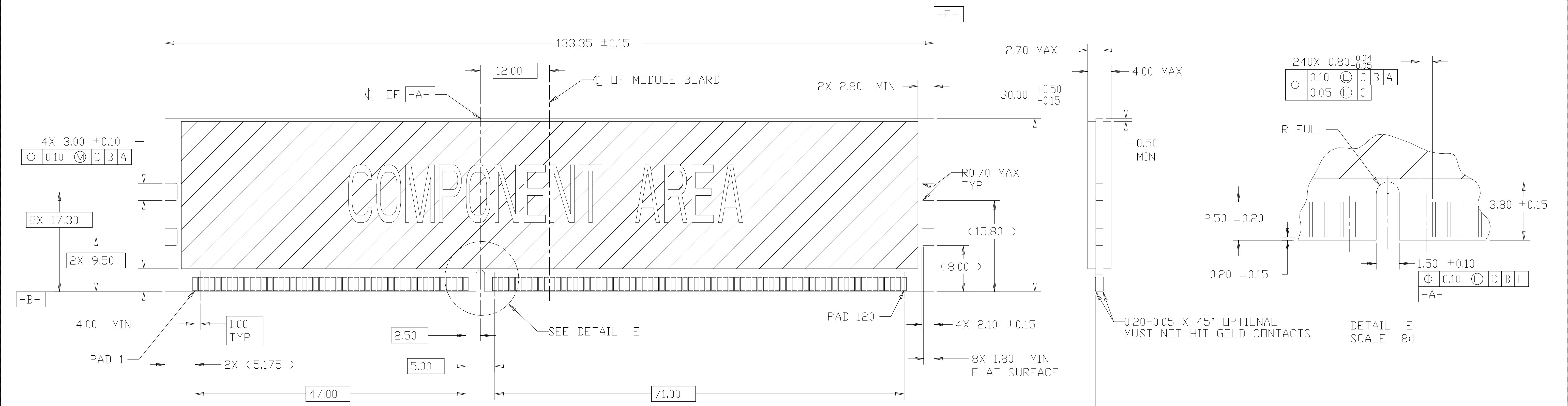
THIS DRAWING IS A CONTROLLED DOCUMENT.

| | | | | |
|----------------|--|---------------------------|-----------|-----------------|
| DIMENSIONS: mm | TOLERANCES UNLESS OTHERWISE SPECIFIED: | DIN LEO ZHOU 28FEB2007 | STE | TE Connectivity |
| 0 PLC ± - | 1 PLC ± 0.5 | CHK STEVEN YAO 28FEB2007 | | |
| 2 PLC ± 0.13 | 3 PLC ± 0.013 | APVD STEVEN YAO 28FEB2007 | | |
| 4 PLC ± 0.0001 | ANGLES ± - | | | |
| MATERIAL | FINISH | SIZE A1 | 00779 | 1932000 |
| | | WEIGHT | | |
| | | CUSTOMER DRAWING | SCALE 4:1 | SHEET 2 OF 4 |

SOCKET ASSEMBLY, VERTICAL DDR3 DIMM, SOLDER TAIL, 240 POSITION

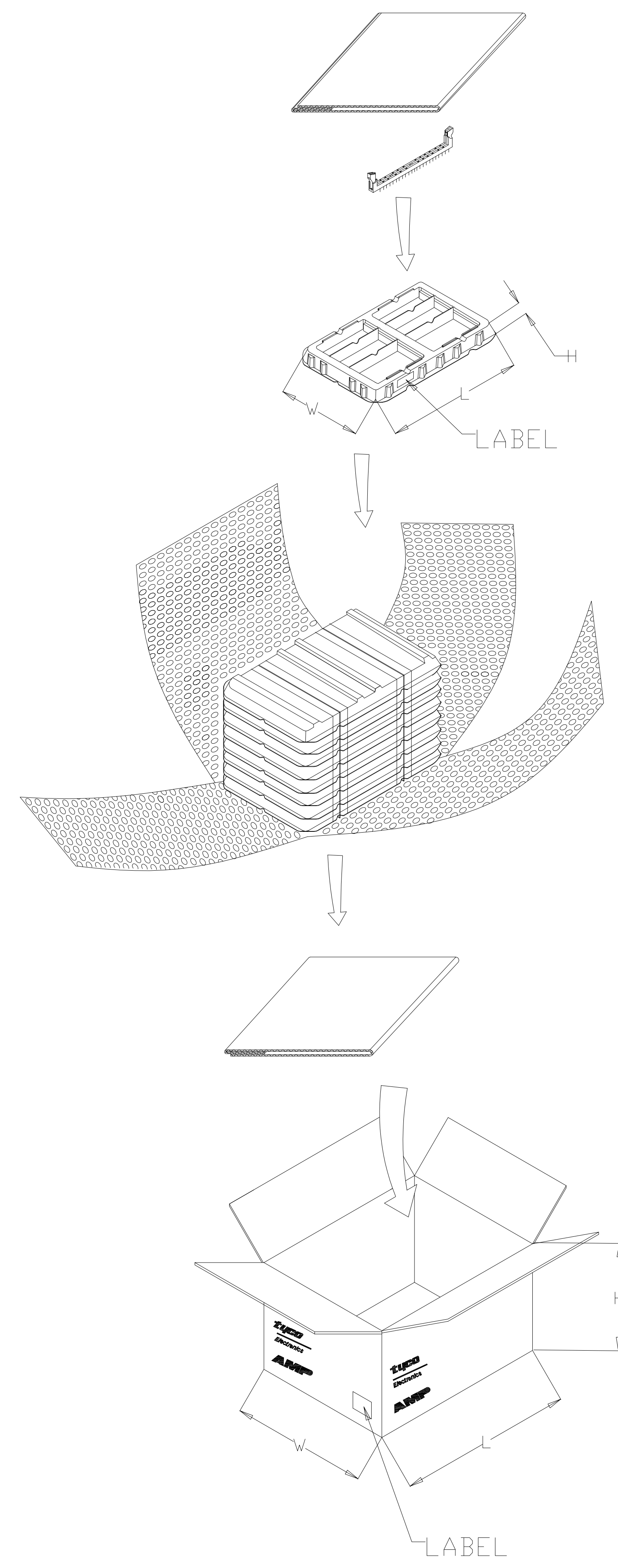


RECOMMENDED PCB LAYOUT
VIEWED FROM CONNECTOR SIDE



RECOMMENDED MODULE LAYOUT
SCALE 3:1
REFER TO JEDEC MO-269 FOR COMPLETE MODULE DETAILS

| | | | | | |
|--|--|------------------|------------|-----------|--|
| THIS DRAWING IS A CONTROLLED DOCUMENT. | | DIN | LEO ZHOU | 28FEB2007 | TE Connectivity |
| | | CHK | STEVEN | 28FEB2007 | |
| | | APPV | STEVEN YAO | 28FEB2007 | NAME |
| | | PRODUCT SPEC | | | SOCKET ASSEMBLY, VERTICAL DDR3 DIMM, SOLDER TAIL, 240 POSITION |
| | | APPLICATION SPEC | | | SIZE |
| | | WEIGHT | | | CAGE CODE |
| | | CUSTOMER DRAWING | | | DRAWING NO |
| | | SCALE 4:1 | | | RESTRICTED TO |



BOTTOM TRAY

TRAY

CARTON

NOTES:

1. MATERIAL:
 - 1.1 TRAY: PVC
 - 1.2 SHIPPING CARTON : CORRUGATED FIBERBOARD
2. DIMENSION :
 - 2.1 TRAY : L=363, W=255, H=33
 - 2.2 SHIPPING CARTON : L=375, W=265, H=280
3. QUANTITY :
 - 3.1 PRIMARY PACKING : 50 PCS/TRAY
 - 3.2 SECONDARY PACKING : 8 TRAY/CARTON(400PCS)
4. WEIGHT :
 - 4.1 NET WEIGHT : 3.76 KG
 - 4.2 GROSS WEIGHT: 6.00 KG

| | | | | | |
|--|--|------------------|------------|-----------|--|
| THIS DRAWING IS A CONTROLLED DOCUMENT. | | DIN | LEO ZHOU | 28FEB2007 | TE Connectivity |
| | | CHK | STEVEN | 28FEB2007 | |
| | | APVD | STEVEN YAO | 28FEB2007 | NAME |
| | | PRODUCT SPEC | | | SOCKET ASSEMBLY, VERTICAL DDR3 DIMM, SOLDER TAIL, 240 POSITION |
| | | APPLICATION SPEC | | | RESTRICTED TO |
| | | SIZE | A1 | 00779 | DRAWING NO |
| | | WEIGHT | | 1932000 | |
| | | CUSTOMER DRAWING | | | SCALE |
| | | SHEET 4 OF 4 | | | REV H7 |