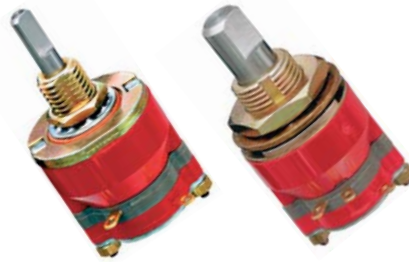


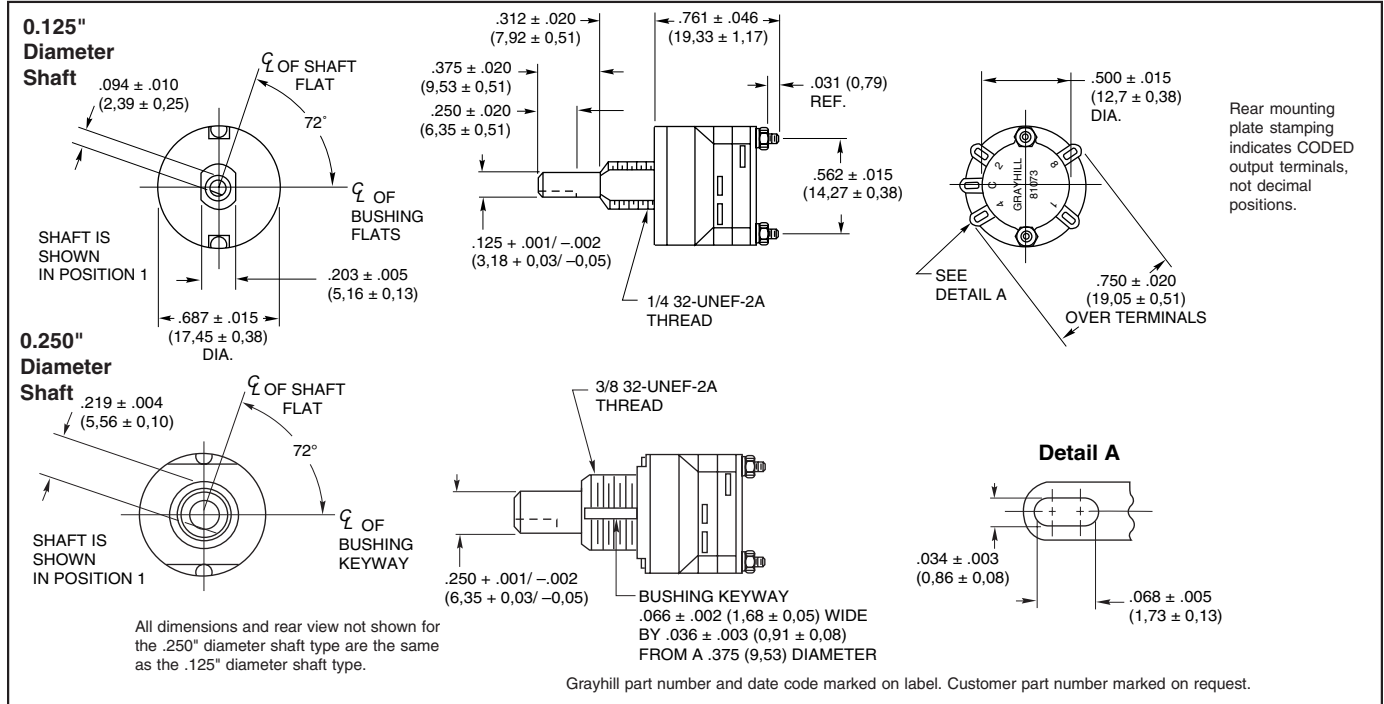
SERIES 71
Binary Code

FEATURES

- 1/4" or 1/8" Shaft Diameters
- 25,000 Cycles at 125 mA
- Optional Seal Versions
- Adjustable Stop Versions



DIMENSIONS In inches (and millimeters)



Rear mounting plate stamping indicates CODED output terminals, not decimal positions.

Optical and Mechanical Encoders

CODE AND TRUTH TABLE

Output Terminal	0	1	2	3	4	5	6	7	8	9
1		*	*	*	*	*	*	*	*	*
2			*	*	*	*	*	*	*	*
4				*	*	*	*	*	*	*
8									*	*

I Indicates contact is made to the common.

SPECIFICATIONS

Electrical Rating

Rated: To make and break 125 mA at 30 Vdc resistive at standard conditions

Life Expectancy: 25,000 cycles at rated load; 50,000 cycles mechanical. For ratings at different loads and conditions, contact Grayhill.

Contact Resistance: 100 milliohms maximum (50 milliohms initially)

Insulation Resistance: As measured between mutually insulated parts

Initially: 50,000 megohms minimum

After Life: 10,000 megohms minimum

Voltage Breakdown: 500 Vac between mutually insulated parts

Carry Current: These switches will carry 3 amperes with a maximum contact temperature rise of 20°C.

OPTIONS

Shaft and Panel Seal

Shaft is sealed by o-ring inside the bushing; panel is sealed by o-ring at the base of the bushing. Seals do not alter dimensions as shown in the drawing when switch is mounted. Panel seal is silicone rubber. Shaft seal is an o-ring per MIL-P-5516B. Shaft and panel seal is not available on adjustable stop switch.

Additional Characteristics

Rotational Torque: 8 to 16 oz-in.

Contacts: Non-shorting wiping contacts

Shaft Flat Orientation: As shown in the drawing, switch would provide a decimal 1 output.

Materials and Finishes

Base: Diallyl per MIL-M-14

Rotor Mounting Plate: Thermoplastic.

Rotor Contact: Phosphor Bronze, gold-plated 30 microinches minimum

Terminals: Brass, gold plate (20 microinches) minimum over silver plate (300 microinches) minimum

Additional Materials: Other switch materials and finishes are the same as listed for the standard switch. See Standard Switch.

Adjustable Stop Switches

Adjustable stop switch lets you limit the number of positions. Remove and relocate pins in the front plate. A sticker holds the pins in place. With the exception of holes in the front plate, all dimensions, ratings, and characteristics are the same as the other Series 71 coded switches. For diagrams, see Standard Switch.

ORDERING INFORMATION

Shaft Diameter And Description	Part Number
1/8" Continuous Rotation	71AY23401
1/8" Cont. Rot., Sealed	71AY23402
1/4" Continuous Rotation	71BY23403
1/4" Cont. Rot., Sealed	71BY23404
1/8" Adjustable Stops	71AD36-3118
1/4" Adjustable Stops	71BD36-3119

Available from your local Grayhill Distributor. For prices and discounts, contact a local Sales Office, an authorized local Distributor or Grayhill.