

Em104P-i2904



Intel® Atom™ N455 or D525 PC/104-Plus CPU Module



Features

- **Fanless Design**
- Soldered Onboard Intel® Atom™ N455 Processor
- Dual Gigabit Ethernet Ports
- 18-bit LVDS and Analog RGB
- **Extended Operating Temp.: -20 ~ 70°C**

System

CPU	Soldered onboard Intel® Atom™ N455 1.6GHz/ D525 1.86GHz processor
Memory	Soldered onboard 1GB DDR3 SDRAM
Chipset	Intel® ICH8M
BIOS	AMI PnP Flash BIOS
Watchdog Timer	1 ~ 255 levels reset

I/O

I/O Chipset	Fintek F71869
Serial Port	2 x RS-232 ports (TX/RX only)
USB Port	2 x USB 2.0 ports
KB/MS	6-pin wafer connector for keyboard and mouse (PS/2 standard via Y-cable)
Expansion Bus	PC/104-Plus interface
Storage	1 x Serial ATA port with 300MB/s HDD transfer rate 1 x CompactFlash Type II socket
Ethernet Chipset	2 x Intel® 82583V PCIe GbE controllers

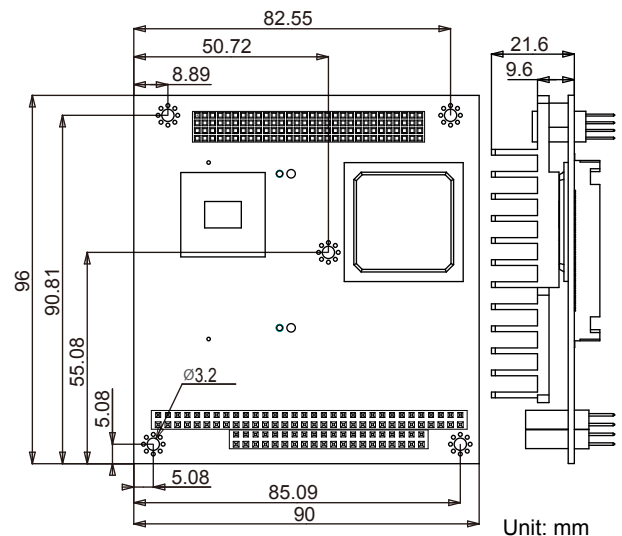
Display

Graphics Chipset	Integrated Intel® Graphics Media Accelerator 3150
Graphics Interface	Analog RGB supports resolution up to 2048 x 1536 LCD: Single channel 18-bit LVDS

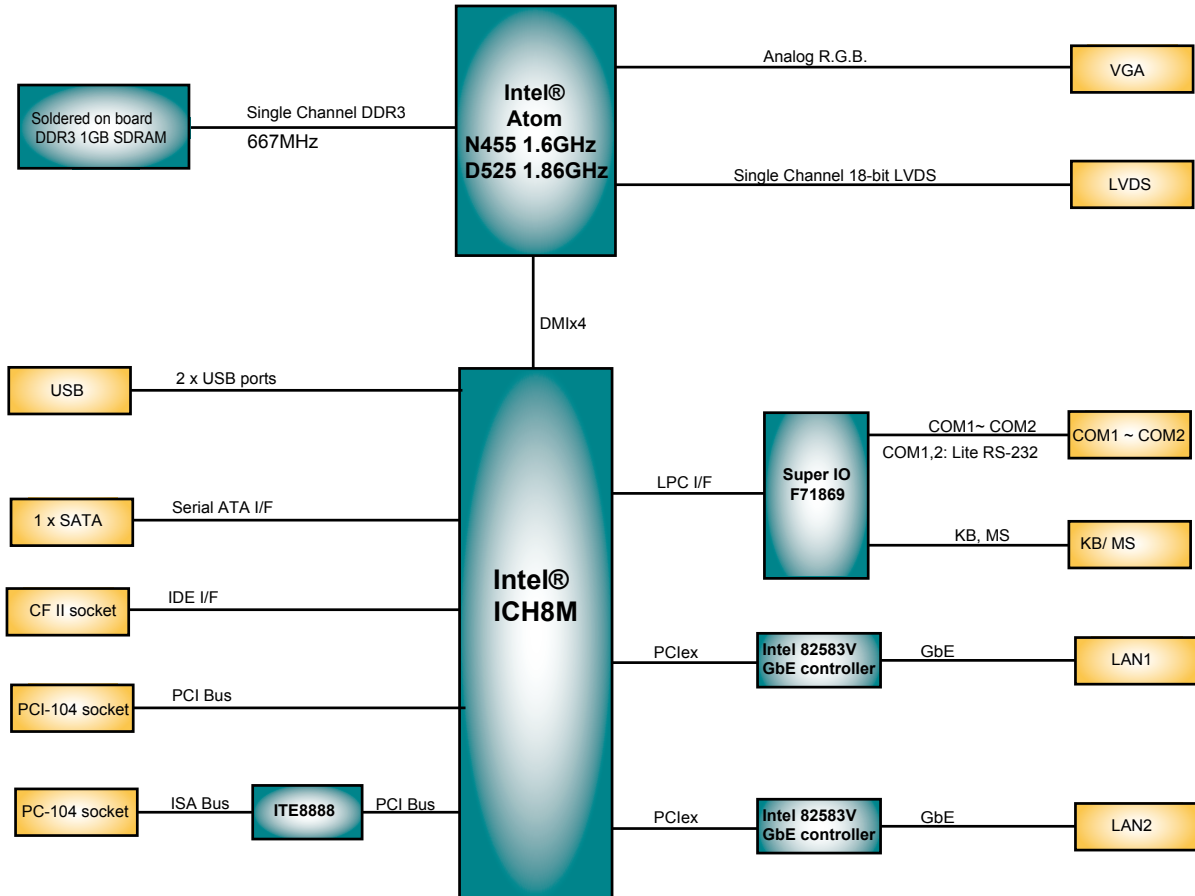
Mechanical & Environmental

Power Requirement	+5V (+12V for LCD panel)
Power Consumption	2.4A@+5V (Typical)
Operating Temp.	-20 ~ 70°C (-4 ~ 158°F)
Operating Humidity	10 ~ 95% @ 70°C (non-condensing)
Dimension (L x W)	96 x 90 mm (3.8" x 3.5")

Dimensions



Block Diagram



Ordering Information

Em104P-i2904-N4 Intel® Atom™ N455 PC/104-Plus CPU module

Em104P-i2904-D5 Intel® Atom™ D525 PC/104-Plus CPU module

Optional Accessories

CBK-10-2904-00

- Cable kit
- 1 x SATA cable
 - 1 x KB & MS Y-cable
 - 1 x USB cable
 - 2 x Ethernet cables
 - 1 x VGA cable
 - 1 x COM cable
 - 2 x Power cables
 - 1 x SATA Power cable

Mouser Electronics

Authorized Distributor

Click to View Pricing, Inventory, Delivery & Lifecycle Information:

[ARBOR Technology:](#)

[Em104P-i2904-N4](#) [Em104P-i2909-N4](#)