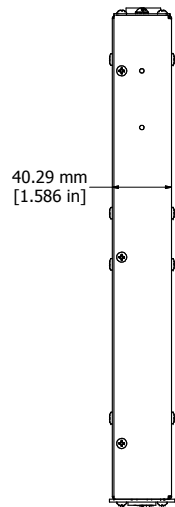
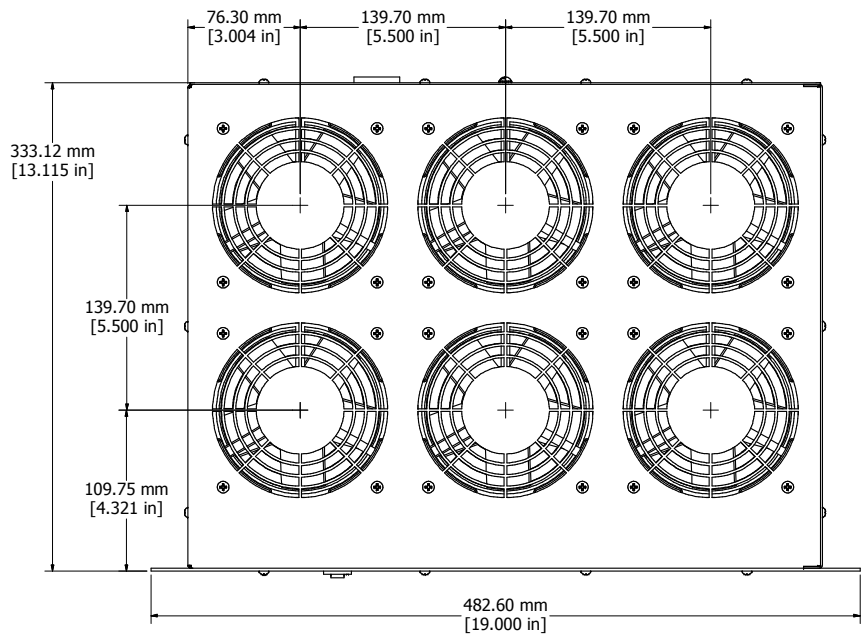
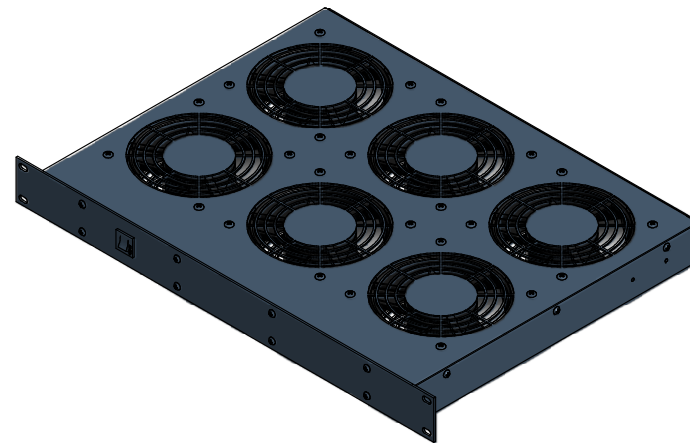


10A, 230V IEC 320 - C14  
INLET RECEPTACLE

ASSEMBLY - VIEW FROM BACK



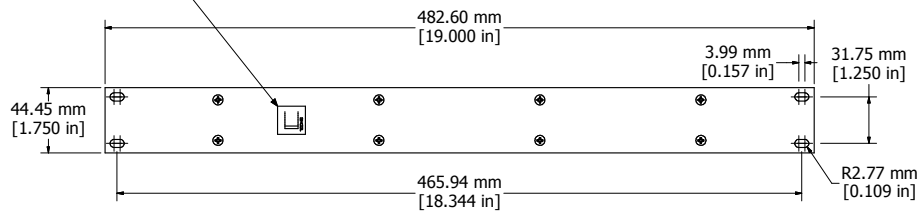
ASSEMBLY - VIEW FROM SIDE



ISOMETRIC VIEW

RESETTABLE  
CIRCUIT BREAKER

ASSEMBLY - VIEW FROM TOP



ASSEMBLY - VIEW FROM FRONT

<b>FT600TA1220BK</b>
Finish - Black Textured Powder Paint
Rated - 230 VAC, 50/60 Hz, 3 Amps
Free Flow Air Delivery - 600 CFM
<b>ACCESSORIES INCLUDED</b>
Mounting Instructions
Rear Mount Brackets & Hardware
Extension Brackets & Hardware



**HAMMOND  
MANUFACTURING™**

**FT600TA1220BK**

www.hammondmfg.com