

SPECIFICATIONS

Header Connector

Mechanical

Contact Retention Force: 1.00 Kgf min.Per Pin.

Electrical

Voltage Rating: 100V

Current Rating: 2.0A per pin

Dielectric Withstanding Voltage: 800V AC

Insulation Resistance: 1000MΩ min.

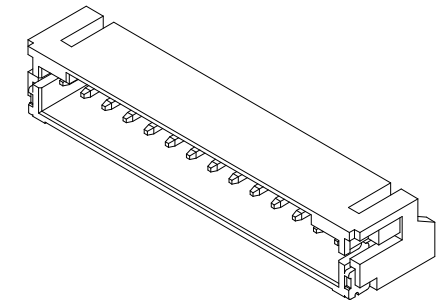
Physical

Housing: Thermoplastic, UL 94V-0 rating in ivory color

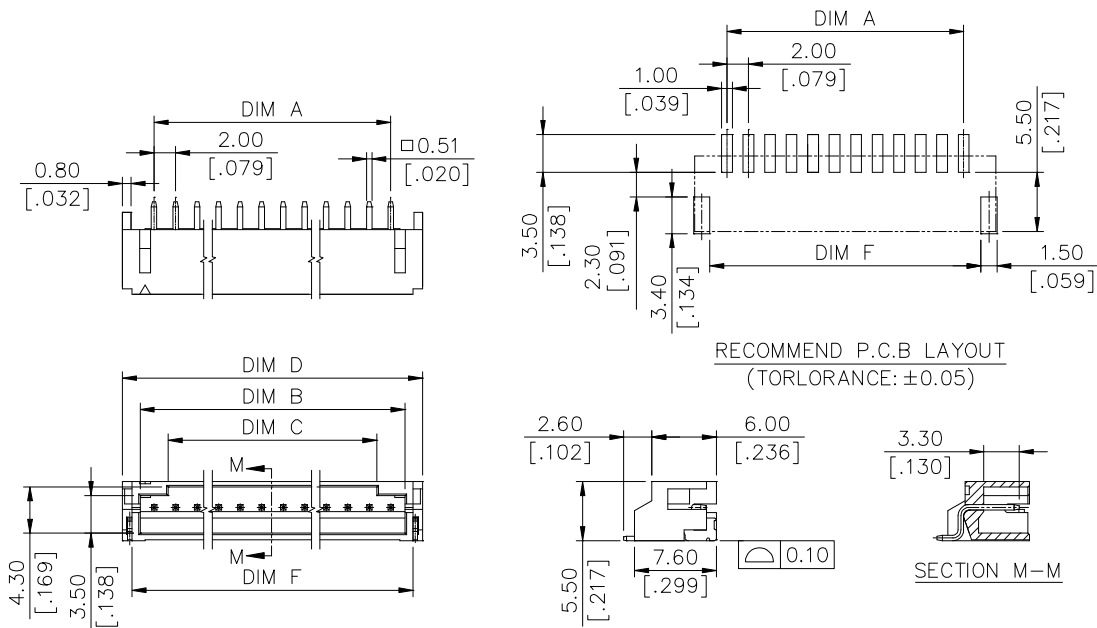
Contact: Copper Alloy

Plating: See "ORDERING INFORMATION"

Operating Temperature: -40°C to +105°C



DRAWING



ORDERING INFORMATION

Header **HS32** ***

SMT Header

Terminal & Contact Type

NO. OF SINGLE ROW POS.

02=02 POS.

03=03 POS.

⋮

CONTACT AREA PLATING CODE

E = TIN PLATING WITH RoHS COMPLIANCE

P/N	DIM A	DIM B	DIM C	DIM D	DIM E	DIM F
HS3203*	4.00 [.158]	6.80 [.268]	/	9.90 [.390]	8.00 [.315]	7.20 [.284]
HS3206*	10.00 [.394]	12.80 [.504]	7.80 [.307]	15.90 [.626]	14.00 [.552]	13.20 [.520]
HS3207*	12.00 [.473]	14.80 [.583]	9.80 [.386]	17.90 [.705]	16.00 [.630]	15.20 [.599]
HS3210*	18.00 [.709]	20.80 [.820]	15.80 [.623]	23.90 [.942]	22.00 [.867]	21.20 [.835]
HS3212*	22.00 [.867]	24.80 [.977]	19.80 [.780]	27.90 [1.099]	26.00 [1.024]	25.20 [.993]
HS3214*	26.00 [1.024]	28.80 [1.135]	23.80 [.938]	31.90 [1.257]	30.00 [1.182]	29.20 [1.150]