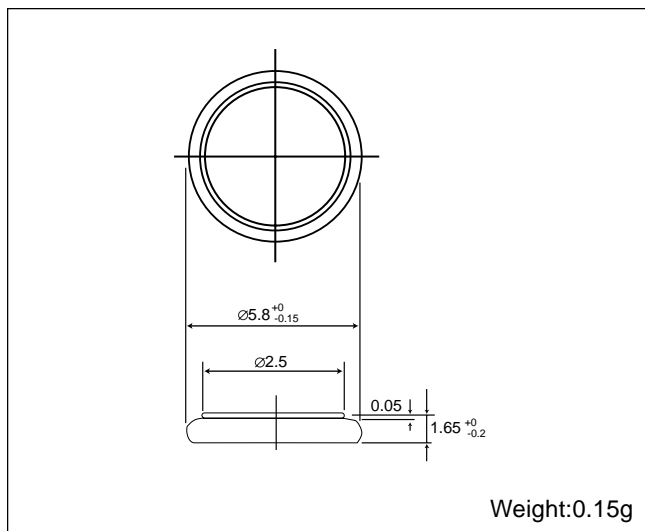


Manganese Titanium Lithium Rechargeable Batteries (MT series): Individual Specifications

MT516

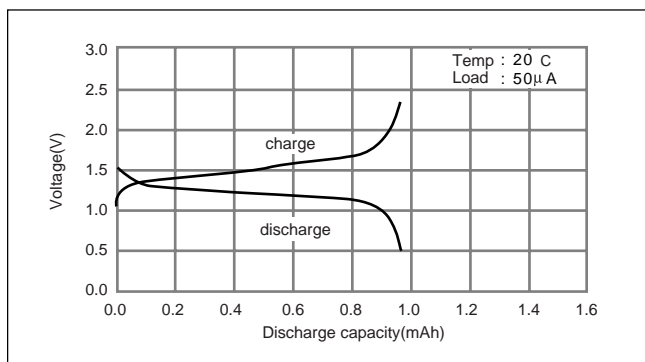
■ Dimensions(mm)



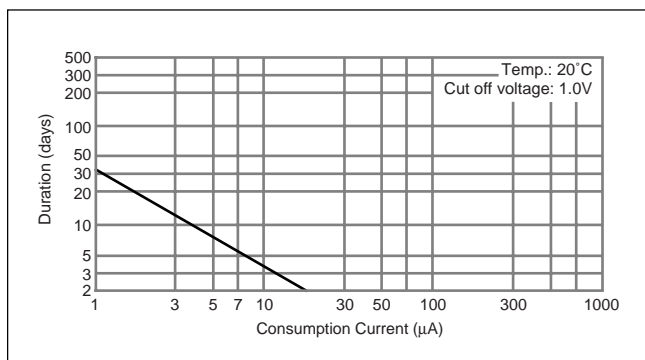
■ Specification

Nominal voltage (V)	1.5
Nominal capacity (mAh)	0.9
Continuous standard load (mA)	0.05
Operating temperature (C)	-20 ~ +60

■ Charge / discharge characteristics

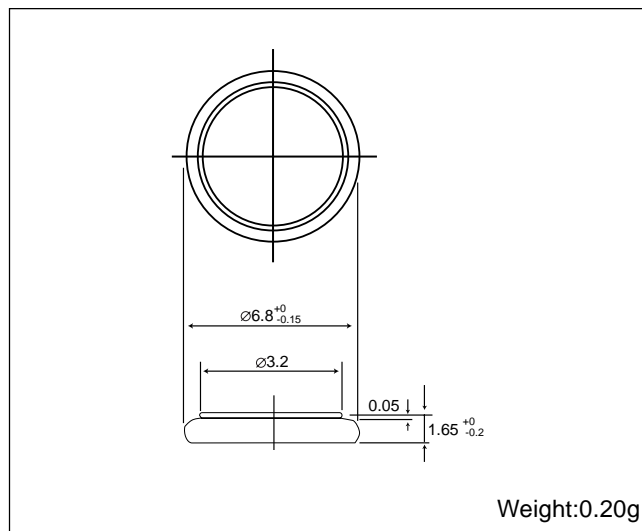


■ Consumption current vs. Duration time



MT616

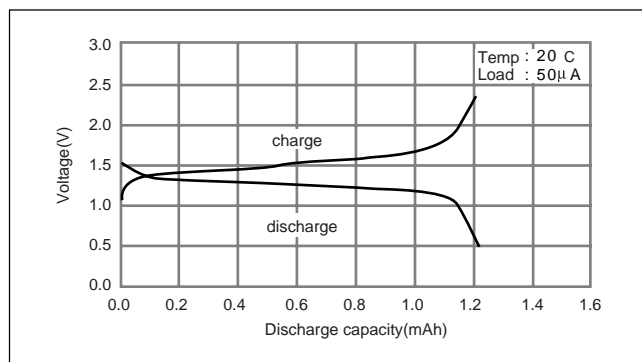
■ Dimensions(mm)



■ Specification

Nominal voltage (V)	1.5
Nominal capacity (mAh)	1.05
Continuous standard load (mA)	0.05
Operating temperature (C)	-20 ~ +60

■ Charge / discharge characteristics



■ Consumption current vs. Duration time

