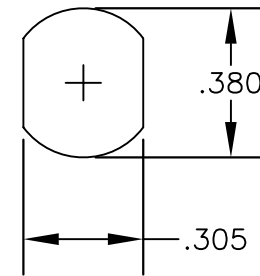
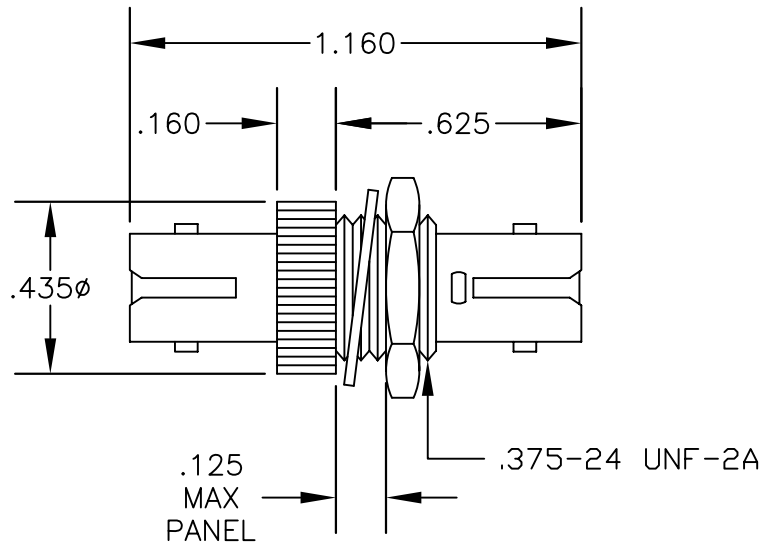


**MATERIALS**

<b>FERRULE</b>	<b>CERAMIC</b>
<b>SLEEVE</b>	<b>CERAMIC</b>
<b>HOUSING</b>	<b>METAL</b>



MOUNTING HOLE

**SPECIFICATIONS**

Single Mode  
 PC Polish  
 Attenuation Value: 15dB ±10% Typical, ±15% Maximum  
 Operating Wavelength: 1300/1550 nm  
 Insertion Loss: <0.3dB Typical, 1dB Maximum  
 Return Loss: 40 dB Minimum, >50dB Typical  
 Operating Temperature: -40°C to +75°C



**PASTERNACK ENTERPRISES, INC.**  
 P.O BOX 16759, IRVINE, CA 92623  
 PHONE (949) 261-1920 FAX (949) 261-7451  
 WEB ADDRESS: [www.pasternack.com](http://www.pasternack.com)  
 E-MAIL ADDRESS: [sales@pasternack.com](mailto:sales@pasternack.com)  
**COAXIAL & FIBER OPTICS**

DWG TITLE	DES. ST BULKHEAD ATTENUATOR, SINGLE MODE				
<b>PE700003-15</b>					

REV. B	FSCM NO. 53919	CAD FILE 050809	SCALE N/A	SIZE A	147
--------	----------------	-----------------	-----------	--------	-----

- NOTES:
- UNLESS OTHERWISE SPECIFIED ALL DIMENSIONS ARE NOMINAL.
  - ALL SPECIFICATIONS ARE SUBJECT TO CHANGE WITHOUT NOTICE AT ANY TIME.
  - DIMENSIONS ARE IN INCHES.