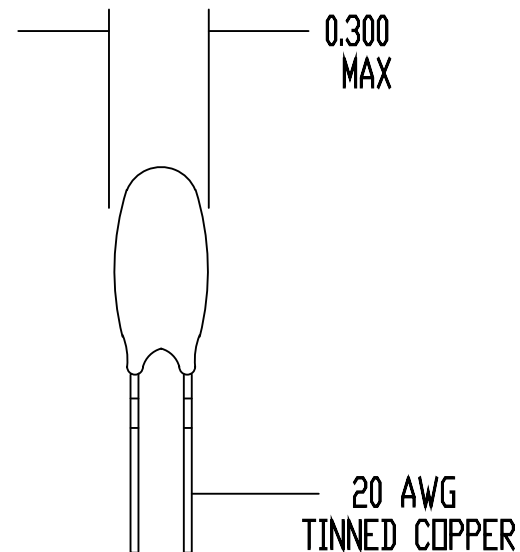
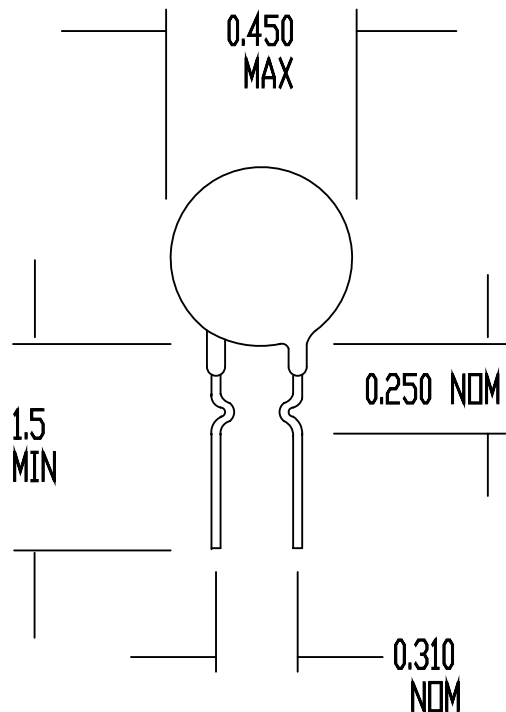



REV	DATE	ECD#
A	03/31/95	1342

DRAWING NOT TO SCALE
ALL DIMENSIONS IN INCHES



SPECIFICATIONS:

RESISTANCE AT 25 DEG C = 10 OHMS +/- 15%
 MAX CONTINUOUS CURRENT (I_{max}) = 3 AMPS
 RESISTANCE AT I_{max} = 0.20 OHMS NOMINAL
 MAX VOLTAGE RATING = 265 VAC (RMS)
 MAX SURGE RATING = 17 JOULES
 ENCAPSULATION = SILICONE RESIN
 MARKING = OPTIONAL
 LEADS = RODAN P/N STL-209-32

DRAWN BY D. NGUYEN		 AMETHERM <i>Circuit Protection Thermistors</i>
DATE 09/25/90	ORIG. F. TISED	
REV A	APP	SURGE-GARD INRUSH CURRENT LIMITER
SHEET 1 OF 1		SG313