



TAI-SAW TECHNOLOGY CO., LTD.

No. 3, Industrial 2nd Rd., Ping-Chen Industrial District,
Taoyuan, 324, Taiwan, R.O.C.

TEL: 886-3-4690038 FAX: 886-3-4697532

E-mail: tstsales@mail.taisaw.com Web: www.taisaw.com

Product Specifications Approval Sheet

Product Description: SAW Filter 314.35 MHz SMD 3.0x3.0 mm (BW=0.6 MHz)

TST Part No.: TA1588A (This part is is compliant with AEC-Q200)

Customer Part No.: _____

Customer signature required
Company: _____
Division: _____
Approved by : _____
Date: _____

Checked by: _____ David Chang 張閔智

Approved by: _____ Francis Chen 

Date: _____ 2013/02/01

1. Customer signed back is required before TST can proceed with sample build and receive orders.
2. Orders received without customer signed back will be regarded as agreement on the specifications.
3. Any specifications changes must be approved upon by both parties and a new revision of specifications shall be released to reflect the changes.



TAI-SAW TECHNOLOGY CO., LTD.

No. 3, Industrial 2nd Rd., Ping-Chen Industrial District,
Taoyuan, 324, Taiwan, R.O.C.

TEL: 886-3-4690038 FAX: 886-3-4697532

E-mail: tstsales@mail.taisaw.com Web: www.taisaw.com

SAW Filter 314.35 MHz

MODEL NO.: TA1588A

REV. NO.:1

A. MAXIMUM RATING:

1. Input Power Level: 10 dB_m
2. DC voltage: 6 V
3. Operating Temperature: -40°C to 85°C
4. Storage Temperature: -40°C to +85°C

RoHS Compliant
Lead free
Lead-free soldering

Electrostatic Sensitive Device (ESD)

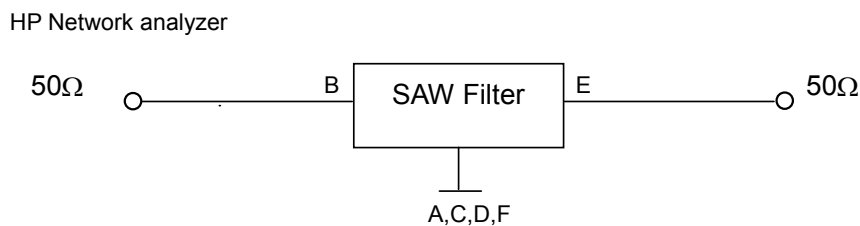
B. CHARACTERISTICS:

Item	Unit	Min.	Typical	Max.
Center frequency Fc	MHz	-	314.35	-
Insertion loss 314.05 ~ 314.65 MHz IL	dB	-	1.6	2.5
Amplitude ripple 314.05 ~ 314.65 MHz	dB	-	0.1	1.2
Attenuation (Reference level from 0 dB)				
270.00 ~ 286.00 MHz	dB	55	63	-
292.65 ~ 293.25 MHz	dB	53	79	-
303.35 ~ 303.95 MHz	dB	48	67	-
324.75 ~ 325.35 MHz	dB	23	30	-
335.45 ~ 336.05 MHz	dB	42	50	-
357.50 ~ 358.70 MHz	dB	50	66	-
Source impedance Zs	Ω	-	50	-
Load impedance ZL	Ω	-	50	-

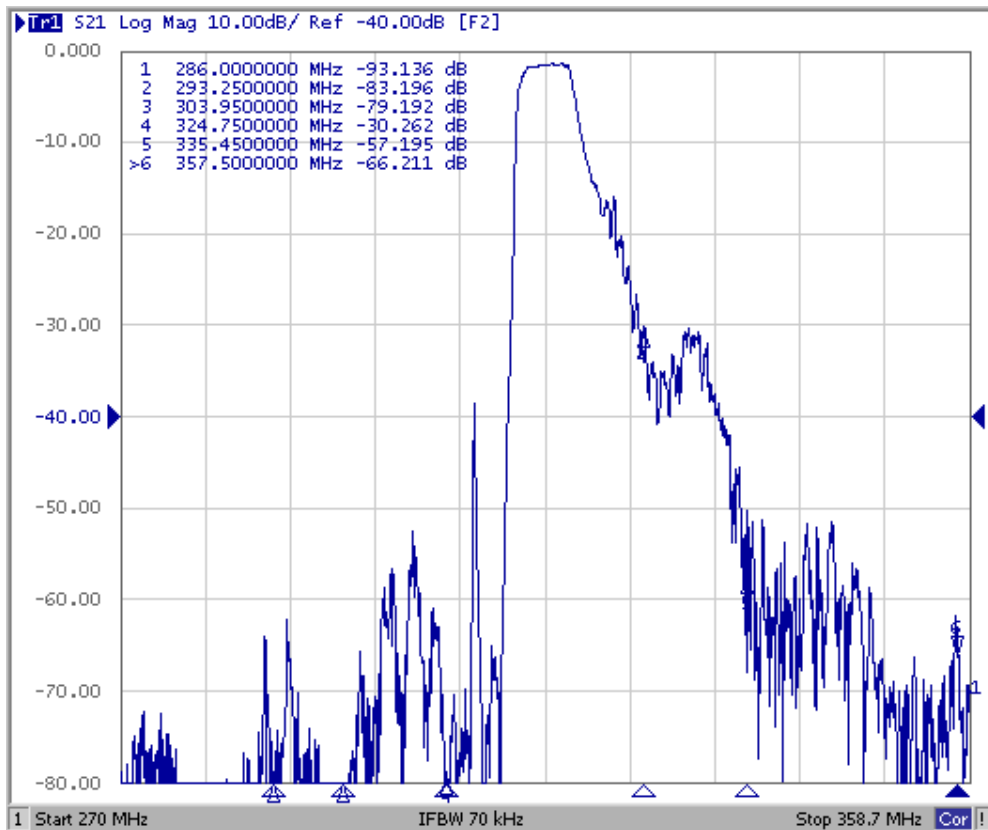
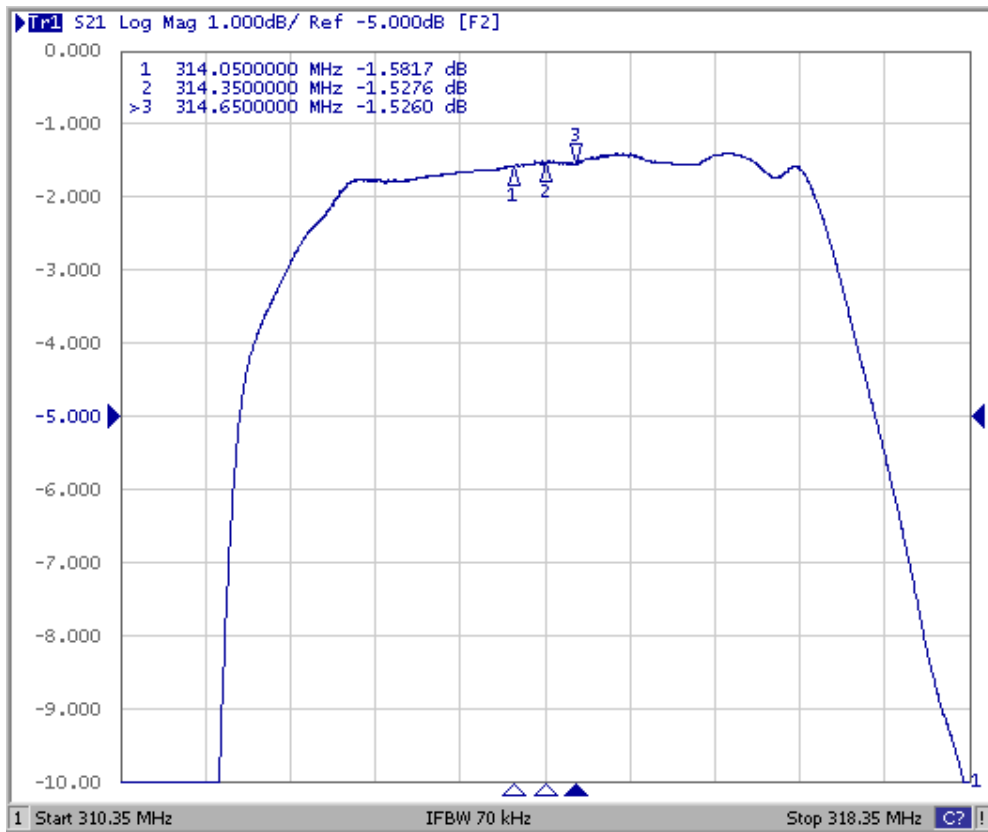
Note1. No matching network required for operation at 50Ω.

Note2. For SiO₂ coating.

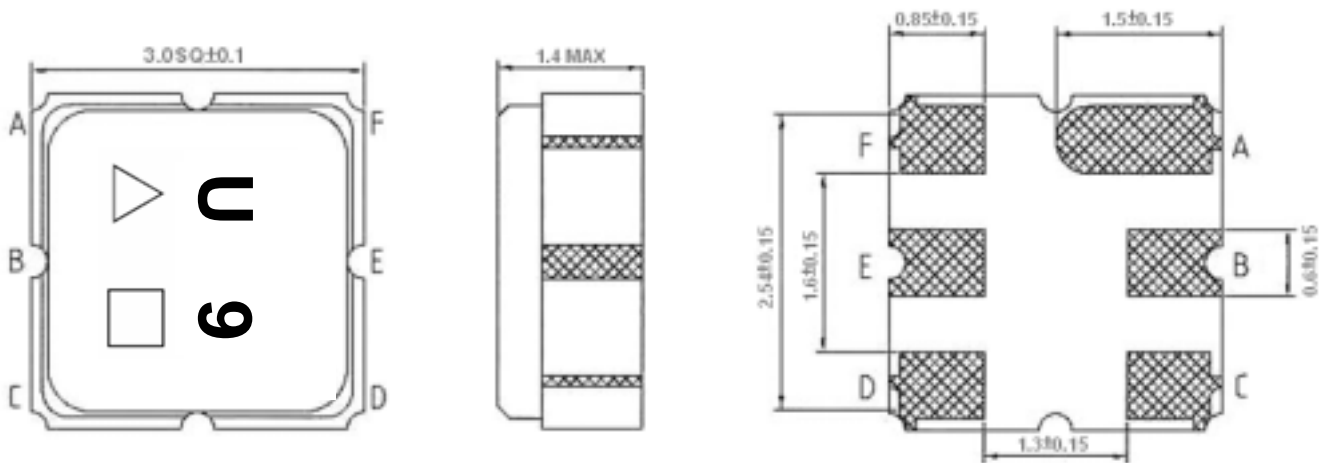
C. MEASUREMENT CIRCUIT:



D. TRANSFER FUNCTION:



E. OUTLINE DRAWING:



B: Input

E: Output

A, C, D, F: Ground

Unit: mm

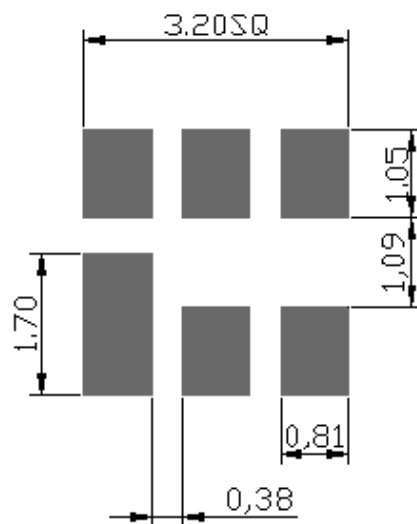
: Year Code (2011->1, 2012->2, ..., 2019->9, 2020->0)

: Date Code

Date Code Table:

WK01	WK02	WK03	WK04	WK05	WK06	WK07	WK08	WK09	WK10	WK11	WK12	WK13
A	B	C	D	E	F	G	H	I	J	K	L	M
WK14	WK15	WK16	WK17	WK18	WK19	WK20	WK21	WK22	WK23	WK24	WK25	WK26
N	O	P	Q	R	S	T	U	V	W	X	Y	Z
WK27	WK28	WK29	WK30	WK31	WK32	WK33	WK34	WK35	WK36	WK37	WK38	WK39
a	b	c	d	e	f	g	h	i	j	k	l	m
WK40	WK41	WK42	WK43	WK44	WK45	WK46	WK47	WK48	WK49	WK50	WK51	WK52
n	o	p	q	r	s	t	u	v	w	x	y	z

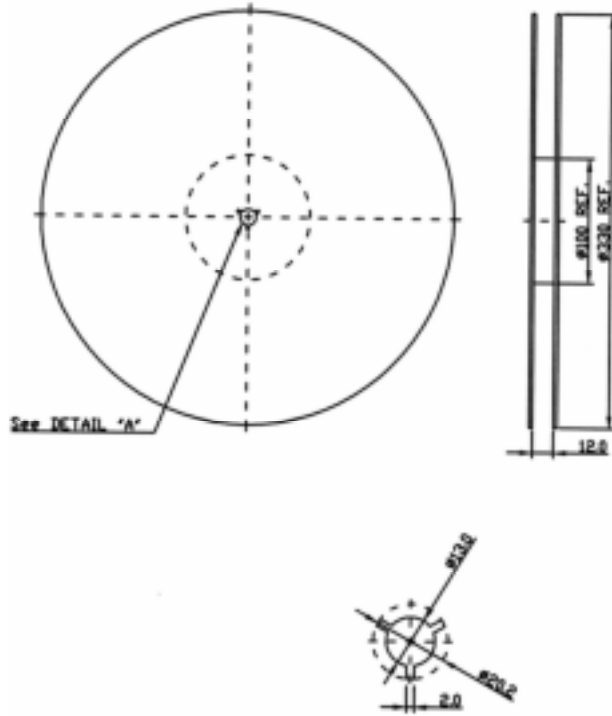
F. PCB Footprint:



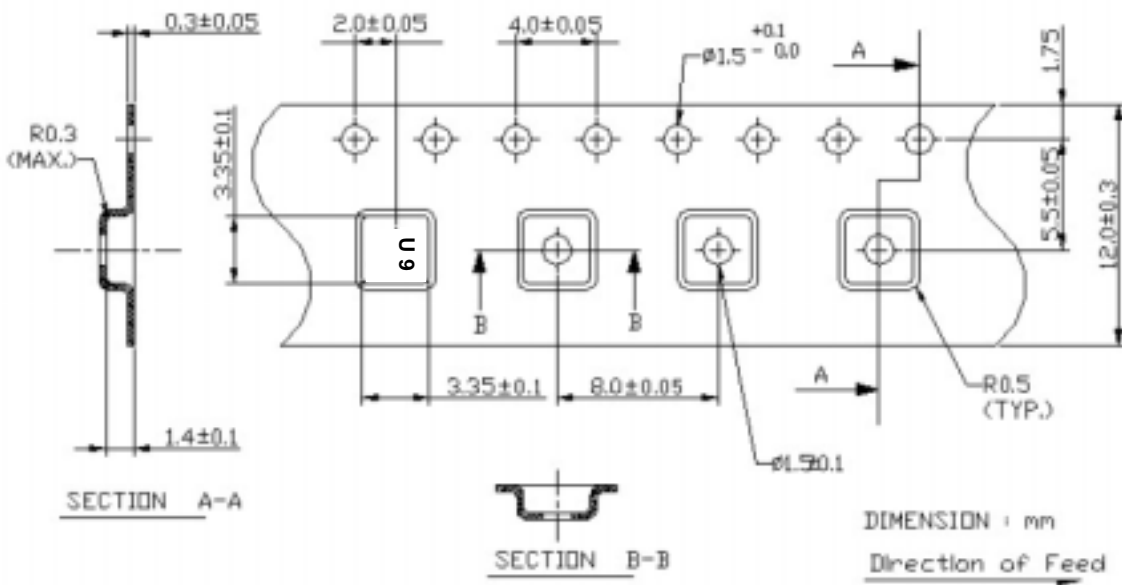
G. PACKING:

1. REEL DIMENSION

(Please refer to FR-75D10 for packing quantity)



2. TAPE DIMENSION



H. RECOMMENDED REFLOW PROFILE:

