



# TAI-SAW TECHNOLOGY CO., LTD.

No. 3, Industrial 2nd Rd., Ping-Chen Industrial District,  
Taoyuan, 324, Taiwan, R.O.C.

TEL: 886-3-4690038 FAX: 886-3-4697532

E-mail: [tstsales@mail.taisaw.com](mailto:tstsales@mail.taisaw.com) Web: [www.taisaw.com](http://www.taisaw.com)

## Approval Sheet For Product Specification

Issued Date:

Product Name: TO39 390MHz One-Port Saw Resonator

TST Parts No.:TC0164A

Customer Parts No.: \_\_\_\_\_

Company: _____
Division: _____
Approved by : _____
Date: _____

Checked by: \_\_\_\_\_ Albert Chung

Approval by: \_\_\_\_\_ Vincent Lee

Date: \_\_\_\_\_ Dec.20 2001



# TAI-SAW TECHNOLOGY CO., LTD.

No. 3, Industrial 2nd Rd., Ping-Chen Industrial District,  
Taoyuan, 324, Taiwan, R.O.C.

TEL: 886-3-4690038 FAX: 886-3-4697532

E-mail: [tstsales@mail.taisaw.com](mailto:tstsales@mail.taisaw.com) Web: [www.taisaw.com](http://www.taisaw.com)

## SAW Resonator 390 MHz

MODEL NO.: TC0164A

REV. NO.: 1

### A. FEATURES:

1. One-Port Resonator.

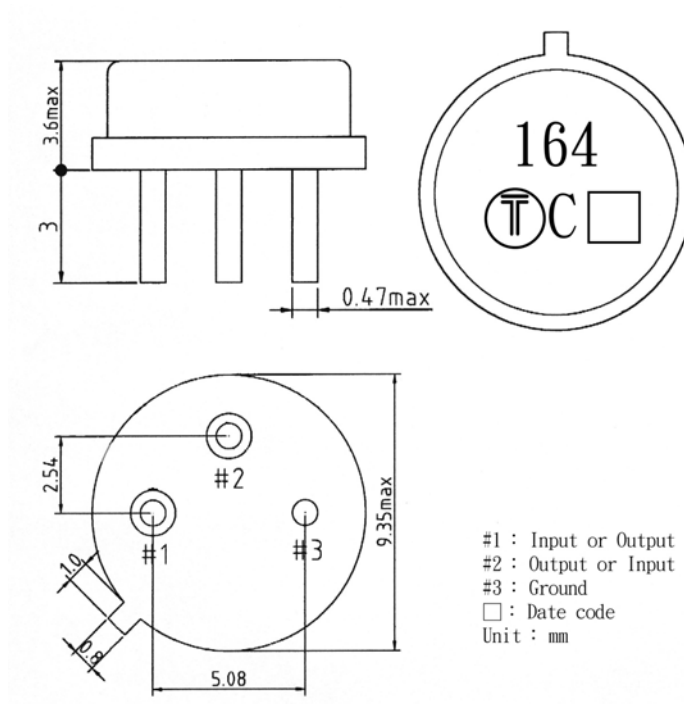
### B. MAXIMUM RATING:

1. Power Dissipation: 0 dBm.
2. DC voltage: 12 V.
3. Storage Temperature: -40 °C to 85 °C.
4. Operating Temperature:-40 °C to 85 °C

### C. ELECTRICAL CHARACTERISTICS:

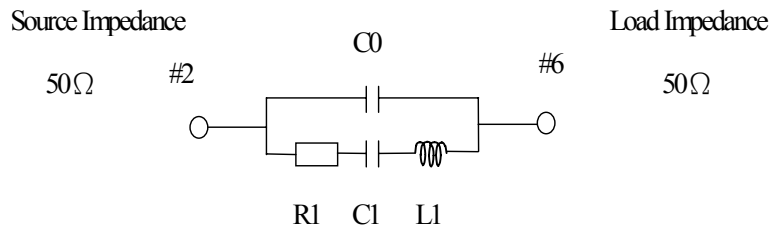
Characteristic	Units	Minimum	Typical	Maximum
Center frequency <b>Fr</b>	<b>MHz</b>	389.850	390	390.150
Insertion Loss <b>IL</b>	<b>dB</b>		1.5	2.5
Unloaded Quality factor		6000		
Equivalent Elements				
Motional capacitance <b>C1</b>	<b>fF</b>		2.57	
Motional inductance <b>L1</b>	<b>μH</b>		64.7	
Motional resistance <b>R1</b>	<b>Ohm</b>		14	
Parallel capacitance <b>Co</b>	<b>pF</b>		3.6	
Temp.coeff.	<b>ppm/c*2</b>		0.032	
Turnover To	<b>deg.C</b>		40	
Package size			TO-39	

**D. OUTLINE DRAWING:**

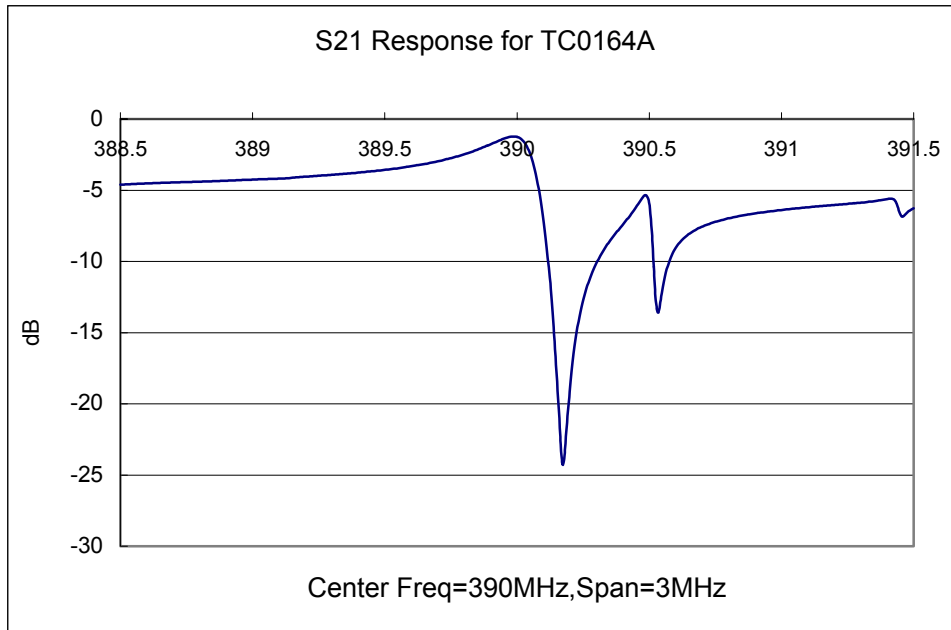


**E. EQUIVALENT CIRCUIT:**

One-Port Resonator:



**F. FREQUENCY CHARACTERISTICS:**



**G. TEST CIRCUIT:**

