

- Standard Dual-in-Line package
- Frequency Range: 10MHz - 50MHz
- Low Phase Noise vs. vibration



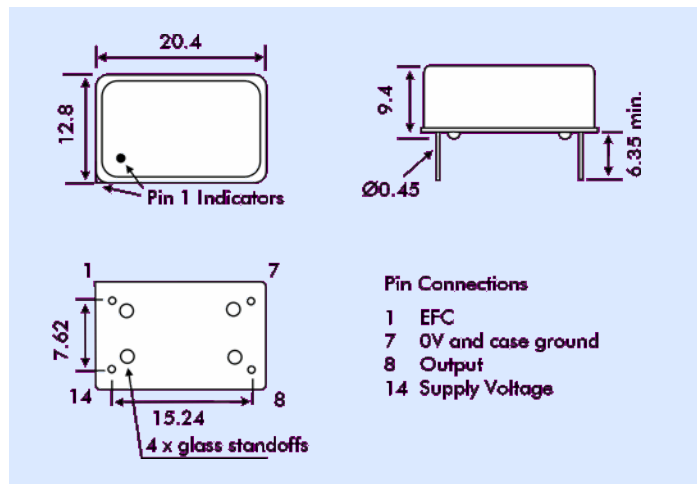
DESCRIPTION

YH1420/1421 series OXOs are high stability oscillators packaged in the industry-standard dual-in-line package. The part exhibits low phase noise vs. vibration.

SPECIFICATIONS

Frequency Range:	10.0MHz to 100.0MHz
Output:	
YH1420:	Squarewave, AC MOS (Code 'C')
YH1421:	Sinewave: 0dBm into 50Ω (Code 'S')
Harmonics:	-20dBc (Sinewave version)
Symmetry:	50%±10% (Squarewave version)
Temperature Stability:	See table
Freq. vs. Supply:	±3x10 ⁻⁹ for a 5% change
Ageing:	±2x10 ⁻⁹ per day after 30 days
Input Voltage:	available in +5.0 or +3.3VDC
Input Power:	
Warmup:	<3W for 5 minutes
Idle:	<1.0W @+25°C
Phase Noise:	See table
Frequency Adjustment:	±5.0ppm, typical. Positive slope

YH1420 - OUTLINES AND DIMENSIONS



STABILITY OVER TEMPERATURE

Temp. Range	Stability	Part No. Code
-10~+60°C	±1x10 ⁻⁷	G17
-20~+70°C	±2x10 ⁻⁷	N27
-40~+70°C	±3x10 ⁻⁷	T37

PHASE NOISE

(Typical, at 10MHz, 5.0V)

Offset	dBc/Hz
10Hz	-110
100Hz	-135
1kHz	-155
10kHz	-158
100kHz	-158

PART NUMBERING

Example: **YH1420-N27-S-5-10.00MHz**

