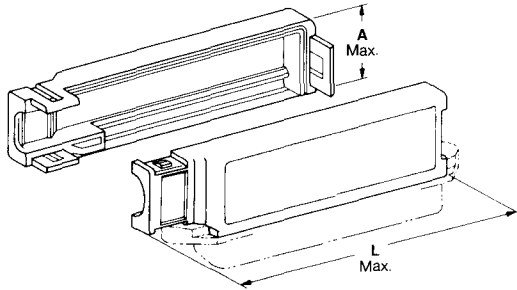


CHAMP IDC Connectors Cable-to-Cable Accessories

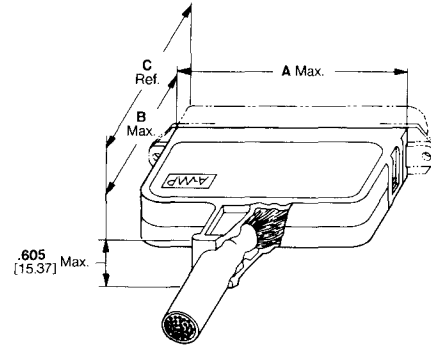
90° Snap-On Strain Relief Cover



No. of Pos.	Dimensions		Cable Range Diameter*	Part Numbers
	A	L		
14	.684	1.863	.185-.230	552412-1
	17.37	47.32	4.70-5.84	
24	.684	2.288	.250-.300	1-552412-1
	17.37	58.12	6.35-7.62	
36	.684	2.798	.305-.360	552413-1
	17.37	71.07	7.75-9.14	1-552413-1
50	.684	3.388	.305-.360	552414-1
	17.37	86.06	7.75-9.14	
64	.684	3.388	.330-.380	3-552414-1
	17.37	86.06	8.38-9.65	
14	.922	3.388	.340-.400	552014-1
	23.42	86.06	8.64-10.16	
24	1.127	3.590	.315-.415	1-552011-1
	28.63	91.19	8.00-10.54	
36	1.127	3.590	.415-.465	552011-1
	28.63	91.19	10.54-11.81	
50	1.127	3.590	.475-.540	552731-1
	28.63	91.19	12.07-13.72	
64	1.127	4.183	.410-.475	552496-1
	28.63	106.25	10.41-12.07	
14	1.127	4.183	.475-.540	1-552496-1
	28.63	106.25	12.07-13.72	
24	1.127	4.183	.540-.605	2-552496-1
	28.63	106.25	13.72-15.37	

*Strain relief cover cable diameter range is a guideline. The appropriate strain relief cover depends on cable stiffness, cable packing and fillers.

180° Snap-On Strain Relief Cover

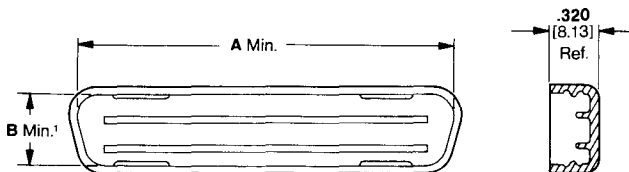


No. of Pos.	Dimensions			Cable Range Diameter*	Part Numbers
	A	B	C		
14	.994	1.455	1.824	.175-.220	552079-1
	25.25	36.96	46.33	4.45-5.59	
24	.994	1.455	1.824	.220-.265	1-552079-1
	25.25	36.96	46.33	5.59-6.73	
36	.994	1.455	1.824	.265-.310	2-552079-1
	25.25	36.96	46.33	6.73-7.87	
50	1.419	1.455	1.824	.230-.280	552076-1
	36.04	36.96	46.33	5.84-7.11	
64	1.419	1.455	1.824	.280-.320	1-552076-1
	36.04	36.96	46.33	7.11-8.13	
14	1.934	1.455	1.824	.320-.380	2-552076-1
	49.12	36.96	46.33	8.13-9.65	
24	1.934	1.455	1.824	.290-.360	552073-1
	49.12	36.96	46.33	7.37-9.14	
36	1.934	1.455	1.824	.360-.430	552073-5
	49.12	36.96	46.33	9.14-10.92	
50	1.934	1.455	1.824	.430-.500	552073-6
	49.12	36.96	46.33	10.92-12.70	
64	1.934	1.455	1.824	.330-.380	3-552008-1
	49.12	36.96	46.33	8.38-9.65	
14	2.520	1.555	1.924	.380-.430	2-552008-1
	64.01	39.50	48.87	9.65-10.92	
24	2.520	1.555	1.924	.430-.490	552008-1
	64.01	39.50	48.87	10.92-12.45	
36	2.520	1.555	1.924	.480-.550	4-552008-1
	64.01	39.50	48.87	12.19-13.97	
50	2.520	1.555	1.924	.430-.500	—
	64.01	39.50	48.87	10.92-12.70	
64	2.520	1.555	1.924	.480-.540	552082-1
	64.01	39.50	48.87	12.19-13.72	
14	3.119	1.655	2.024	.540-.610	569025-1
	79.22	42.04	51.41	13.72-15.49	

CHAMP .085 Centerline Miniature Ribbon Connector Systems



Dust Cover



1B Dimension—.610 [15.49] Plug and .478 [12.14] Receptacles

No. of Pos.	Plug Cover (Blue)		Receptacle Cover (Red)	
	A	Part No.	A	Part No.
24	1.575	229968-4	1.421	229969-4
	40.01		36.09	
36	2.085	—	1.931	229969-3
	52.96		49.05	
50	2.700	229968-1	2.526	229969-1
	68.58		64.16	
64	3.275	229968-2	3.121	229969-2
	83.19		79.27	