

**ebm-papst St. Georgen GmbH & Co. KG**

Hermann-Papst-Straße 1

D-78112 St. Georgen

Phone +49 7724 81-0

Fax +49 7724 81-1309

info2@de.ebmpapst.com

www.ebmpapst.com

Nominal data

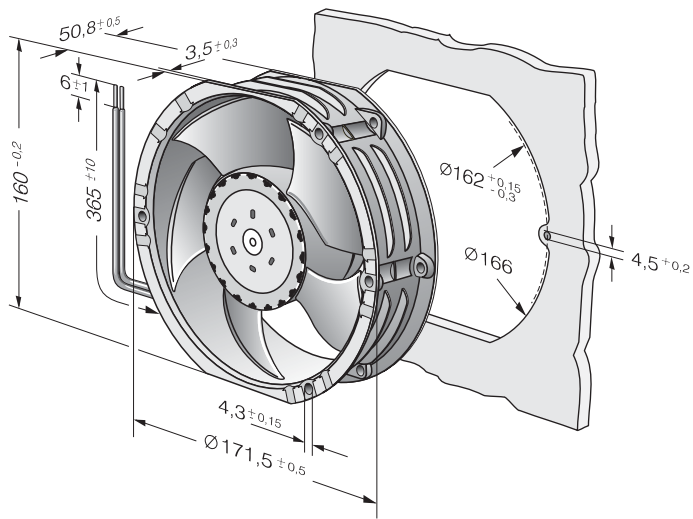
Type	6314 /2TDHHP-015	
Nominal voltage	VDC	24
Nominal voltage range	VDC	16 .. 36
Speed	min ⁻¹	7000
Power input	W	67
Min. ambient temperature	°C	-20
Max. ambient temperature	°C	70
Air flow	m ³ /h	710
Sound power level	B	7.9
Sound pressure level	dB(A)	69

ml = max. load · me = max. efficiency · rfa = running at free air · cs = customer specs · cu = customer unit
 Subject to alterations

Technical features

General description	<p>Particular design features:</p> <ul style="list-style-type: none"> Very smooth running 3-phase fan drive. Very rigid compression curve for high air flow at high counterpressure. Low operating noise level at high counterpressure. Standard with PWM control input and speed signal. Other inputs and outputs on request. <p>General features:</p> <ul style="list-style-type: none"> Housing made of aluminium, impeller made of fibreglass-reinforced PA; housing with grounding lug for M4 x 8 screw (Torx). Protected against reverse polarity and locking. Connection via single strands AWG 20, TR 64, bared and tin-plated. Air exhaust over bars. Direction of rotation counter-clockwise seen on rotor. Mass: 910 g.
Mass	0.91 kg
Dimensions	172 x 160 x 51 mm
Lifetime L10 at 40 °C	62500 h
Lifetime L10 at maximum temperature	30000 h

Product drawing



Charts

