

Epoxy Coated Power Inductor

AIAP-01



RoHS/RoHS II Compliant



9.14 x ϕ 3.3mm

FEATURES:

- Low cost axial leaded inductors
- High current rating
- Wide inductance range

APPLICATIONS:

- Power supplies
- Switching circuits
- TV and audio equipment
- Telecommunication devices
- RF and other filters

ELECTRICAL SPECIFICATIONS:

Part No. AIAP-01- Inductance Code	L(μ H)	Tolerance	DCR(Ω)	SRF(MHz)	I _{DC} (mA)	Inductance Code
		(%)	(max)	(min)	(max)	
AIAP-01-1R0	1.0	K	0.030	190	3300	1R0
AIAP-01-1R2	1.2	K	0.019	170	3200	1R2
AIAP-01-1R5	1.5	K	0.020	160	3100	1R5
AIAP-01-1R8	1.8	K	0.023	150	2900	1R8
AIAP-01-2R2	2.2	K	0.031	130	2600	2R2
AIAP-01-2R7	2.7	K	0.033	120	2500	2R7
AIAP-01-3R3	3.3	K	0.054	110	1900	3R3
AIAP-01-3R9	3.9	K	0.060	100	1800	3R9
AIAP-01-4R7	4.7	K	0.068	86	1700	4R7
AIAP-01-5R6	5.6	K	0.074	64	1600	5R6
AIAP-01-6R8	6.8	K	0.080	44	1600	6R8
AIAP-01-8R2	8.2	K	0.087	32	1500	8R2
AIAP-01-100	10	K	0.095	25	1500	100
AIAP-01-120	12	K	0.11	17	1400	120
AIAP-01-150	15	K	0.15	13	1200	150
AIAP-01-180	18	K	0.16	10	1100	180
AIAP-01-220	22	K	0.19	8.4	1000	220
AIAP-01-270	27	K	0.22	8.0	950	270
AIAP-01-330	33	K	0.29	7.6	910	330
AIAP-01-390	39	K	0.26	7.1	880	390
AIAP-01-470	47	K	0.35	6.0	760	470
AIAP-01-560	56	K	0.47	5.8	650	560
AIAP-01-680	68	K	0.53	4.3	610	680
AIAP-01-820	82	K	0.60	4.1	580	820
AIAP-01-101	100	K	0.67	3.9	550	101
AIAP-01-121	120	K	0.9	3.6	470	121
AIAP-01-151	150	K	1.2	3.2	410	151
AIAP-01-181	180	K	1.4	2.8	380	181
AIAP-01-221	220	K	1.9	2.3	320	221
AIAP-01-271	270	K	2.1	2.1	310	271
AIAP-01-331	330	K	2.4	1.9	290	331
AIAP-01-391	390	K	3.0	1.7	260	391
AIAP-01-471	470	K	3.4	1.4	240	471
AIAP-01-561	560	K	4.7	1.3	210	561
AIAP-01-681	680	K	6.4	1.2	180	681
AIAP-01-821	820	K	7.1	1.1	170	821
AIAP-01-102	1000	K	7.9	1.0	160	102
AIAP-01-122	1200	K	9.0	0.94	150	122
AIAP-01-152	1500	K	13.5	0.76	130	152
AIAP-01-182	1800	K	14.0	0.72	120	182
AIAP-01-222	2200	K	19.0	0.64	100	222
AIAP-01-272	2700	K	25.0	0.56	90	272
AIAP-01-332	3300	K	29.0	0.53	83	332
AIAP-01-392	3900	K	34.0	0.48	77	392
AIAP-01-472	4700	K	45.0	0.45	74	472
AIAP-01-562	5600	K	55.0	0.40	63	562
AIAP-01-682	6800	K	60.0	0.36	59	682
AIAP-01-822	8200	K	75.0	0.29	54	822
AIAP-01-103	10000	K	85.0	0.27	52	103

ABRACON IS
ISO 9001:2008
CERTIFIED



ABRACON
CORPORATION

Visit www.abracon.com for Terms & Conditions of Sale Revised: 03.05.13
30332 Esperanza, Rancho Santa Margarita, California 92688
tel 949-546-8000 | fax 949-546-8001 | www.abracon.com

Epoxy Coated Power Inductor

AIAP-01

 RoHS/RoHS II Compliant



9.14 x φ3.3mm

Test Conditions and equipments

Test frequency: 7.9MHz for 1.0μH to 8.2μH, 1KHz for 10μH to 10000μH

I_{DC}: 10% inductance drops typical

Operating Temperature

-40°C ~ +105°C

Storage Temperature

-40°C ~ +85°C

▶ PART NUMBER IDENTIFICATION

AIAP-01- -

Inductance Code

Please refer to Electrical Specifications Table

Tolerance

K: ±10%

Packaging

T: Tape and Reel
(2.5kpcs / reel)

▶ OUTLINE DRAWING:



Dimension: inch/mm

ABRACON IS
ISO 9001:2008
CERTIFIED



Visit www.abracon.com for Terms & Conditions of Sale Revised: 03.05.13
30332 Esperanza, Rancho Santa Margarita, California 92688
tel 949-546-8000 | fax 949-546-8001 | www.abracon.com

Epoxy Coated Power Inductor

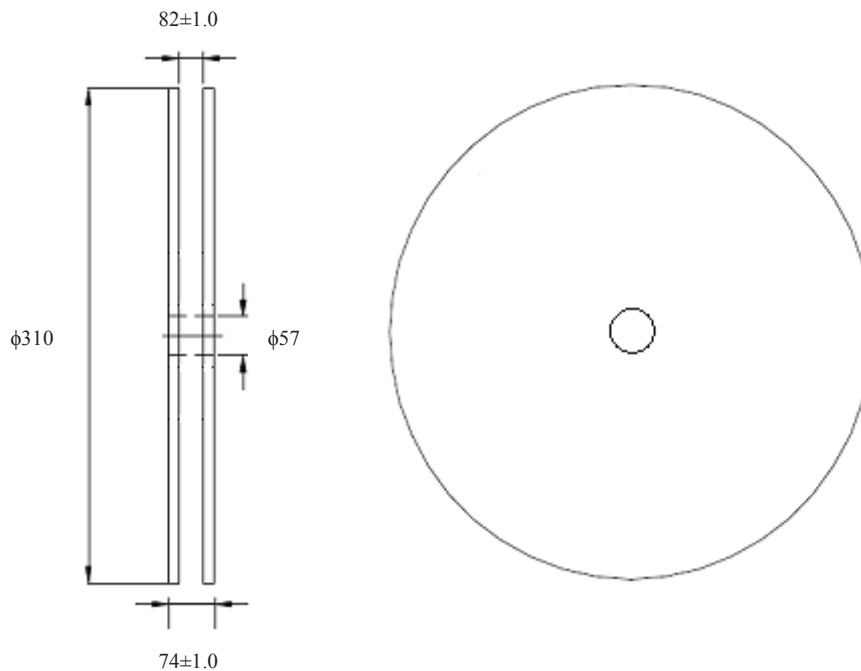
AIAP-01

 RoHS/RoHS II Compliant



ELECTRICAL SPECIFICATIONS:

T: 2,500pcs/Reel



Dimension: mm

ATTENTION: Abracon Corporation's products are COTS – Commercial-Off-The-Shelf products; suitable for Commercial, Industrial and, where designated, Automotive Applications. Abracon's products are not specifically designed for Military, Aviation, Aerospace, Life-dependant Medical applications or any application requiring high reliability where component failure could result in loss of life and/or property. For applications requiring high reliability and/or presenting an extreme operating environment, written consent and authorization from Abracon Corporation is required. Please contact Abracon Corporation for more information.

ABRACON IS
ISO 9001:2008
CERTIFIED



ABRACON
CORPORATION

Visit www.abracon.com for Terms & Conditions of Sale Revised: 03.05.13
30332 Esperanza, Rancho Santa Margarita, California 92688
tel 949-546-8000 | fax 949-546-8001 | www.abracon.com