

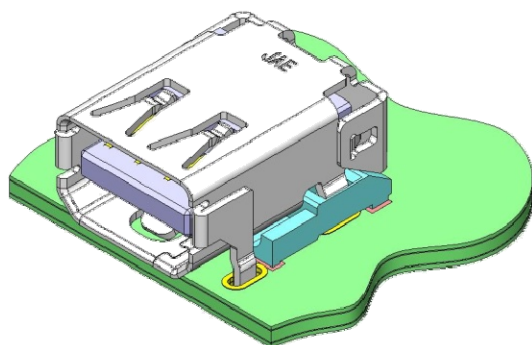
**NEW**



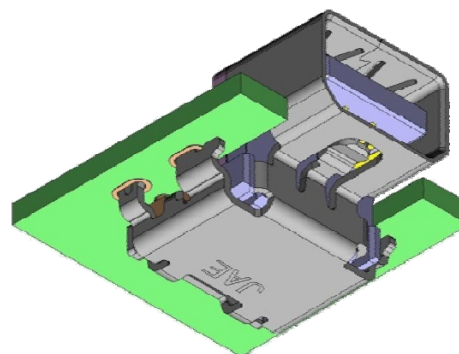
## Thunderbolt Compatible Connector DP3 Series

CONNECTOR  
MB-0248-1  
June 2012

**RoHS Compliant**



On-board Standard



Reverse Sunk-into-the-board

The DP3 Series has been developed as an I/O connector compatible with Thunderbolt™ Technology for high-speed transmission between PCs and peripheral devices.

\*Thunderbolt is a trademark of Intel in the US and other countries.

### Features

- 10Gbps high-speed transmission connector for Thunderbolt.
- Available in standard and reverse mounting, sunk-into-the-board type is also available.
- Enhanced board mounting strength with through-hole hold-downs on the metal shell.
- Friction lock with the metal shell enhances cable plug retention strength and creates a clear click feeling when mated.
- Connector is supplied in embossed reel.

### General Information

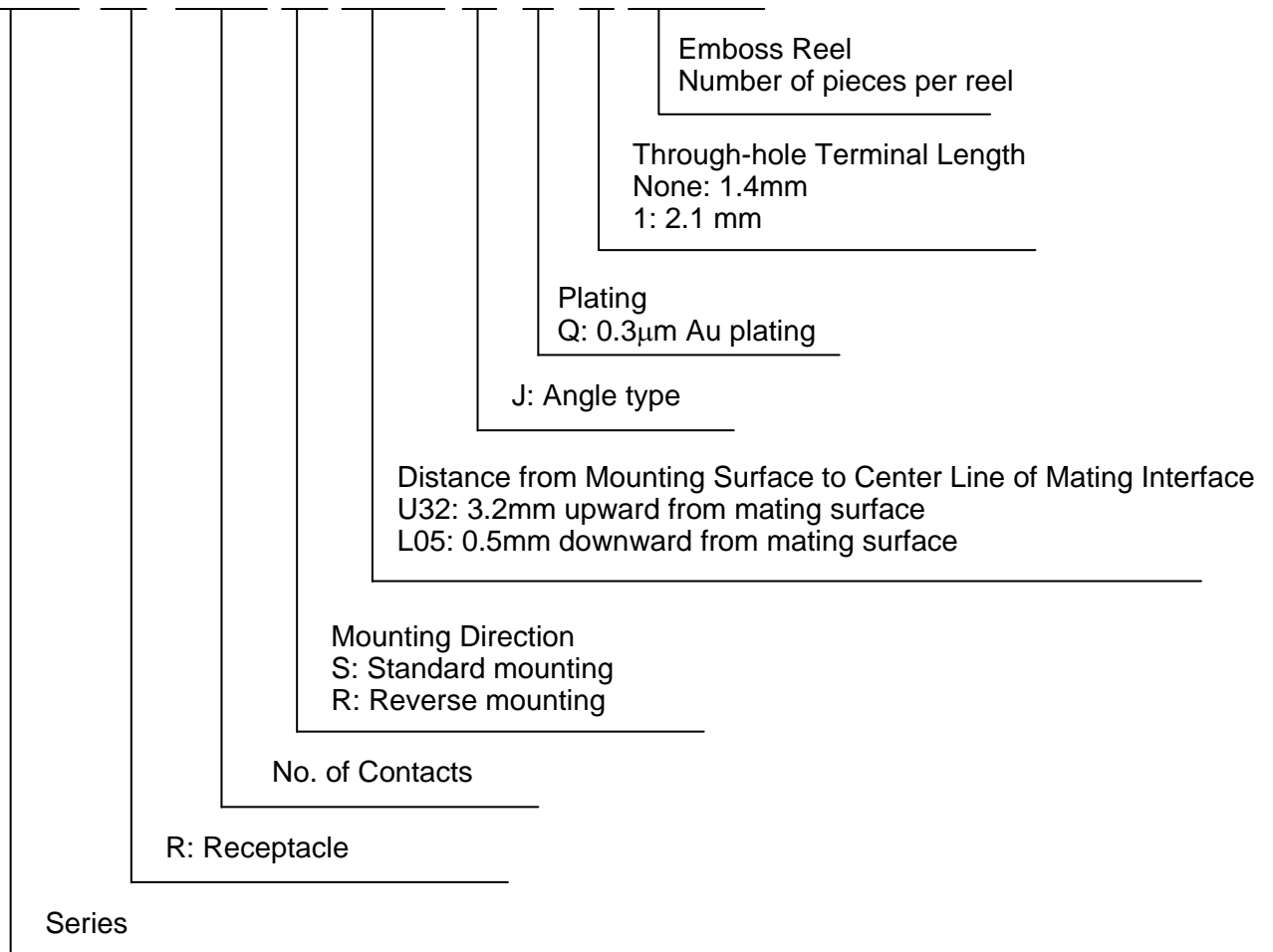
- No. of Contacts: 20
- Contact Resistance: 100m  $\Omega$  max.
- Dielectric Withstanding Voltage: AC300Vr.m.s per 1 minute
- Operating Temperature: -20 Deg. C to +85 Deg. C
- Rated Current: 0.5A (signal pin)
- Insulation Resistance: 10M $\Omega$  min.
- Durability: 10,000 mating cycles

Materials / Finishes

Component	Material / Finish
Contact	Copper alloy / 0.3μ Au plating over Ni (contact area) Sn plating over Ni (terminal area)
Housing	Glass filled LCP / None
Shell	Stainless steel / Ni

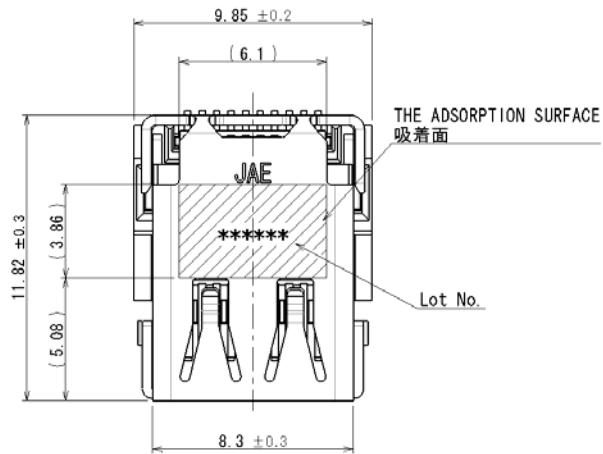
Ordering Information

DP3 R 020 S U32 J Q 1 R\*\*\*\*

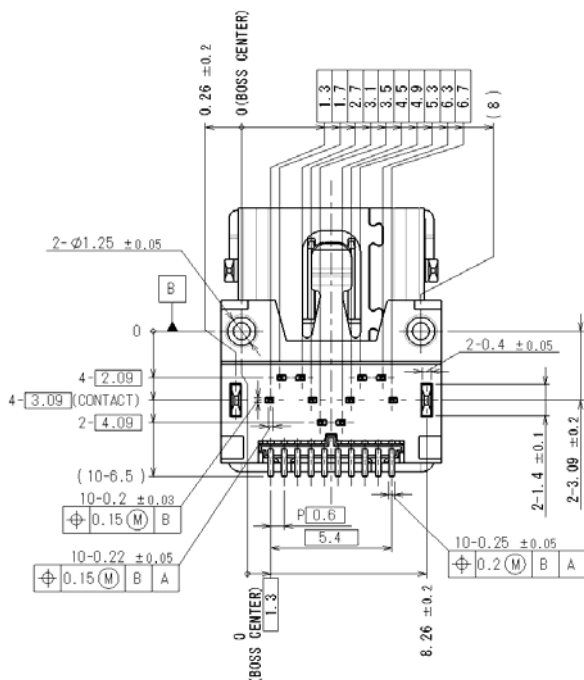
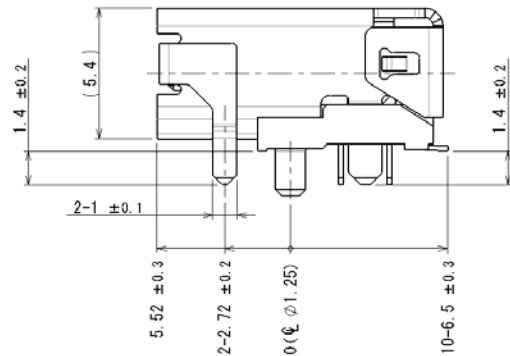
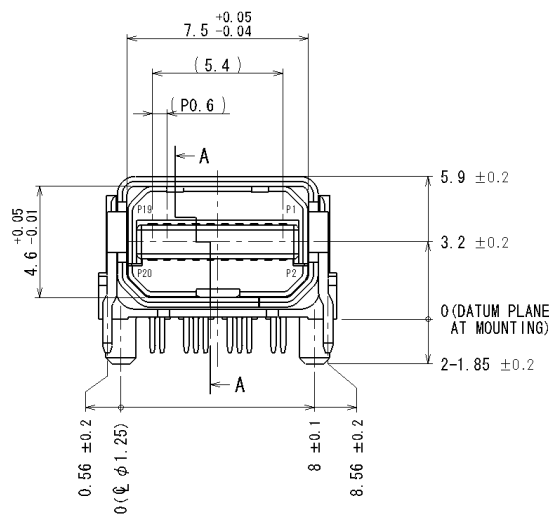


Part Number	SJ Drawing No.
DP3R020SU32JQ (Individual Connector)	SJ112287
DP3R020SU32JQR400 (Embossed Reel)	SJ112331

On-board  
Standard Type



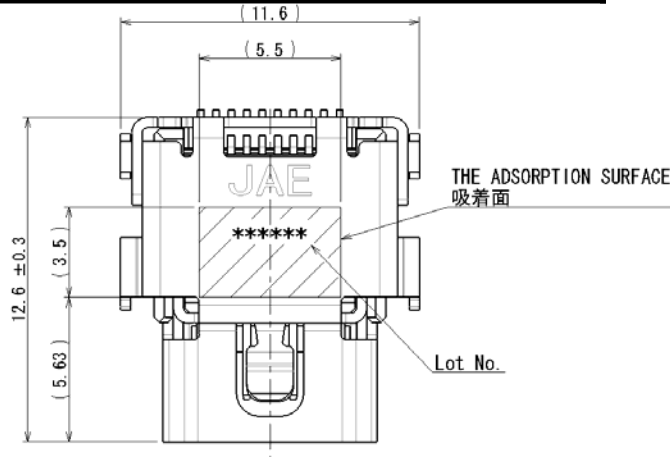
Unit: mm



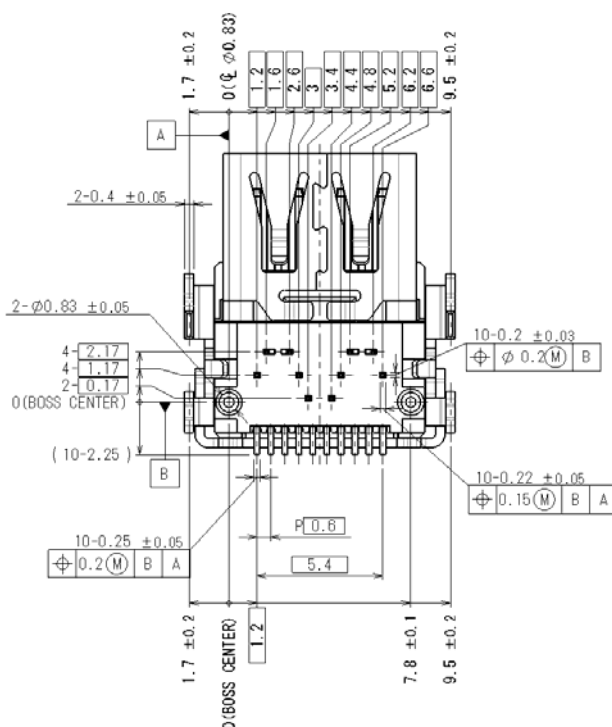
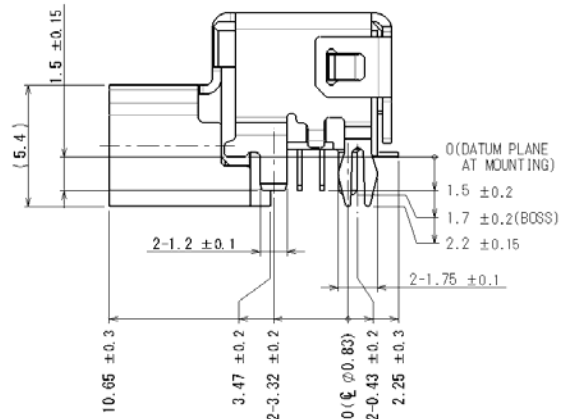
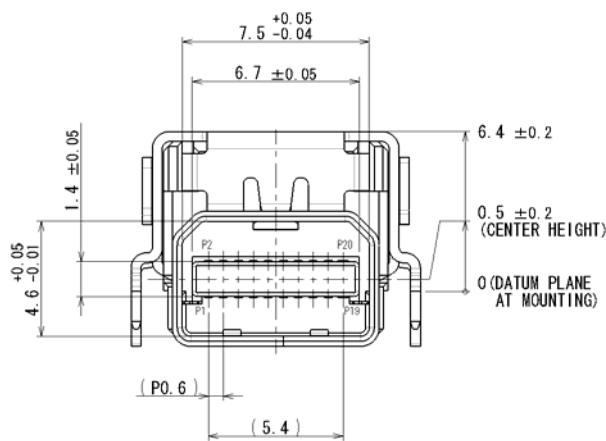


Part Number	SJ Drawing No.
DP3RB20RU05JQ (Individual Connector)	SJ112304
DP3RB20RU05JQR400 (Embossed Reel)	SJ112336

Sunk-into-the-board  
Reverse Type



Unit: mm



Part Number	SJ Drawing No.
DP3R020RL30JQ (Individual Connector)	SJ112303
DP3R020RL30JQR400 (Embossed Reel)	SJ112335

Sunk-into-the-board  
Reverse Type

Unit: mm

