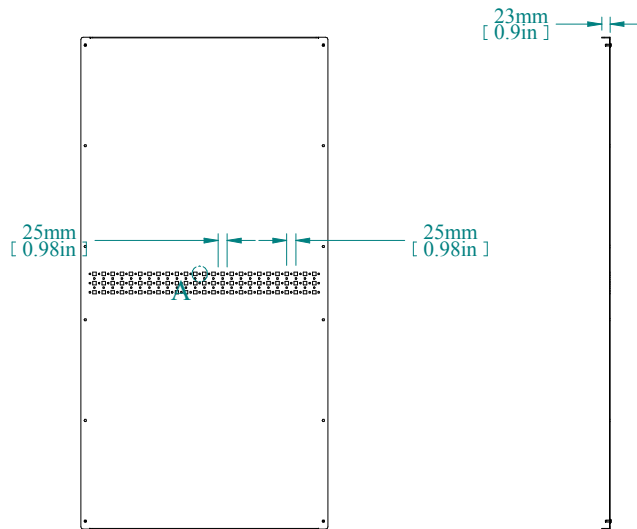


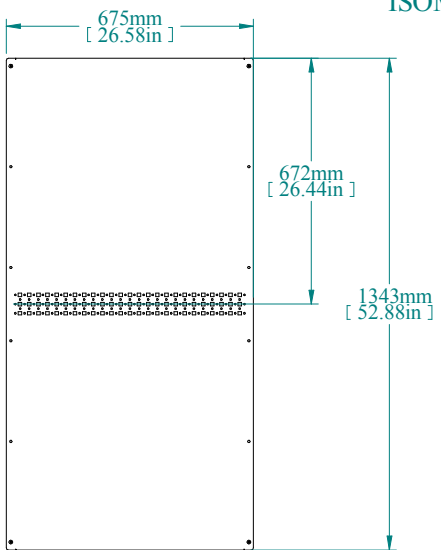
TOP VIEW

ISOMETRIC VIEW

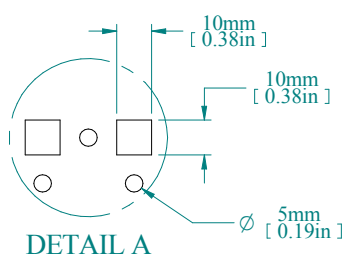


REAR VIEW

L.S. VIEW



FRONT VIEW



DETAIL A

PART NUMBERS	
HSIP168	14 GAUGE GALVANIZED STEEL

NOTES
Unpainted Allows installation of 19" mounting rails including center support Hammond Website for Additional Accessories

Data subject to change without notice. Isometric drawing not to scale.

**HAMMOND  
MANUFACTURING™**

www.hammondmfg.com

PART NO. HSIP145