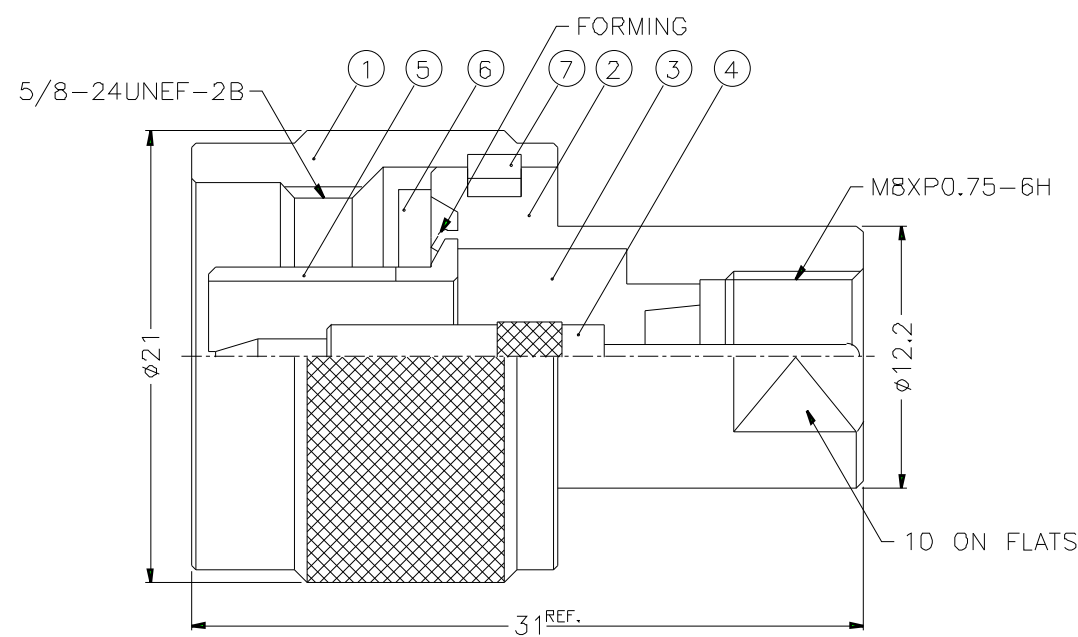


1 2 3 4 5 6 7 8

REVISIONS		
ISS	ZONE	DESCRIPTION\PER REQUEST\DATE



NOTES: FINISH (PLATING THICKNESS IN MICRO-INCHES)
 1. BRASS PER QQ-B-626
 2. NICKEL PL. 100 MIN. THICK OVER COPPER STRIKE
 3. SILVER PL. 200 MIN. THICK OVER COPPER STRIKE
 4. TEFLON MIL-P-19468

7	RETAINER RING	SUS 304	NATURAL	1	N5000-7-C
6	GASKET	SILICONE	RED	1	GS-156/8X15
5	CONTACT BODY	NOTE 1	NOTE 2	1	N5000-5
4	CONTACT PIN	NOTE 1	NOTE 3	1	FME2071N1-4
3	INSULATOR	NOTE 4	NATURAL	1	FME2071N1-3T-50
2	BODY	NOTE 1	NOTE 2	1	FME2071N1-2
1	SHELL	NOTE 1	NOTE 2	1	N5000-1-B
NO.	DESCRIPTION	MATERIAL	FINISH	Q'TY	DRAWING NO.

DIMENSIONS ARE IN MILLIMETERS			
UNLESS OTHERWISE SPECIFIED TOLERANCES			
0-5	-6	=	±0.2
6-30	=	±0.4	
30-120	=	±0.6	
120-315	=	±1	
315-1000	=	±1.6	
1000-2000	=	±2.4	
SCALE	3/1	ISSUE	A

PART NO.	FME2071N1-NTS-50
APPROVED	DATE
CHECKED	DATE
DRAWN	DATE
FILE NO.	DRAWING NO.

Amphenol

N MALE TO FME MALE ADAPTOR

DRAWING NO. KJ-FME2071N1-NTS-50

ITEM NO.

F
E
D
C
B
A

F
E
D
C
B
A

1 2 3 4 5 6 7 8