



PARA LIGHT ELECTRONICS CO., LTD

Tel: 886-2-2225-3733

Fax: 886-2-2225-4800

E-mail: para@para.com.tw

<http://www.para.com.tw>

150W Flood Light Product Data Sheet

Model Number:

PARA-SPL-150WDF-YFA-CW

Rev.: A /0

Producer : Zhuang Wei

Check: Steven Chang

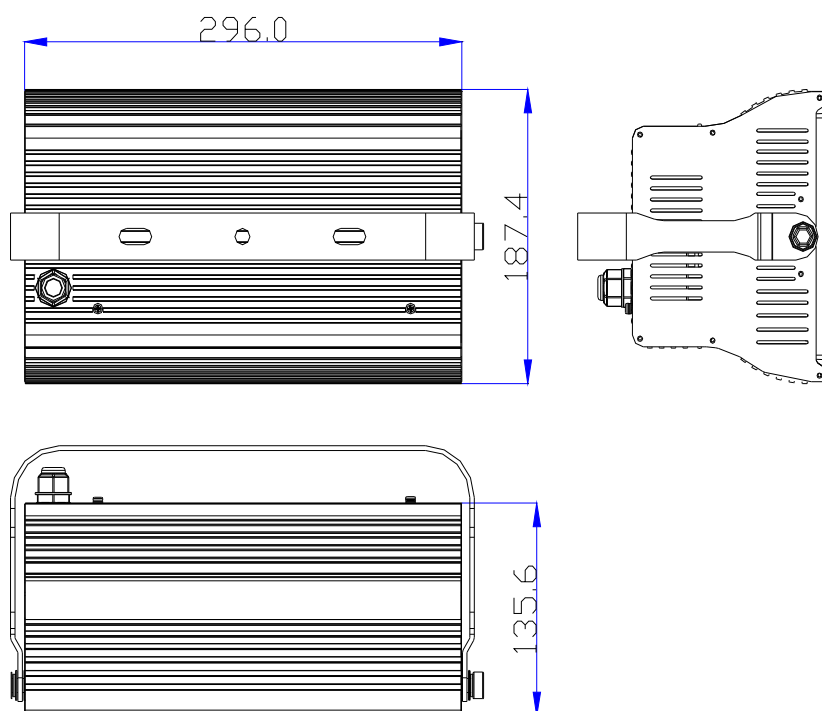
◆ Product Features:

- Aluminum die casting heat sink base with a cooling fan
- Integrated CREE WHT LED.
- Instant on/off
- Does not produce ultra violet (UV) light or IR
- Environmentally friendly – no mercury or other hazardous materials & fully recyclable
- Universal AC input /Full range, 100-277V
- Thermal protection system
- Short circuit / Over current / Over voltage / Over temperature protection
- IP65 design for outdoor
- RoHS
- Safety:Conform to GB7000.1-2007 / GB7000.5-2005
CNS 14335、IEC 60598-2-3

◆ Photo :



◆ Dimension :



Unit: mm

