



**PARA LIGHT ELECTRONICS CO., LTD**

Tel: 886-2-2225-3733

Fax: 886-2-2225-4800

E-mail: para@para.com.tw

<http://www.para.com.tw>

# 150W Flood Light Product Data Sheet

Model Number:

**PARA-SPL-150WDF-YFA-WW**

Rev.: A / 0

Producer : Zhuang Wei

Check: Steven Chang

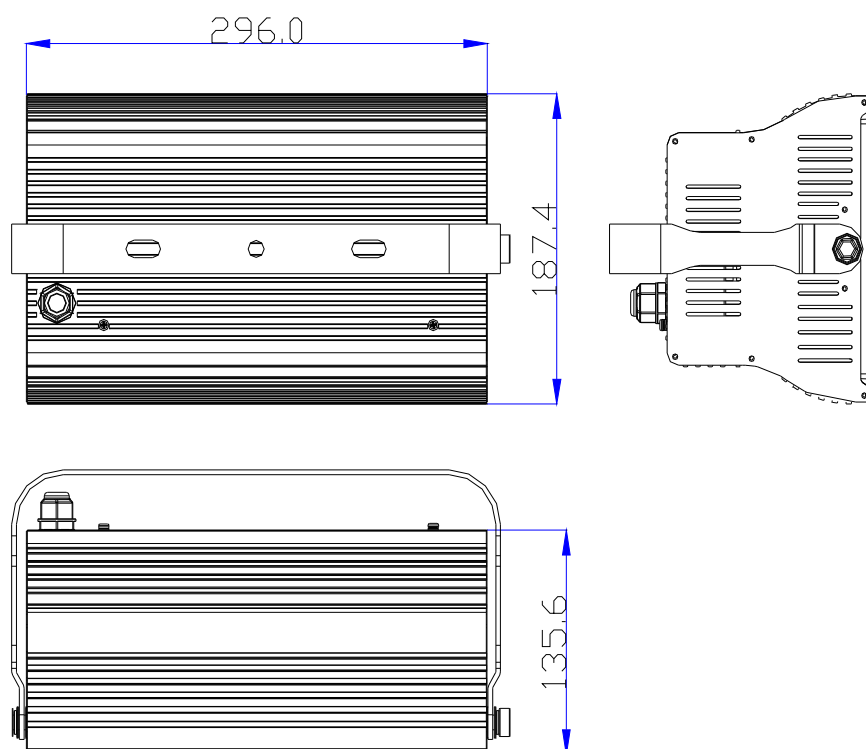
**◆ Product Features:**

- Aluminum die casting heat sink base with a cooling fan
- Integrated CREE WHT LED.
- Instant on/off
- Does not produce ultra violet (UV) light or IR
- Environmentally friendly – no mercury or other hazardous materials & fully recyclable
- Universal AC input /Full range, 100-277V
- Thermal protection system
- Short circuit / Over current / Over voltage / Over temperature protection
- IP65 design for outdoor
- RoHS
- Safety:Conform to GB7000.1-2007 / GB7000.5-2005  
CNS 14335、IEC 60598-2-3

## ◆ Photo:



## ◆ Dimension :



Unit: mm

**◆ Electronic Characteristics :**

Technical parameter	Numerical value	Unit
Input voltage range	100-277V(AC)	V
Input frequency	50/60	Hz
Power consumption	150±10%	W
Luminous flux	8500±10%	lm
IP rate	IP65	IP
PFC	>0.9	
Color temperature	6000±500	K
Light source life span	>5,0000	hrs
LED type	Cree LED	XPE WHT
LED Quantity	70	PCS
Weight	5.3	KG