



PARA LIGHT ELECTRONICS CO.,LTD

Tel: 886-2-2225-3733

Fax: 886-2-2225-4800

Mail: para@para.com.tw

Website: <http://www.para.com.tw>

Data Sheet

Product Name: LED Projection Lamp

Model Number : PARA-SPL-40WDF-QHA-CW-U

Version: A /0



Producer: Zhuang Wei **Auditing:** Yang Xiao Guang **Approval:** _____



LED Projection Lamp

PARA-SPL-40WDF-QHA-CW-U

Version: A / 0

FEATURES:

- Aluminum die casting heat sink base with Natural convection heat dissipation
- Integrated CREE X Lamp LED and the LED projection lamp has high power efficiency
- LED projection lamp has instant on/off features and hasn't flicker effect
- Does not produce ultra violet (UV) light or IR
- All materials meet green product according to RoHS requirement
- Universal AC input /Full range, 100~277Vac / 50~60Hz
- The viewing angle is 25°
- Short circuit / Over current / Over voltage / Over temperature protection
- The LED projection lamp has low power consumption
- IP65 design for outdoor
- Good light distribution: no multi-shadow
- The LED projection lamp has long operation life time and better than 2 years
- The product comply with UL certification, the registered number is E353926

PURPOSE:

- Provide the standards for solid state lighting, including LED linear light, LED bulb, LED down light, LED panel light, LED projection lamp, etc.

APPLICATION:

- The main application is using on big area such as mine, building surface, stadium, bridge, monument, garden and so on.

ENVIRONMENTAL CONDITION:

- The environmental condition as below:

Item	Condition	Notes
Operation Temperature [°C]	-20 ~ 40	
Operation Humidity [%]	8 ~ 90	
Storage Temperature [°C]	-20 ~ 40	
Storage Humidity [%]	5 ~ 90	



LED Projection Lamp

PARA-SPL-40WDF-QHA-CW-U

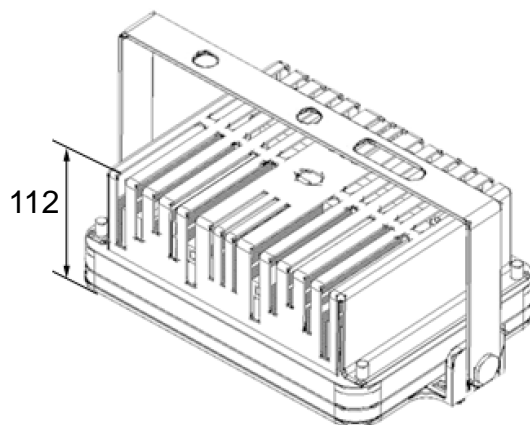
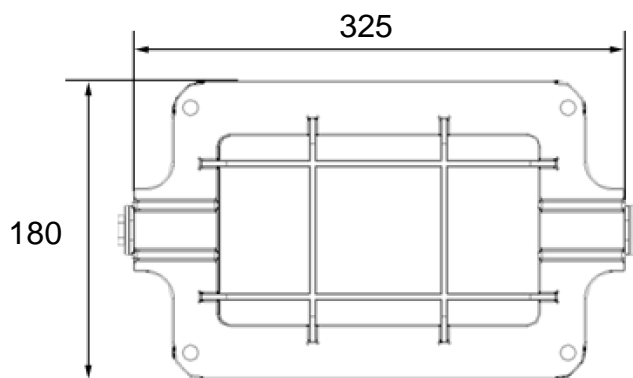
Version: A / 0

PRODUCT SPECIFICATION:

- Photo:



- Outline dimensions:



- Note:

- 1.All dimension unit is millimeters
- 2.The tolerance is ± 5 mm unless otherwise noted



LED Projection Lamp

PARA-SPL-40WDF-QHA-CW-U

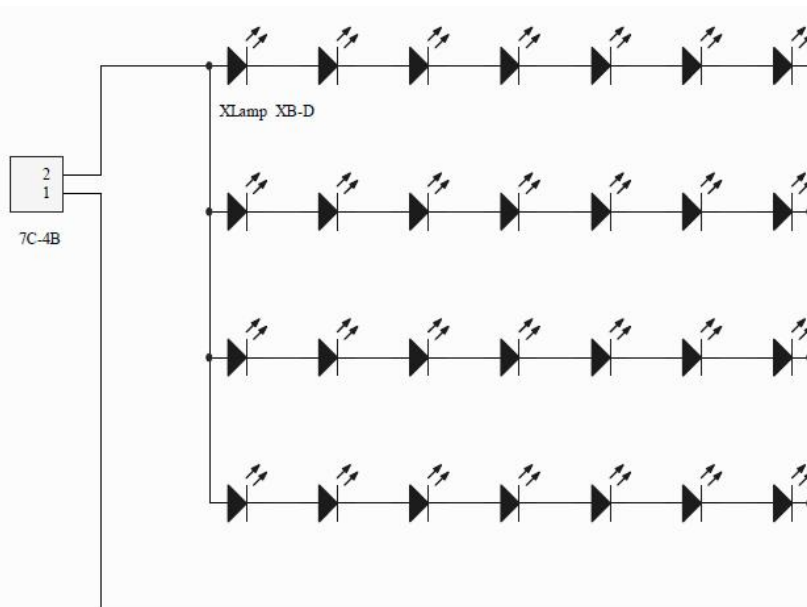
Version: A / 0

- Technical parameters:

Input Voltage Range	100~277Vac
Input Frequency	50/60 Hz
LED Type	Cree X Lamp XB-D
LED Quantity	28Pcs
IP Rate	IP65
Power Consumption	40 W±10%
Luminous Flux	>5000 lm
Color Temperature	6000K±500K
Power Factor	>0.9
Light Source Life Span	>25000 Hrs

- LED light panel circuit

1. Circuit: 7series, 4parallels, 28ea white LED





LED Projection Lamp

PARA-SPL-40WDF-QHA-CW-U

Version: A/0

- Optical Specification

1. Measurement Condition

1-1 Environmental Temperature: $25 \pm 2^{\circ}\text{C}$

1-2 Environmental Humidity: $50\% \pm 20\%$

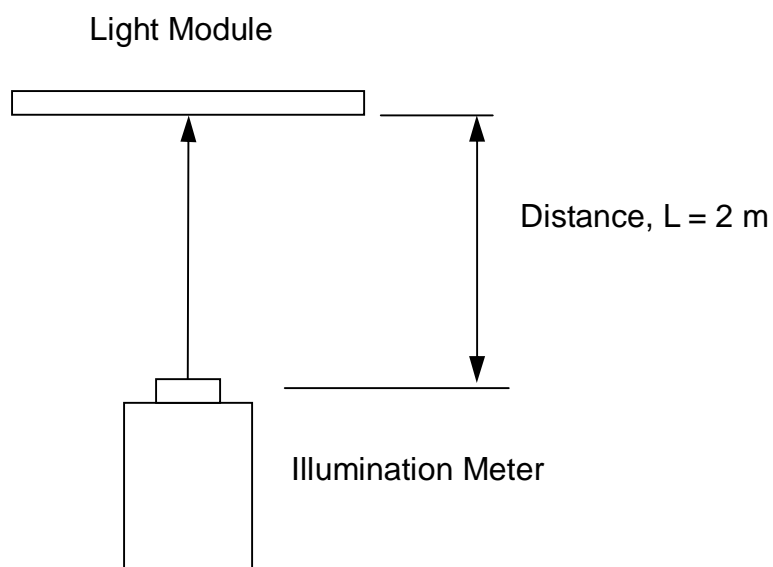
1-3 Environmental Luminance: Less than 10(lx) and windless (Typical)

2. Measurement Equipment

2-1 Illumination meter: GMS-2000

2-2 The PARA LIGHT inspection result is to be taken as the standard. Before approval, both PARA LIGHT and customer should inspect and correct the optical data measured by PARA LIGHT and customer,

3. Measuring means



4. Luminance Specification

Model Name	PARA-SPL-40WDF-QHA-CW-U					
Items	Position	Min	Typ	Max	Units	Notes
Illumination	Center	5000	-	-	Lumen	
CCT	Center	5500	6000	6500	K	

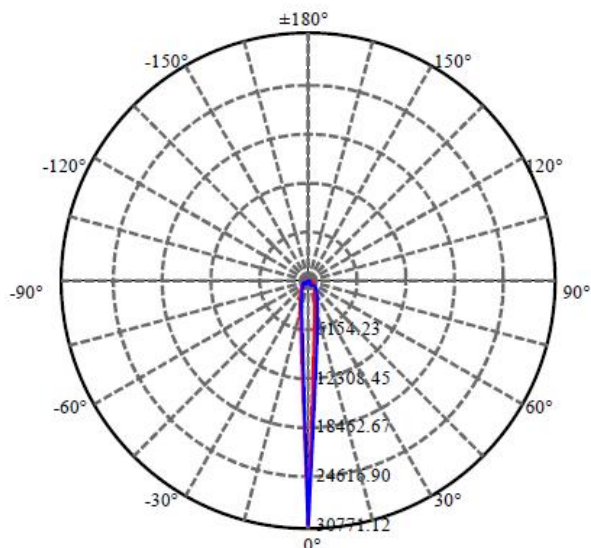


LED Projection Lamp

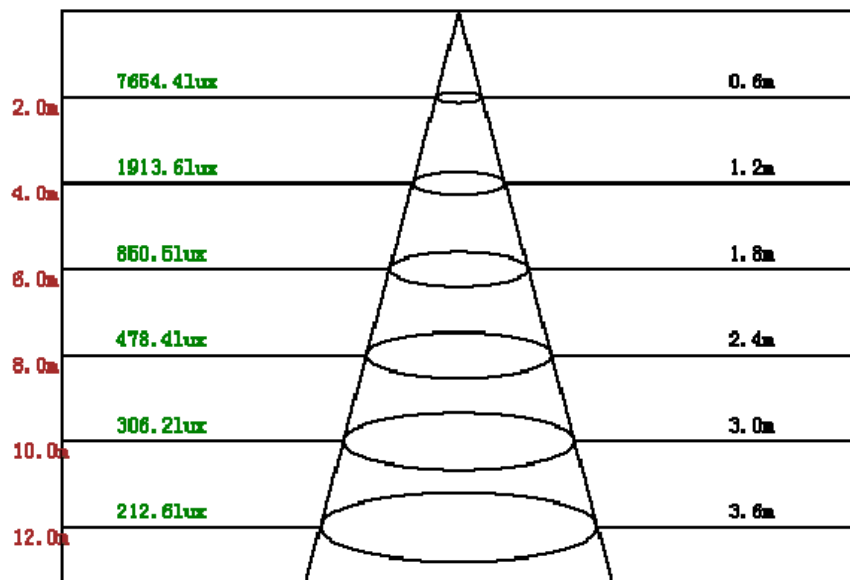
PARA-SPL-40WDF-QHA-CW-U

Version: A / 0

- Light intensity distribution (Unit: CD):



- Illumination at a distance:





LED Projection Lamp

PARA-SPL-40WDF-QHA-CW-U

Version: A / 0

- Reliability Test Specification

No	Item	Condition	Time	Judgment
1	Normal temperature operation	Ta=25°C, power on	10,000h	A,B
2	High temperature operation	Ta=60°C , power on	1,000h	A,B
3	Low temperature operation	Ta=-40°C , power on	1,000h	A,B
4	High temperature and humidity	Ta=60°C , RH=90% ,power on	1,000h	A,B
5	Thermal shock	Ta=-40~85°C	1,000 cy	A,B
6	High temperature on/off cycle	Ta=60°C, power on/off	50times	C
7	Low temperature on/off cycle	Ta=-40°C, power on/off	50times	C
8	Power on/off test	Ta=25 °C, power on/off	30,000cy	C
9	High temperature storage	Ta=85 °C	1,000h	A,B
10	High temp and humidity storage	Ta=60 °C, RH=90%	1,000h	A,B
11	Low temperature storage	Ta=-40 °C	1,000h	A,B
12	Vibration test	Vibration frequency:10~45Hz Vibration testHz:45Hz Operation vibration test:3hrs Shock:3G(x,y), 4G(z)	3hrs	B,D
13	Waterproof test	IP65 standard	30min	E,F
14	MTBF	Ta=45 °C, RH=85%	2,160h	G

1. Criteria:

- 1-1 A. Luminance must maintain more than 80% of the initial illumination intensity.
- 1-2 B. Apparent condition and structure have not abnormality.
- 1-3 C. There not being lighting abnormality at normal temperature.
- 1-4 D. There is no damage of the soldering point and defective lighting.
- 1-5 E. Ingress Protection code is more than 5.
- 1-6 F. There not decrease in performance by the water and the problem of the function.
- 1-7 G. Lifetime is more than 25,000 hours by lifetime prediction.



LED Projection Lamp

PARA-SPL-40WDF-QHA-CW-U

Version: A / 0

- Installing and Using:

1. Hold on a lamp arm:(The lamp arm is not including in this product)

Secure lamp head assembly to the end of the lamp arm with 3/8-inch lag bolt.

2. Mounting:

- 2-1. Select a location (Brick, Block or Concrete wall) and drill three holes, 3/8"

Diameter x 3" Length. Be sure to select the proper holes pattern for the model being installed. Recommended mounting height is 6-½ feet or higher.

- 2-2.For solid surfaces: 3/8-inch lag bolts with appropriate expansion anchors are recommended.

- 2-3.For hollow walls with no rear access, toggle bolts with expansion wings are recommended.

- 2-4. For hollow wall with rear access, use 3/8-inch bolts, washers, lock washers and nuts.

- Packing Specification

1. Put maximum 4 pieces LED projection lamp into outer carton.
2. Prevent LED projection lamp defect during transportation.
3. Complete the transportation simulation tests (Vibration frequency:10~45Hz / Vibration test Hz:45Hz / Operation vibration test:3hrs / Shock:3G(x,y), 4G(z)) and no LED projection lamp defect happened.
- 4.Using appropriate dust prevented approach for component and product that no dust source similar with sediment and unusual glutinous objects.



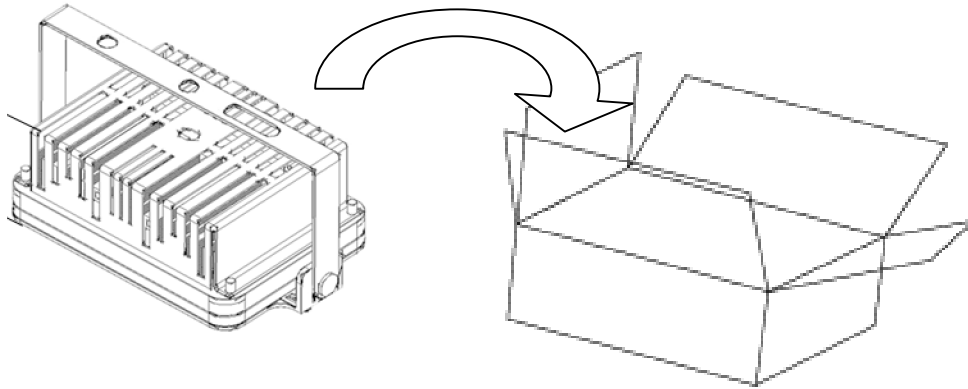
LED Projection Lamp

PARA-SPL-40WDF-QHA-CW-U

Version: A / 0

- Packing Flow

1. Put 1set LED projection lamp into inner carton



2. Put 4 sets inner carton with 4 pieces LED projection lamp into outer carton.

