



MHV Female Bulkhead Connector Crimp/ Solder Attachment For RG58

TECHNICAL DATA SHEET

PE44108

MHV Female Bulkhead Connector Crimp/Solder Attachment For RG58

Configuration

| | |
|--|--------------|
| Connector | MHV Female |
| Connector Specification | MIL-STD-348A |
| Connector Interface Type | RG58 |
| Cable Attachment Method (Shield/Contact) | Crimp/Solder |
| Body Style | Straight |
| Mount Method | Bulkhead |

Electrical Specifications

| | |
|---------------------------------------|-------|
| Impedance, Ohms | 50 |
| Dielectric Withstanding Voltage, Vrms | 1,600 |

Mechanical Specifications

Size

| | |
|---------------------|---------------|
| Length, in [mm] | 1.575 [40.01] |
| Width/Dia., in [mm] | 0.688 [17.48] |
| Weight, lbs [g] | 0.055 [24.95] |

Connector

| | |
|-------------------------------|------------------|
| Type | MHV Female |
| Contact Material and Plating | Brass, Gold |
| Contact Plating Specification | 30µ in. minimum |
| Body Material and Plating | Brass, Nickel |
| Body Plating Specification | 100µ in. minimum |
| Dielectric Type | Teflon |

Compliance Certifications (visit www.Pasternack.com for current document)

| | |
|----------------|-----|
| RoHS Compliant | Yes |
|----------------|-----|

Click the following link (or enter part number in "SEARCH" on website) to obtain additional part information including price, inventory and certifications: [MHV Female Bulkhead Connector Crimp/Solder Attachment For RG58 PE44108](#)

The information contained in this document is accurate to the best of our knowledge and representative of the part described herein. It may be necessary to make modifications to the part and/or the documentation of the part, in order to implement improvements. Pasternack reserves the right to make such changes as required. Unless otherwise stated, all specifications are nominal.



MHV Female Bulkhead Connector Crimp/ Solder Attachment For RG58

TECHNICAL DATA SHEET

PE44108

Plotted and Other Data

Notes:

Values at 25 °C, sea level

MHV Female Bulkhead Connector Crimp/Solder Attachment For RG58 from Pasternack Enterprises has same day shipment for domestic and International orders. Our RF, microwave and fiber optic products maintain a 99% availability and are part of the broadest selection in the industry.

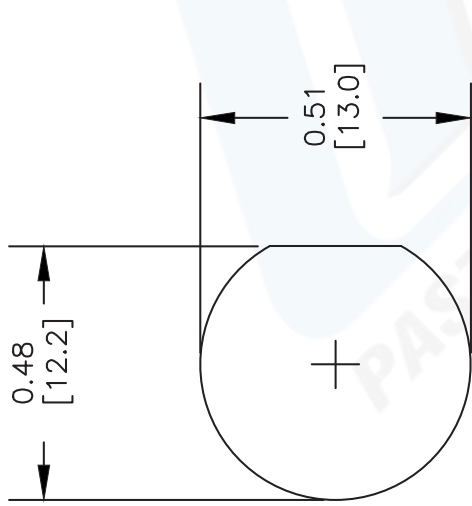
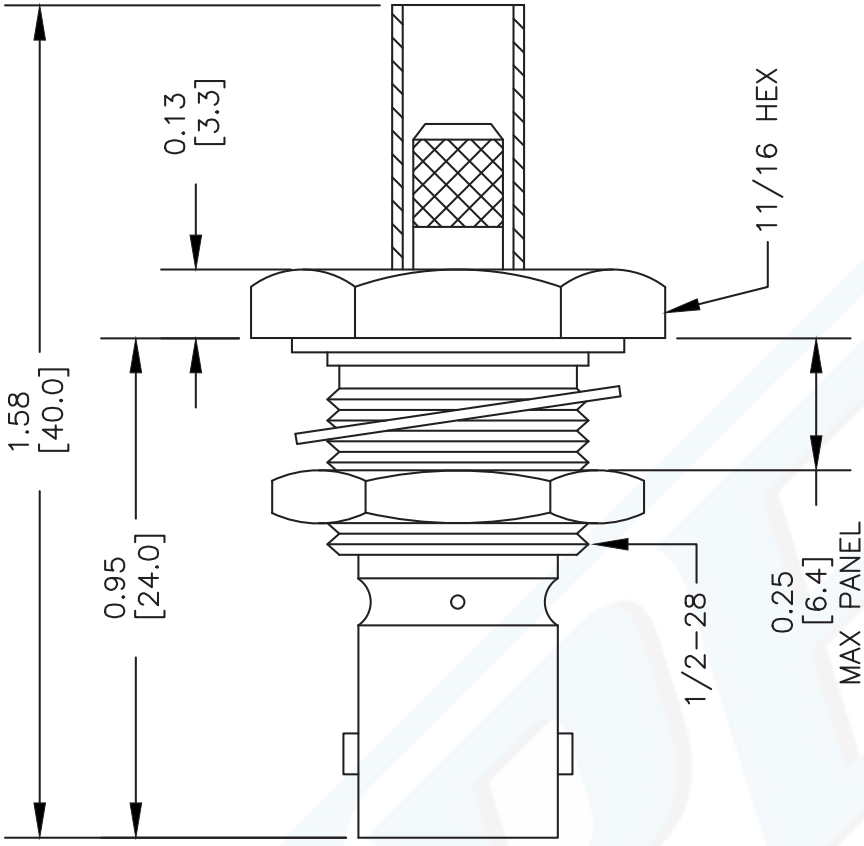
Click the following link (or enter part number in "SEARCH" on website) to obtain additional part information including price, inventory and certifications: [MHV Female Bulkhead Connector Crimp/Solder Attachment For RG58 PE44108](http://www.pasternack.com/mhv-female-standard-rg58-connector-pe44108-p.aspx)

URL: <http://www.pasternack.com/mhv-female-standard-rg58-connector-pe44108-p.aspx>

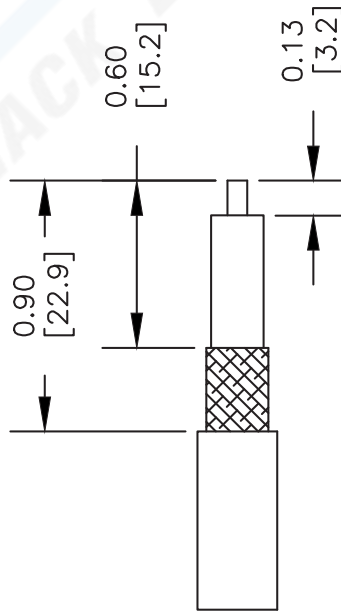
The information contained in this document is accurate to the best of our knowledge and representative of the part described herein. It may be necessary to make modifications to the part and/or the documentation of the part, in order to implement improvements. Pasternack reserves the right to make such changes as required. Unless otherwise stated, all specifications are nominal.

PE44108 CAD Drawing

MHV Female Bulkhead Connector Crimp/Solder Attachment For RG58



MOUNTING HOLE



STRIPPING DIMENSIONS

CRIMP SIZE REQUIRED

CONTACT: SOLDER
 FERRULE: .213" HEX CRIMP TOOL



PASTERNACK
 Pasternack Enterprises, Inc.
 P.O. Box 16759 | Irvine | CA | 92623
 Phone: (949) 261-1920 | Fax: (949) 261-7451
 Website: www.pasternack.com | E-Mail: sales@pasternack.com

DWG TITLE

PE44108

- NOTES:
1. UNLESS OTHERWISE SPECIFIED ALL DIMENSIONS ARE NOMINAL.
 2. ALL SPECIFICATIONS ARE SUBJECT TO CHANGE WITHOUT NOTICE AT ANY TIME.
 3. DIMENSIONS ARE IN INCHES [mm].
 4. FITS MIL-C-17 AND EQUIVALENT CABLES.

REV. A FSCM NO. 53919

CAD FILE 042210

SCALE N/A

SIZE A

147