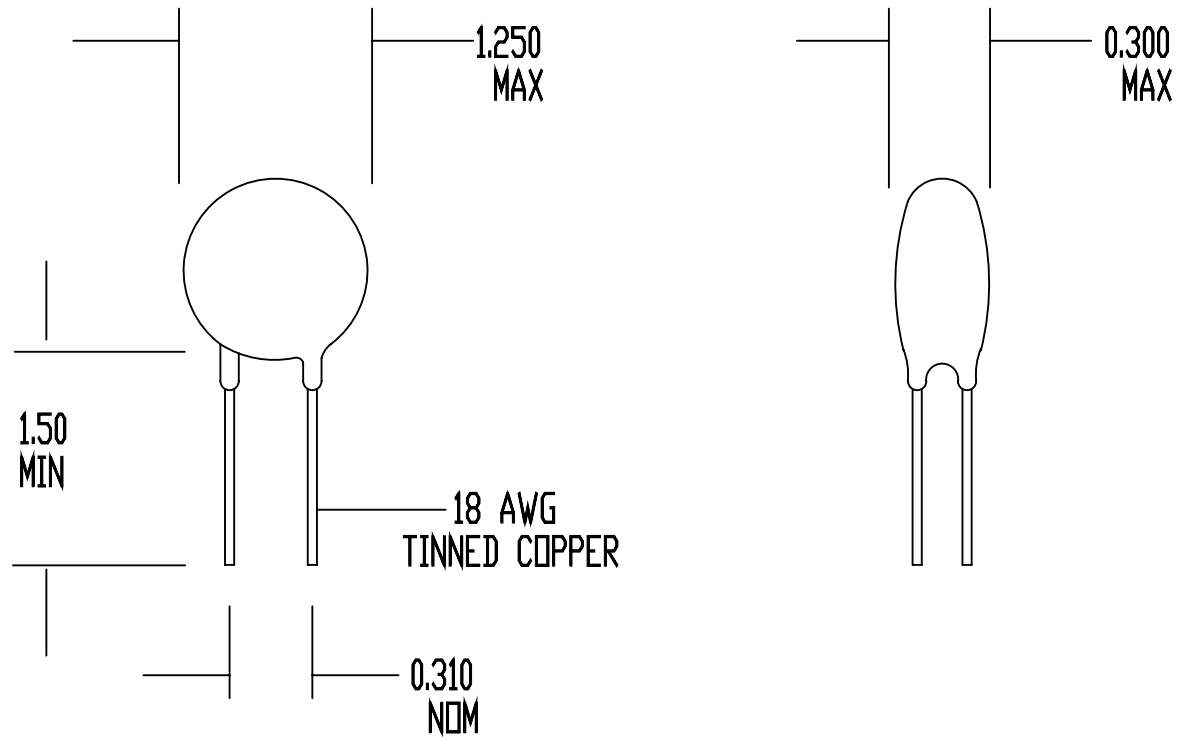


REV	DATE	ECO#

DRAWING NOT TO SCALE  
ALL DIMENSIONS IN INCHES



SPECIFICATIONS:  
 RESISTANCE AT 25 DEG C = 2 OHMS +/- 25%  
 MAXIMUM CONTINUOUS CURRENT (I<sub>max</sub>) = 23 AMPS  
 RESISTANCE AT I<sub>max</sub> = 0.025 OHMS NOMINAL  
 MAXIMUM VOLTAGE RATING = 265 VAC (RMS)  
 MAXIMUM SURGE RATING = 250 JOULES  
 ENCAPSULATION = SILICONE RESIN  
 MARKING = OPTION  
 LEADS = RODAN P/N STL209-50

DRAWN BY F. TISED		<b>AMETHERM</b> <i>Circuit Protection Thermistors</i>
DATE 7/14/92		
REV NONE	APP	SURGE-GARD INRUSH CURRENT LIMITER
SHEET 1 OF 1		SG420