

RoHS Compliant Product  
A suffix of "-C" specifies halogen & lead-free

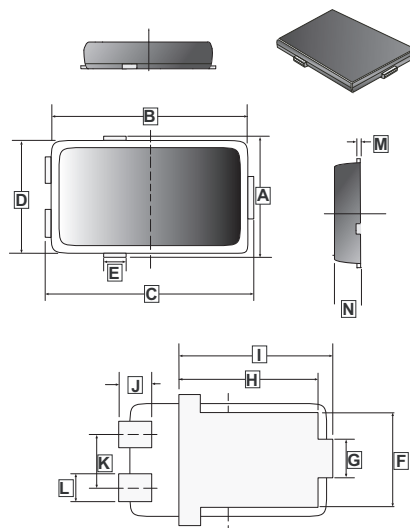
## FEATURES

- Low leakage
- Low forward voltage drop
- Super long operating life
- Plastic package has Underwriters Laboratory Flammability Classification 94

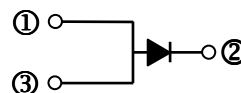
## PACKAGE INFORMATION

Package	MPQ	Leader Size
TO-277A	4K	13 inch

## TO-277A



REF.	Millimeter		REF.	Millimeter	
	Min.	Max.		Min.	Max.
A	4.4	4.8	H	4.05 Typ.	
B	5.9	6.3	J	4.4	4.8
C	6.3	6.7	K	2.0	2.2
D	4.1	4.5	L	1.0	1.4
E	0.65 Typ.		M	0.15	0.35
F	3.55	3.95	N	1.0	1.4
G	1.85	2.25			



## MAXIMUM RATINGS AND ELECTRICAL CHARACTERISTICS

(Rating 25°C ambient temperature unless otherwise specified. Single phase, half wave, 60Hz, resistive or inductive load.  
For capacitive load, derate current by 20%.)

Parameters	Symbol	Rating	Units
Maximum Repetitive peak Reverse Voltage	$V_{RRM}$	200	V
Maximum RMS Voltage	$V_{RMS}$	140	V
Maximum DC Blocking Voltage	$V_{DC}$	200	V
Maximum Forward Voltage @ $I_F=8A$	$V_F$	0.85	V
Maximum Average Forward Rectified Current @ $T_L=90^\circ C$	$I_{F(AV)}$	8	A
Peak Forward Surge Current, 8.3ms single half sine-wave superimposed on rated load (JEDEC method)	$I_{FSM}$	100	A
Maximum DC Reverse Current at Rated DC Blocking Voltage	$I_R$	$T_J=25^\circ C$	0.5
		$T_J=100^\circ C$	10
Thermal Resistance Junction to Case	$R_{\theta JC}$	3	°C / W
Operating and Storage Temperature Range	$T_J, T_{STG}$	-55~150	°C