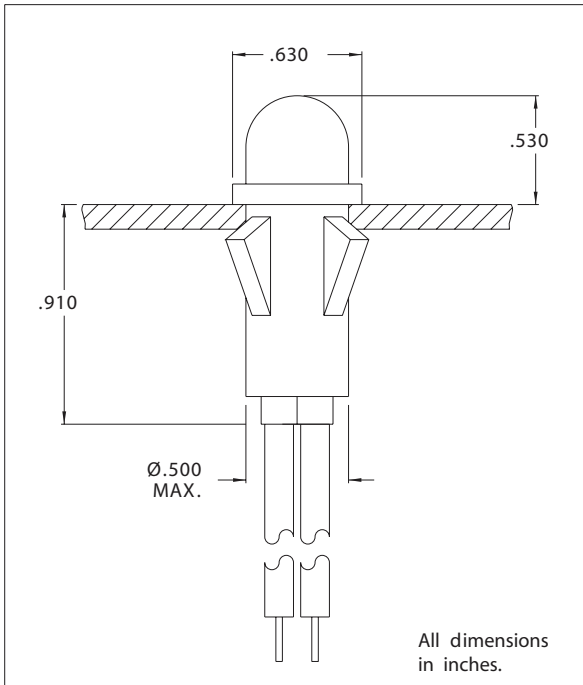


1050A, 1051A, 1052A, 1053A and 1090A Series Non-Relampable Neon-Incandescent Indicator Lights

Description and Features



Mounting: Will snap-fit into Ø.500/.505 hole in panels .020/.100 thick. Push-on speednut SN0461 also available. Mounting hole pattern on page SP2.

Wire Leads: No. 22 AWG (105°C) 4.40/4.80 long, stripped .430/.570

Lens: Nylon on model 1050A1, 1050A3, 1050A4, 1050A1, 1051A3, 1051A4, Polycarbonate on all other models.

Bezel: Polished stainless steel. For black finish add "X" after the series letter(s).

Housing: White Nylon

Lens Color	Neon		Incandescent	
	Model No. (105-125VAC)	Model No. (208-250VAC)	Model No. (12V)	Model No. (28V)
Red	1050A1	1051A1	1090A1-12V	1090A1-28V
Clear	1050A2	1051A2	-	-
Amber	1050A3	1051A3	1090A3-12V	1090A3-28V
White	1050A4	1051A4	1090A4-12V	1090A4-28V
Green	1052A5*	1053A5*	1090A5-12V	1090A5-28V
Blue	1052A6**	1053A6**	1090A6-12V	1090A6-28V
Lamp used	C2A+R resistor	C2A+R resistor	#2162	#2187
Lead Color	Black	One Black/One Red	Yellow	Purple

* Incorporates G2B lamp and resistor.

** Incorporates T2B lamp and resistor.

Underwriters Laboratories (UL) File No. E20325

Canadian Standards Association (CSA) File No. LR13346