

140mm sq.

San Ace 140

38mm thick



General Specifications

- Material Frame: Plastics (Flammability: UL94V-0),
Impeller: Plastics (Flammability: UL94V-1)
- Expected Life Refer to specifications (L10:Survival rate:90% at 60°C ,
rated voltage, and continuously run in a free air state)
- Lead Wire ⊕red ⊖black or blue (Sensor) yellow
- Storage Temperature -30°C to +70°C (Non-condensing)

140×140×38mm [Mass : 450g]

Specifications

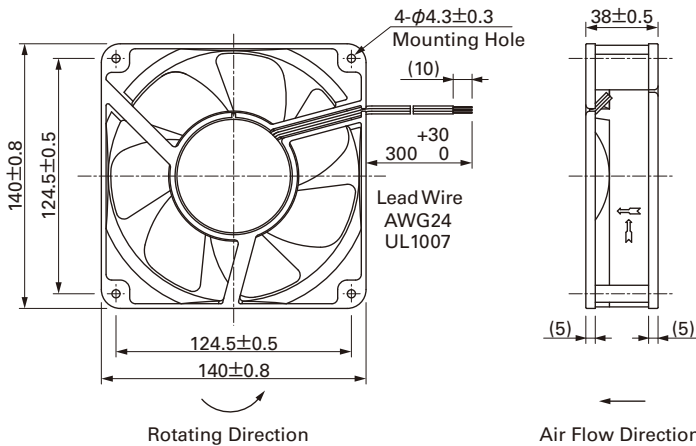
The following nos. **have pulse sensors and ribs.**

Model No.	Rated Voltage [V]	Operating Voltage Range [V]	Rated Current [A]	Rated Input [W]	Rated Speed [min ⁻¹]	Max. Air Flow [m ³ /min] [CFM]	Max. Static Pressure [Pa] [inchH ₂ O]	SPL [dB(A)]	Operating Temperature [°C]	Expected Life [h]
109P1412H101	12	10.2 to 13.8	0.73	8.76	2,600	4.5 159	94 0.378	46	-20 to +70	40,000
109P1412M101			0.33	3.96	1,900	3.3 117	52 0.209	38		
109P1424H101	24	20.4 to 27.6	0.37	8.88	2,600	4.5 159	94 0.378	46		
109P1424M101			0.16	3.84	1,900	3.3 117	52 0.209	38		
109P1448H101	48	40.8 to 55.2	0.2	9.6	2,600	4.5 159	94 0.378	46		
109P1448M101			0.09	4.32	1,900	3.3 117	52 0.209	38		

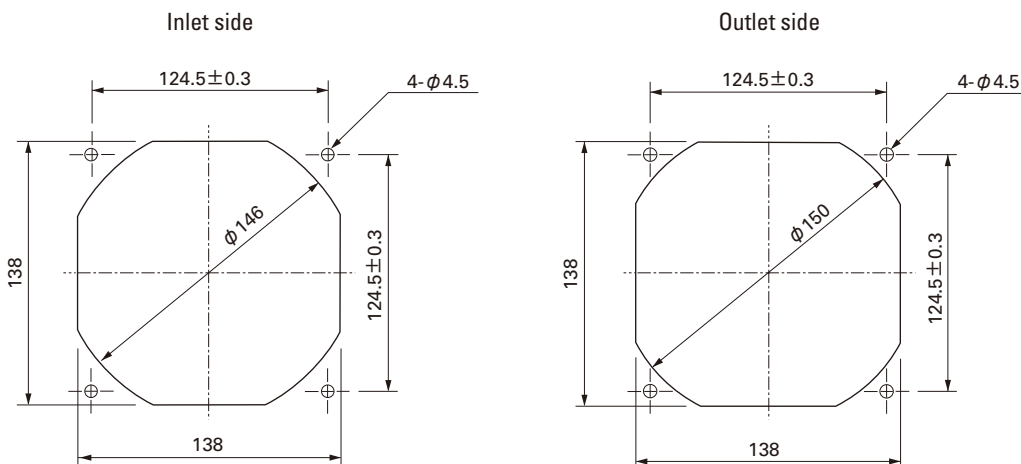
Available options: ⇒ **Without Sensor**

Please inquire as the availability of these functions depend on the model. ⇒ **Lock Sensor**

Dimensions (Unit : mm)



Reference dimension of mounting holes and vent opening (Unit : mm)



Options (Unit : mm)

Finger guards

Model : 109-719

Surface treatment : Nickel-chrome plating (silver)

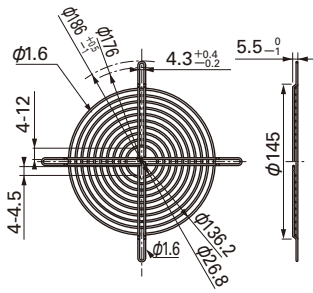
Color

Model : 109-719H

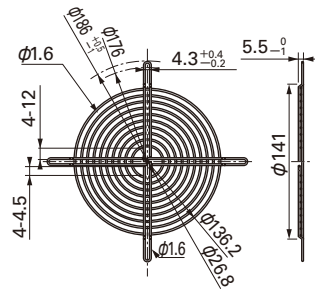
Surface treatment : Cation electropainting (black)

Color

Inlet side, Outlet side

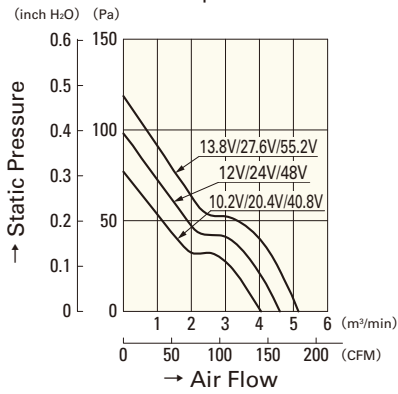


Inlet side, Outlet side



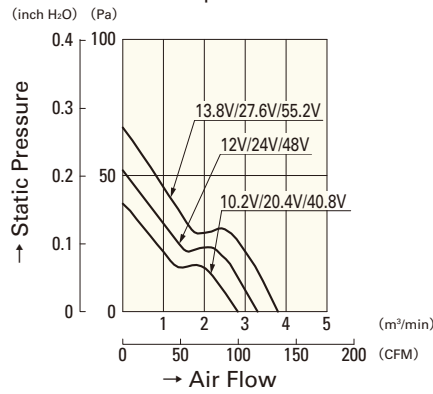
Air Flow - Static Pressure Characteristics

H speed



109P1412H101
109P1424H101
109P1448H101

M speed



109P1412M101
109P1424M101
109P1448M101