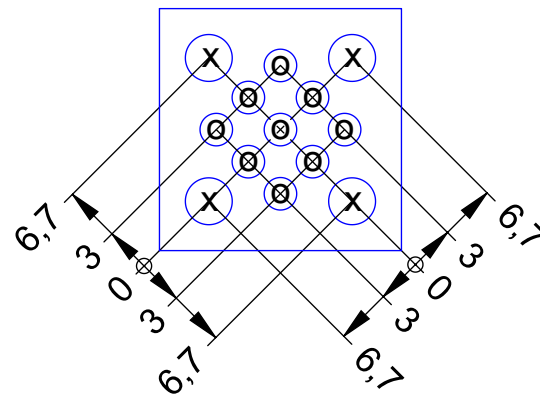
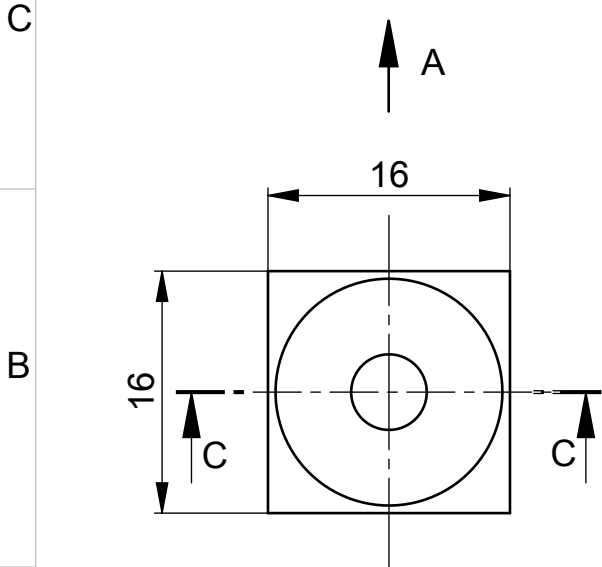


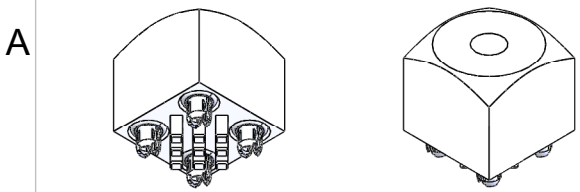
Layoutvorgabe (Ansicht PCB)



Lochspezifikation:

- o Bohrdurchmesser:  $\phi 2,30^{+0,00}_{-0,03}$
- Enddurchmesser chem. Zinn:  $\phi 2,175^{+0,05}_{-0,05}$   
(Cu: min. 30 $\mu$ m - max. 60 $\mu$ m)
- Enddurchmesser HAL bleifrei:  $\phi 2,15^{+0,05}_{-0,05}$   
(Cu: min. 25 $\mu$ m, Sn: max. 15 $\mu$ m)

- x Bohrdurchmesser:  $\phi 3,20^{+0,00}_{-0,03}$
- Enddurchmesser:  $\phi 3,10^{+0,04}_{-0,06}$



Copyright by ERNI GmbH  
Proprietary notice pursuant to ISO 16016 to be observed.

Material / Surface		Tolerances		Scale 2:1	Original drawing
		<p>All Dimensions in mm</p>		Drawing Number 225415	
		Drawn	Date	Designation	
		Checked	Date	ERNI BCS Powerelement	
		Approved	Date	Buchse M6	
		<p>Electronics GmbH BLUEcontact Solutions D-73099 ADELBERG</p>		Customer Part Number	
A	Neuerstellung	15.03.12	M.Tolj		
Index	Modification Nr.	Date	Name		
				A4	