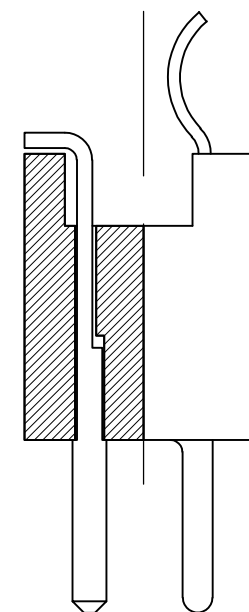
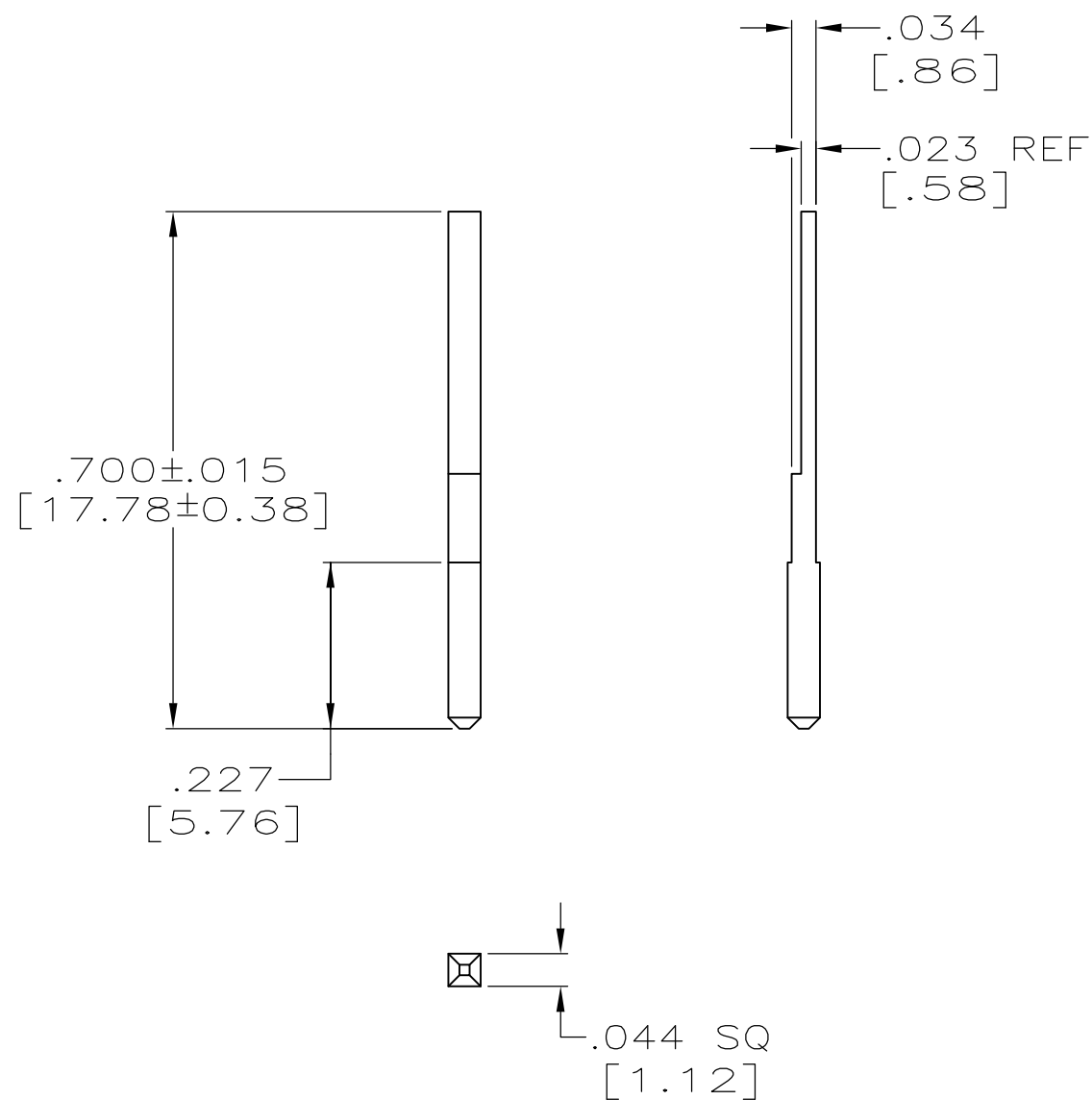


THIS DRAWING IS UNPUBLISHED. RELEASED FOR PUBLICATION
 © COPYRIGHT BY TYCO ELECTRONICS CORPORATION. ALL INTERNATIONAL RIGHTS RESERVED.

LOC	DIST	REVISIONS			
P	LTR	DESCRIPTION	DATE	DWN	APVD
	B	REVISED PER ECO-10-015533	09AUG10	PY	DM

APPLICATION INFORMATION:

1. REMOVE PIN AND RECEPTACLE CONTACTS IN DESIRED KEYING POSITIONS.
2. INSERT KEYING PIN IN PIN HEADER, SECURE BY BENDING OVER OUTSIDE EDGE OF HOUSING AND TRIM EXCESS MATERIAL.



M55302/31-03	530328-2
MILITARY PART NUMBER	PART NUMBER

THIS DRAWING IS A CONTROLLED DOCUMENT.		DWN T. ALEXANDER 12-14-94	Tyco Electronics Corporation Harrisburg, PA 17105-3608	
DIMENSIONS: mm	TOLERANCES UNLESS OTHERWISE SPECIFIED:	CHK D. MILLER 12-22-94	NAME SOLID KEYING PIN FOR BOX CONNECTORS	
	0 PLC ± - 1 PLC ± - 2 PLC ± - 3 PLC ± .005 [.13] 4 PLC ± - ANGLES ± -	APVD B. FOLEY 12-22-94	PRODUCT SPEC APPLICATION SPEC	
MATERIAL BRASS	FINISH NICKEL PLATED	WEIGHT -	SIZE A3	CAGE CODE 00779
CUSTOMER DRAWING			DRAWING NO C-530328	RESTRICTED TO -
			SCALE 4:1	SHEET 1 OF 1
			REV B	