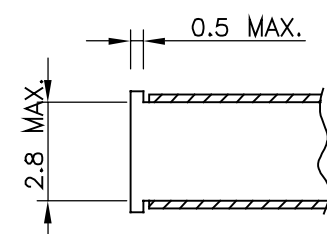
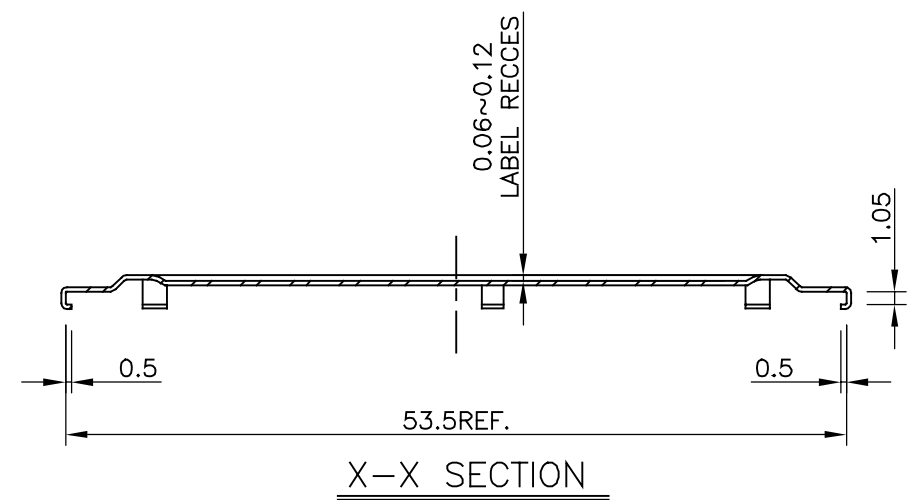
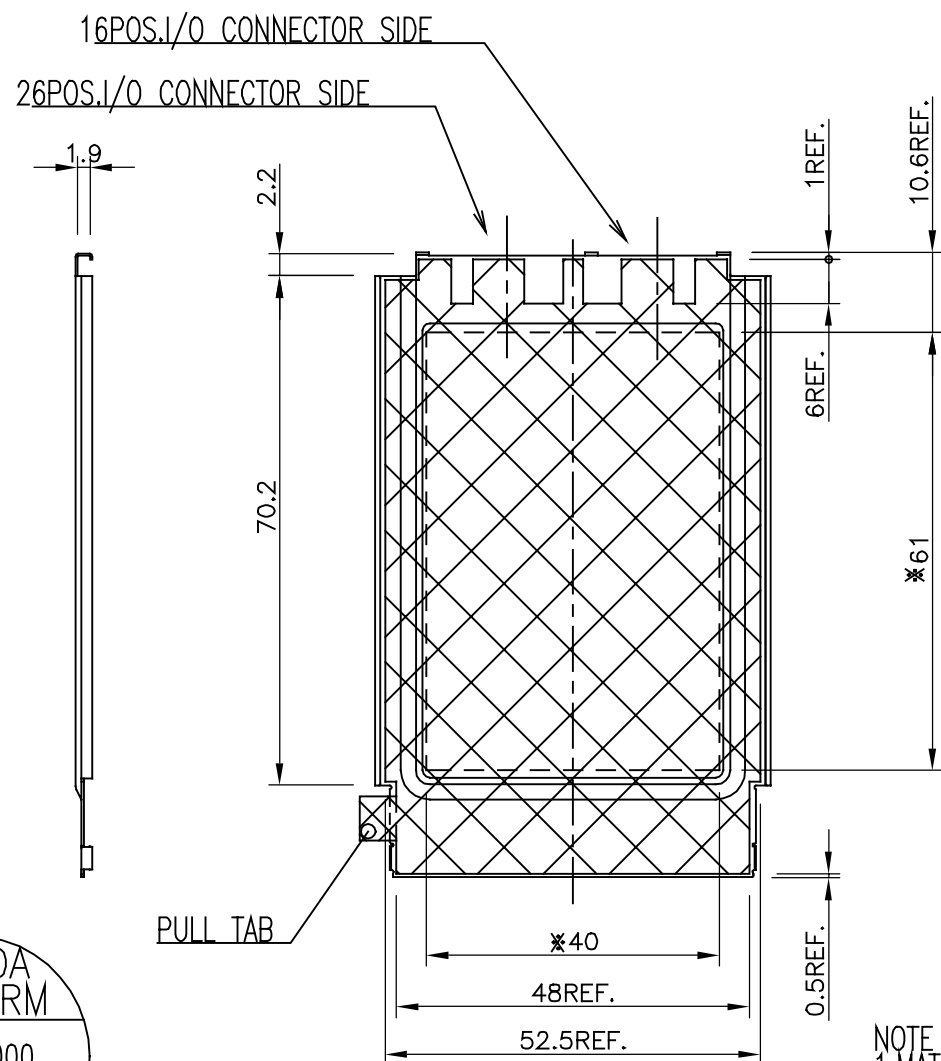
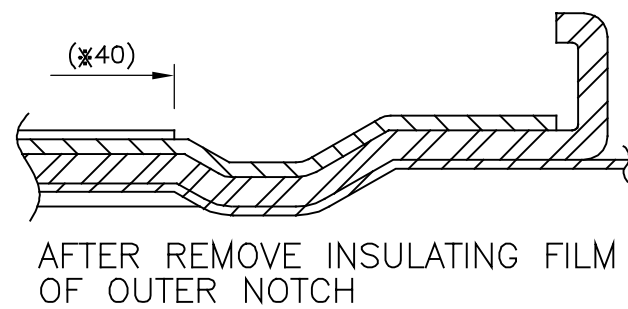
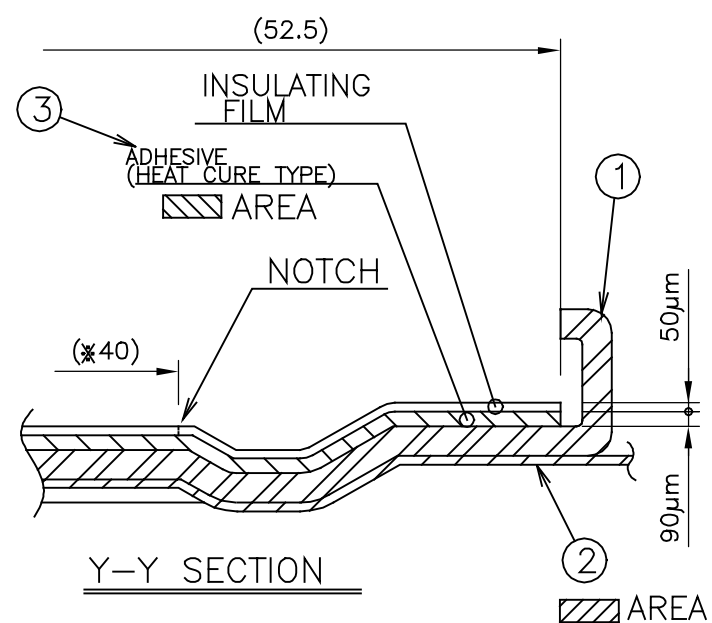


HONDA  
PRINT RM  
JUL.14.2000  
ISSUED



▨ AREA: PROTECTION TAPE  
 ⊠ AREA: SEPARATOR STICKING ON ADHESIVE TAPE

- NOTE  
 1. MATERIAL: STAINLESS STEEL (0.2mm THICKNESS.)  
 2. APPLICABLE PC CARD FRAME  
 P/N: ICM-STD-68FR2-BD42N-OM( ) AND OTHERS.  
 3. ASSEMBLY TOOLS  
 LOCATOR P/N: FHAT-0100-A  
 HAND PRESS P/N: FHAT-0100HP  
 ADHESIVE CURING HEATER P/N: FHAT-0100B-AB-( ) (PNEUMATIC)  
 COOLER P/N: FHAT-0100C-AB-( ) (PNEUMATIC)  
 4. REMOVE SEPARATOR EXCEPT FOR THE \*DIMENSION AREA WHEN THIS ITEM IS USED. (CONFER FIG.)  
 5. WHEN PULL THE TAB, PRESS DOWN ADHESIVE OF \*DIMENSION AREA.



△				3	SEPARATOR STICKING ON ADHESIVE TAPE	—	1	—	—	
△				2	PROTECTION TAPE	PE	1	—	—	
△				1	METAL COVER	STAINLESS STEEL	1	LUSTERLESS	THICKNESS t=0.2	
LTR.	DATE	BY	REV.	DESCRIPT	NO.	PART NAME	MATERIAL	QTY	FINISH	NOTE
	DATE		SCALE	UNIT	3RD . A . P	HONDA TSUSHIN KOGYO., LTD.				
	JUN.23 (1999)		1 / 1	mm(INCH)		PCMCIA STANDARD TYPE II PC CARD METAL COVER FOR BOTTOM SIDE (42POS. I/O CONNECTOR TYPE)				
DR.	DE.	CHK.	CHK.	APP.	NAME	PART NO. ICM-STD-68MS2-BD42AH-1BCD				