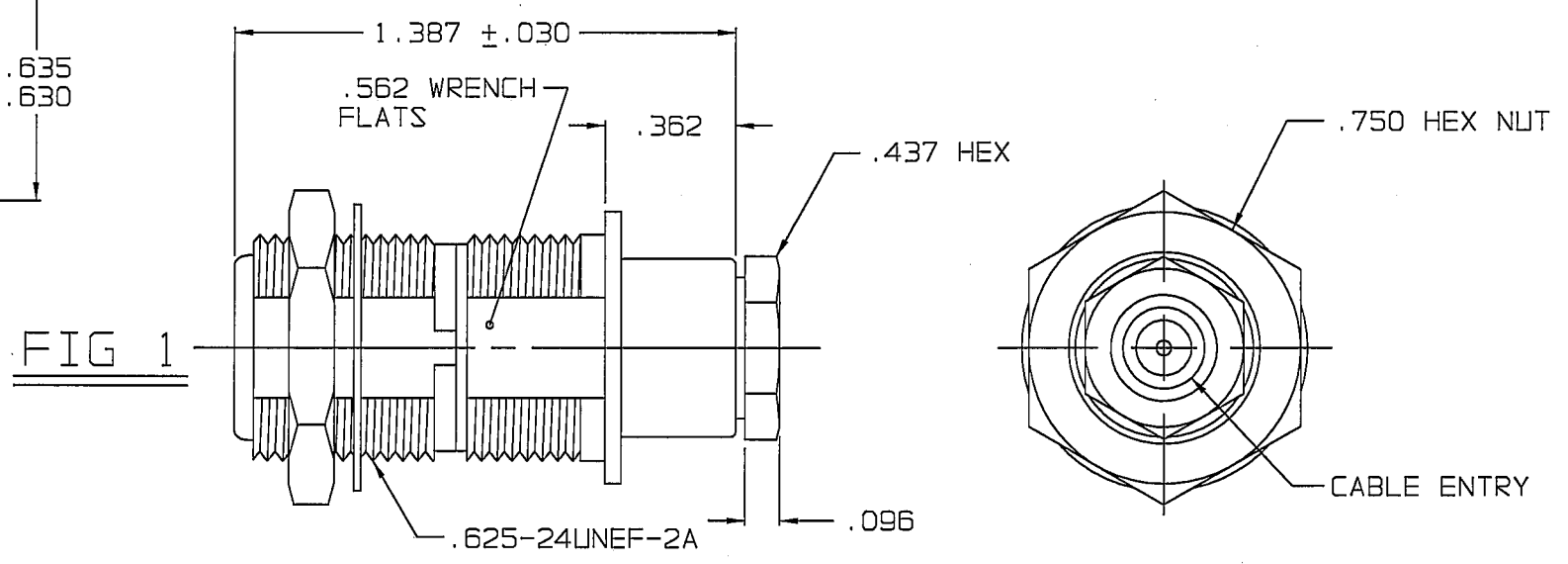
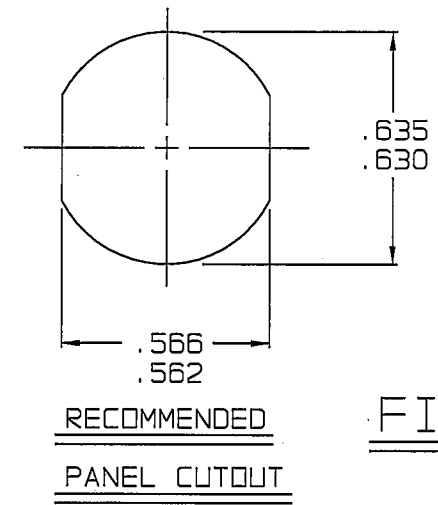
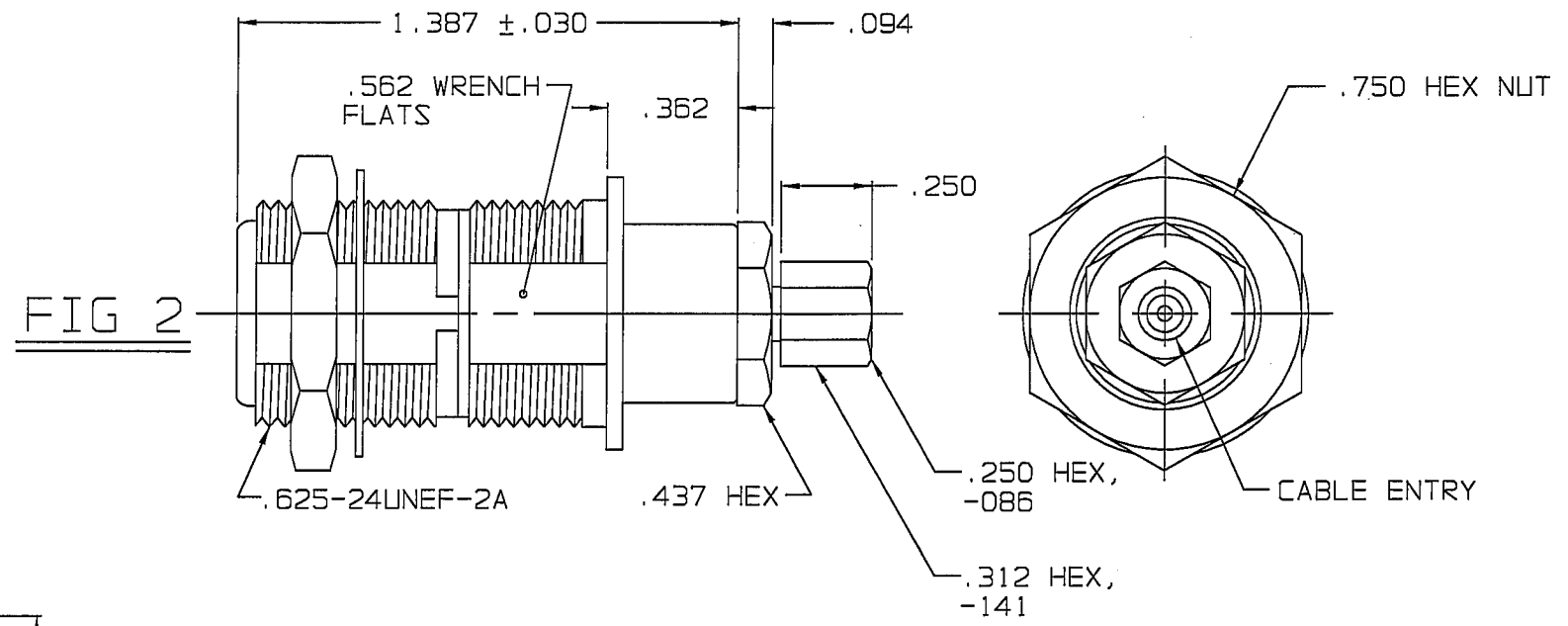


DATA CONTAINED IN THIS DOCUMENT IS PROPRIETARY TO TROMPETER ELECTRONICS INC. AND SHALL NOT BE DISCLOSED, COPIED OR USED FOR PROCUREMENT OR MANUFACTURE WITHOUT EXPRESS WRITTEN PERMISSION OF TROMPETER ELECTRONICS INC.

REVISIONS		105-0185	SH 1
REV	DESCRIPTION	DATE	APPROVED
J	REVISED PER ECD 15935	9/15/05	JM

RED INDICATES ORIGINAL

DASH NO	FIG	CABLES ACCOMMODATED	ASSEMBLE PER
-1	1	RG-58	TA-101
-U1		ESSEX 621-715	
-2		RG-59	
-U2		BELDEN 8279	
-2A			
-U2A		BELDEN 8279	
-2B			
-U2B'		W.E.CO. 730A	
-3		RG-223	
-U3			
-3A		RG-55	
-U3A			
-4		RG-122	
-U4		BELDEN 8218	
-5		RG-174	
-U5		RG-187	
-5A		RG-196	
-U5A			
-5B		HEWLETT-PACKARD 8120-1107	
-U5B			
-21 -U21		RG-303	
-22 -U22		RG-180	
-31		GRUMMAN GC875GP1	
-U31		RG-187 DBL SHLD	
-34		BELDEN 8228	
-U34			
-36		MICRODOT 275-3991	
-U36		AMPEX 616-569	
-37		RAYCHEM 810	
-U37			
-41	RG-304		
-U41	BELDEN 9248		
-44	BRAND-REX B749		
-U44	GDRE C06C032		
-086	2	RG-405	TAI-130
-U086			
-141		RG-402	
-U141			



- 3. DASH NO DENOTES CABLE GROUP EXCEPT "U" PREFIX DENOTES 75 OHM VERSION
- 2. FINISH: TFS-1A (NICKEL)
- 1. ALL DIM ARE IN INCHES

- 5. MAX PANEL THK .203
- 4. INSULATED FEMALE TYPE N COAXIAL BULKHEAD JACKS, 50 & 75 OHM VERSIONS

<small>INTERPRET DRAWING PER MIL-STD-100 DIMENSIONS ARE IN INCHES AND INCLUDE FINISH THICKNESS UNLESS OTHERWISE SPECIFIED</small>		<small>TOL: UNLESS SPECIFIED .XXX ± .005 .XXXX ANGLES</small>				
<small>DRAWN</small> AAH	<small>DATE</small> 9-13-05	<small>MATERIAL:</small>	<small>TITLE:</small> BJ96/LBJ96			
<small>CHECKED</small> J.M.	<small>DATE</small> 9-13-05	<small>FINISH:</small>	<small>SIZE</small> B	<small>CAGE CODE</small> 14949	<small>DRAWING NO.</small> 105-0185	<small>REV.</small> J
<small>QUALITY</small>	<small>MANUF</small>	<small>DO NOT SCALE DWG</small>	<small>SCALE</small> 2/1	<small>DATE:</small> 5-21-71	<small>SHEET</small> 1C	<small>NEXT ASSY</small> 105-0185J