

**SPECIFICATIONS**

**Mechanical**

**Mating Force:** 1.5Kg max. (3.33Lb)  
**Unmating Force:** 0.35Kg min. (0.78Lb)  
**Durability:** 20000 Cycles

**Electrical**

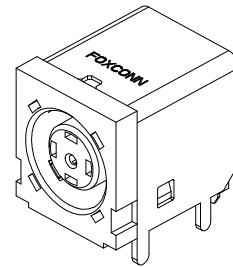
**Voltage Rating:** 42V  
**Current Rating:** 10A max.  
**Contact Resistance:** 30mW max. (initial)  
 40mW max. (after Life Test)  
**Dielectric Withstanding Voltage:** 150V AC/1min min.  
**Insulation Resistance:** 100MW min.

**Physical**

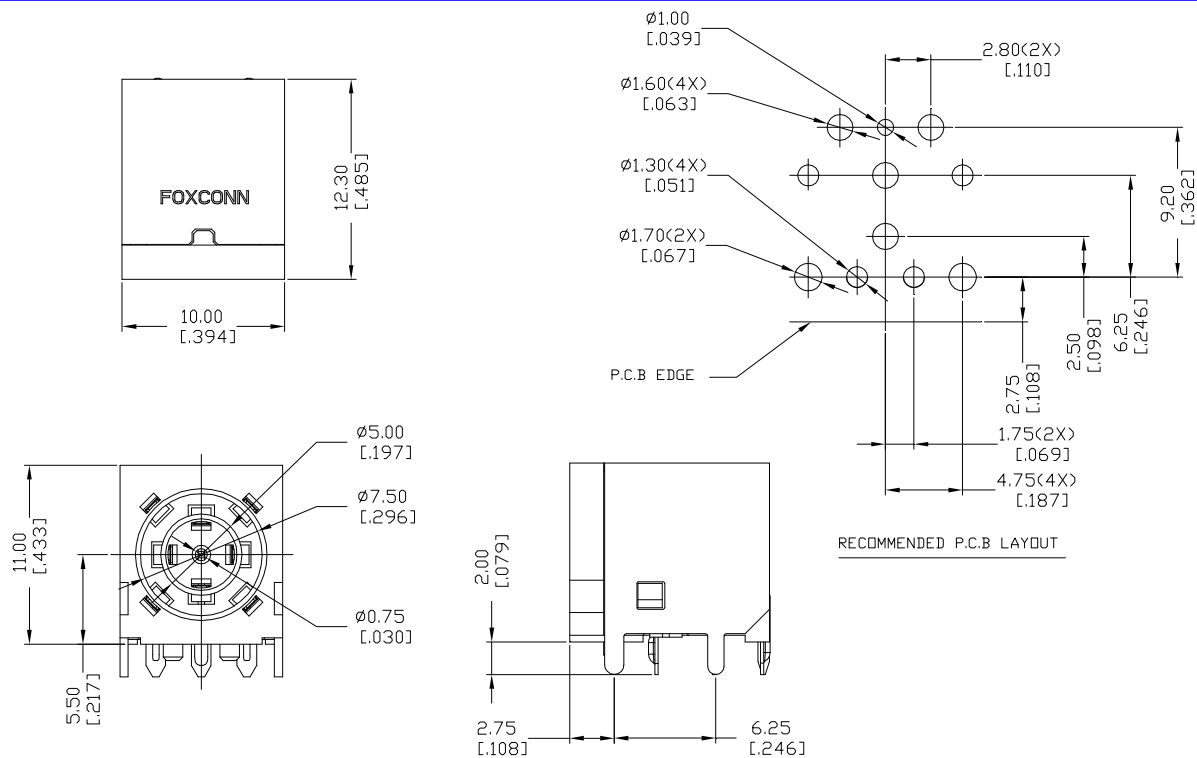
**Housing:** Hi-Temp. Thermoplastic, UL 94V-0 rated  
**Contact:** Copper alloy  
**Plating:** See "ORDERING INFORMATION"  
**Operating Temperature:** -40 to +85

**DC Power Jack Connector**

**JPD Series**  
**Right Angle, T/H**  
**3 Pos.**



**DRAWING**



**ORDERING INFORMATION**

