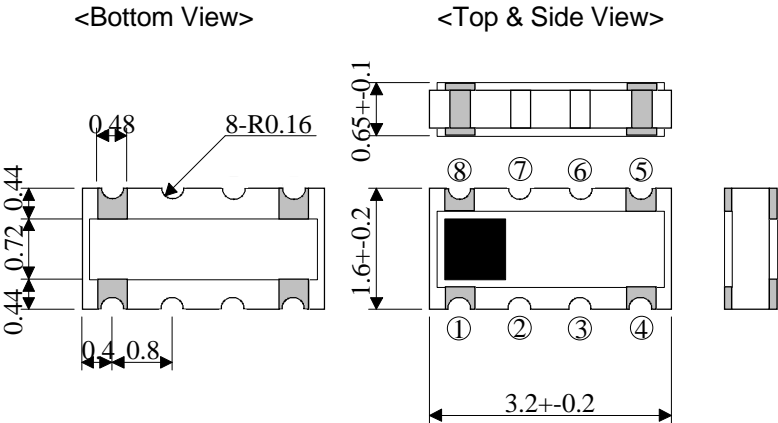


# EHF FD1621 1:4 Balun

[Dimensions] unit : mm

[Pin Assignment]



No.	
1	GND
2	NU
3	NU
4	OUT 2
5	OUT 1
6	NU
7	NU
8	IN

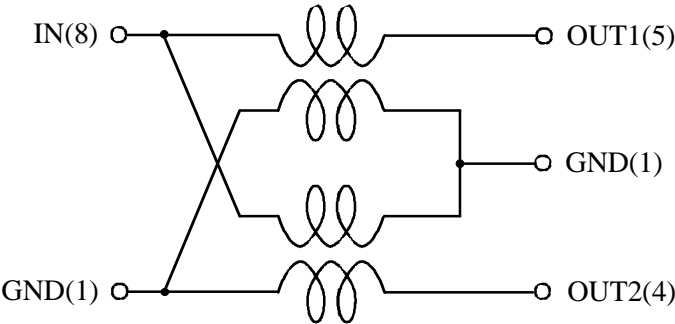
NU : None Use Terminal

[Characteristics] Ta=25°C

No.	Item	Condition	Specification			Unit
			min.	typ.	max.	
1	Frequency		1100	-	1450	MHz
2	Insertion Loss	Back to Back	-	(0.7)	1	dB
3	Phase	50/200	165	180	195	deg.
4	Impedance	In / Out	-	50/200	-	ohm

[Equivalent Circuit]

[Recommended Land Size]



unit : mm

