

### Power Inductors / Wire Wound type

Series: **G**  
 Type: **ELLVEG**  
**ELLVFG-C**  
**ELLVGG**  
**ELLVGG-C**



#### ■ Features

- Magnetic shielded structure
- Low DC resistance and large current capability
- Shock resistant
- RoHS compliant

#### ■ Recommended Applications

- DC-DC converter circuitry for computer peripherals and cellular phones.
- Chopper circuit decoupling chokes for DC-DC converter circuitry.

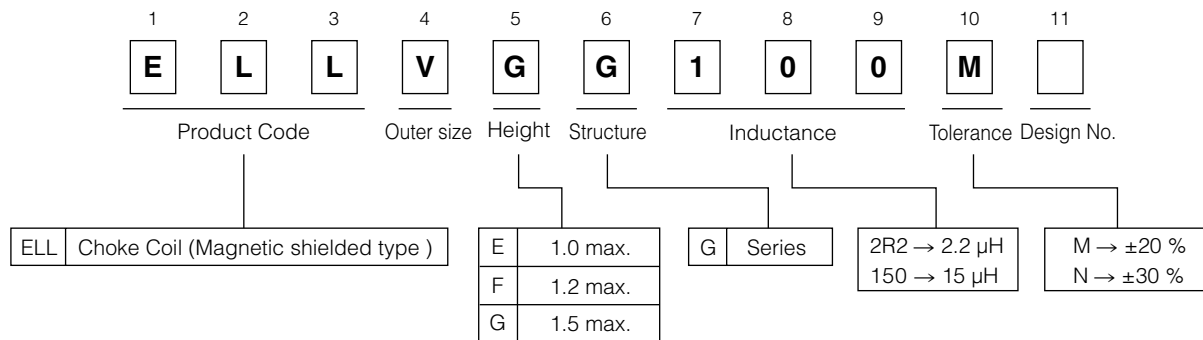
#### ■ Standard Packing Quantity

- 2000 pcs./Reel

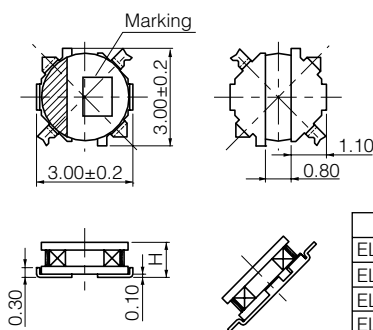
#### ■ Soldering Conditions and Safety Precautions

Please see Data Files

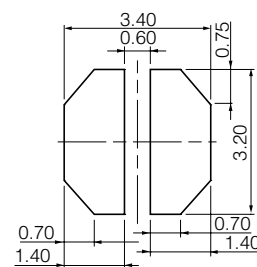
#### ■ Explanation of Part Numbers



#### ■ Dimensions in mm (not to scale)



#### ■ Recommended land patterns in mm (not to scale)



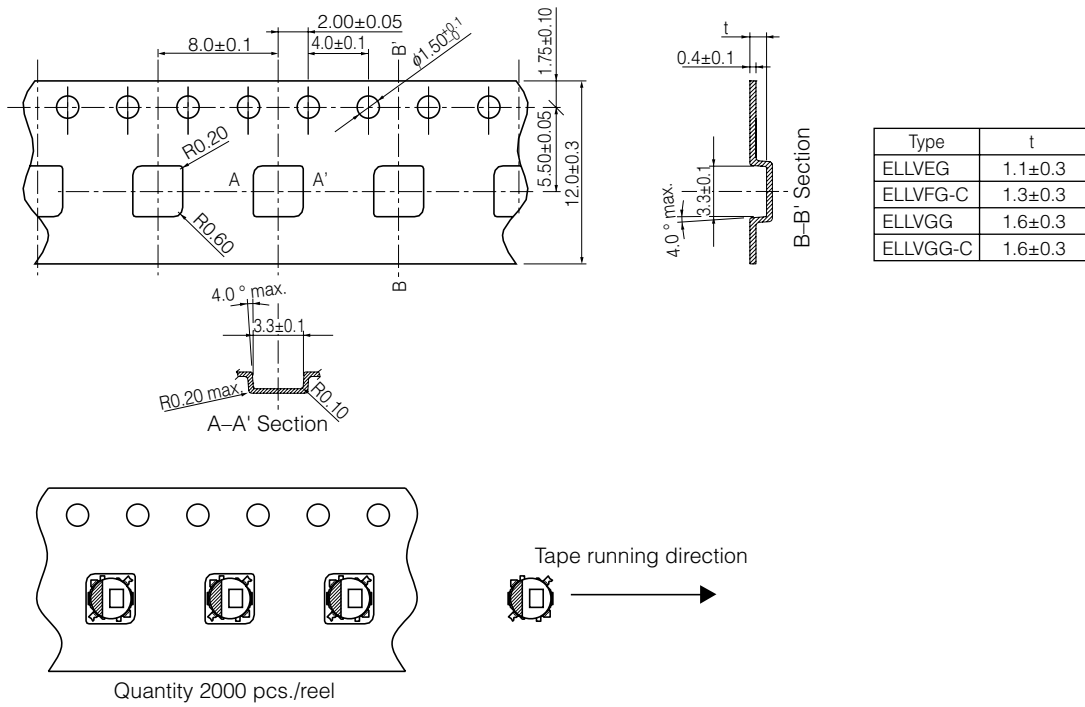
### ■ Standard Parts

Series	Part Number	Inductance (100 kHz)		R <sub>DC</sub> (at 20 °C)		Saturation Rated Current*1 (mA max.)	Temperature Rise Current*2 (mA max.)	Marking
		(μH)	Tol.	(mΩ)	Tol.			
Series VEG	ELLVEGR68N	0.68	±30 %	50	±20 %	1950	1800	7
	ELLVEG1R0N	1.0		61		1900	1600	A
	ELLVEG1R5N	1.5		74		1200	1400	C
	ELLVEG2R2N	2.2		110		1100	1250	D
	ELLVEG3R3N	3.3		210		1000	820	E
	ELLVEG4R7N	4.7		240		750	770	H
	ELLVEG6R8N	6.8		350		580	650	K
	ELLVEG100M	10.0	480	520		600	M	
	ELLVEG150M	15.0	710	430		490	O	
	ELLVEG220M	22.0	1200	330		400	R	
Series VFG-C	ELLVFG1R0NC	1.0	±30 %	50	±20 %	1500	1700	a
	ELLVFG1R5NC	1.5		61		1300	1550	c
	ELLVFG2R2NC	2.2		87		1100	1400	d
	ELLVFG3R3NC	3.3		110		980	1250	e
	ELLVFG4R7NC	4.7		150		740	1050	h
	ELLVFG6R8NC	6.8		230		600	840	k
	ELLVFG100MC	10.0		380		550	640	m
	ELLVFG150MC	15.0	540	500		480	o	
	ELLVFG220MC	22.0	710	350		430	r	
	ELLVFG330MC	33.0	1160	280		330	t	
Series VGG	ELLVGG1R0N	1.0	±30 %	52	±20 %	2200	1800	A
	ELLVGG1R2N	1.2		61		2000	1600	B
	ELLVGG1R6N	1.6		73		1800	1550	C
	ELLVGG2R2N	2.2		92		1600	1400	D
	ELLVGG3R3N	3.3		130		1350	1100	E
	ELLVGG3R9N	3.9		150		1300	1000	F
	ELLVGG4R7N	4.7		170		1200	980	H
	ELLVGG6R8N	6.8	230	1000		800	K	
	ELLVGG100M	10.0	280	800		730	M	
	ELLVGG120M	12.0	480	690		580	N	
	ELLVGG150M	15.0	640	600		490	O	
	ELLVGG220M	22.0	800	500		460	R	
	ELLVGG330M	33.0	1330	450		340	T	
	ELLVGG470M	47.0	2100	350		270	V	
Series VGG-C	ELLVGG1R0NC	1.0	±30 %	47	±20 %	1400	2000	A
	ELLVGG2R2NC	2.2		79		1050	1500	D
	ELLVGG3R3NC	3.3		110		1000	1300	E
	ELLVGG4R7NC	4.7		130		900	1200	H
	ELLVGG6R8NC	6.8		180		700	1000	K
	ELLVGG100MC	10.0	260	600		860	M	
	ELLVGG120MC	12.0	280	550		730	N	
	ELLVGG150MC	15.0	420	450		670	O	
	ELLVGG220MC	22.0	530	410		600	R	
	ELLVGG330MC	33.0	790	350		450	T	
	ELLVGG470MC	47.0	1200	260		360	V	
	ELLVGG101MC	100	2950	180		250	Z	

\*1 Saturation Rated Current : This DC current which causes a 30 % inductance reduction from its nominal value.

\*2 Temperature Rise Current : This indicates the value of current when temperature rise dt/t= 40 °C (at 20 °C).

## ■ Embossed Carrier Tape Dimensions in mm (not to scale)



# Mouser Electronics

Authorized Distributor

Click to View Pricing, Inventory, Delivery & Lifecycle Information:

## Panasonic:

[ELL-VEG100M](#) [ELL-VEG150M](#) [ELL-VEG1R0N](#) [ELL-VEG1R5N](#) [ELL-VEG220M](#) [ELL-VEG2R2N](#) [ELL-VEG3R3N](#)  
[ELL-VEG4R7N](#) [ELL-VEG6R8N](#) [ELL-VGG100M](#) [ELL-VGG1R0N](#) [ELL-VGG1R6N](#) [ELL-VGG220M](#) [ELL-VGG330M](#)  
[ELL-VGG3R3N](#) [ELL-VGG4R7N](#) [ELL-VGG6R8N](#) [ELL-VEG330M](#) [ELL-VEG470M](#) [ELL-VEG680M](#) [ELL-VFG150MC](#)  
[ELL-VGG120M](#) [ELL-VGG150M](#) [ELL-VGG3R9N](#) [ELL-VGG470M](#)