

Configuration of Customer Documents List

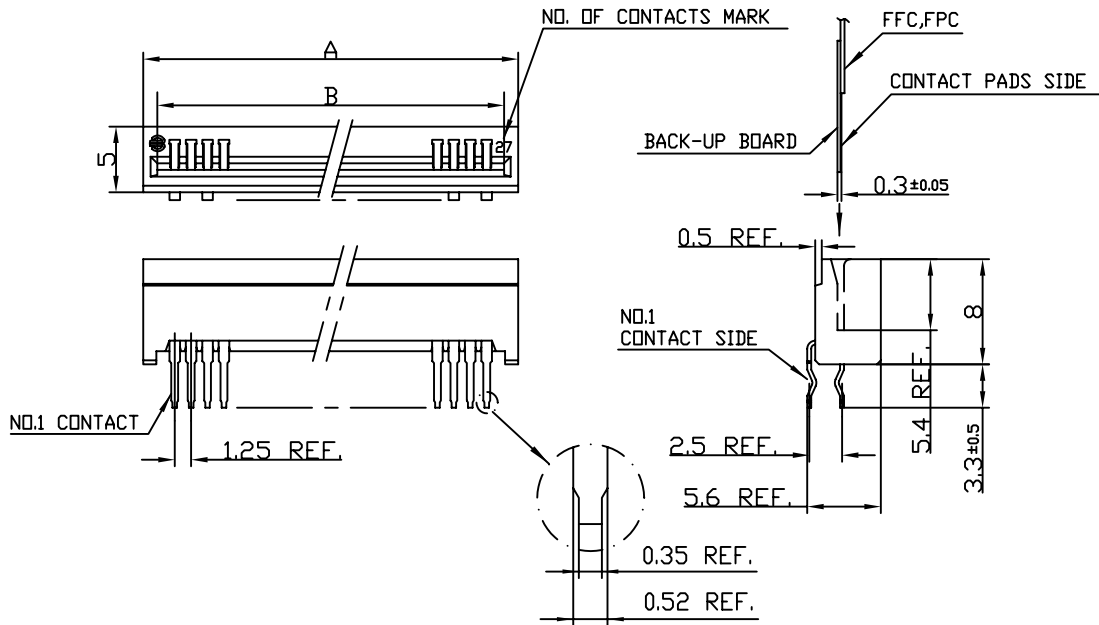
P/N	Documents	No.	Title
HLEM_R/S-1	Specification	SC-HLEM 01	
	Dwg.	JSA93270	1.25mm Spacing Connector for FPC/FFC (HLEM_R/S-)
		JSA93271	1.25mm Spacing Connector for FPC/FFC (HLEM_S-1)
	Cable Manual	JSA28789 BJM-HLEM101	Recommended cable and P.C. board (HLEM_R/S-)
HLEM_R/S-2	Specification	SC-HLEM 01	
	Dwg.	JSC29055	1.25mm Spacing Connector for FPC/FFC (HLEM_R-2)
		JSC29054	1.25mm Spacing Connector for FPC/FFC (HLEM_S-2)
	Cable Manual	JSA28789 BJM-HLEM101	Recommended cable and P.C. board (HLEM_R/S-)
HLEM_R/S-1RLF (See Note ②③)	Specification	SC-HLEM 01	
	Dwg.	JSA94071	1.25mm Spacing Connector for FPC/FFC (HLEM_R-1RLF)
		JSA94072	1.25mm Spacing Connector for FPC/FFC (HLEM_S-1RLF)
	Cable Manual	JSA28789 BJM-HLEM101	Recommended cable and P.C. board (HLEM_R/S-)
HLEM_R/S-1RFLF (See Note ②③)	Specification	SC-HLEM 01	
	Dwg.	JSA94073	1.25mm Spacing Connector for FPC/FFC (HLEM_R-1RFLF)
		JSA94074	1.25mm Spacing Connector for FPC/FFC (HLEM_S-1RFLF)
	Cable Manual	JSA28789 BJM-HLEM101	Recommended cable and P.C. board (HLEM_R/S-)
HLEM_R/S-2RLF (See Note ②③)	Specification	SC-HLEM 01	
	Dwg.	JSA96132	1.25mm Spacing Connector for FPC/FFC (HLEM_R-2RLF)
		JSA96133	1.25mm Spacing Connector for FPC/FFC (HLEM_S-2RLF)
	Cable Manual	JSA28789 BJM-HLEM101	Recommended cable and P.C. board (HLEM_R/S-)
HLEM_R/S-2RFLF (See Note ②③)	Specification	SC-HLEM 01	
	Dwg.	JSA96134	1.25mm Spacing Connector for FPC/FFC (HLEM_R-2RFLF)
		JSA96135	1.25mm Spacing Connector for FPC/FFC (HLEM_S-2RFLF)
	Cable Manual	JSA28789 BJM-HLEM101	Recommended cable and P.C. board (HLEM_R/S-)

NOTES

1. THE HOUSING WILL WITHSTAND EXPOSURE TO 260 DEGREE PEAK TEMPERATURE FOR 10 SECONDS IN A WAVE SOLDER APPLICATION WITH A 1.57MM MINIMUM THICK CIRCUIT BOARD.
- ② THIS PRODUCT MEETS EUROPEAN UNION DIRECTIVES AND OTHER COUNTRY REGULATIONS AS DESCRIBED IN GS-22-008.
- ③ PART NUMBERS ENDING IN "LF" MEANS FOR NOTE ② LEAD FREE IDENTIFICATION.
HLEMxxR/S-1/2R(F)LF IS EQUIVALENT TO PREVIOUS P/N HLEMxxR/S-1/2R(F).

mat'l. code		surface ASME Y14.5		tolerance ASME Y14.5		projection 		product family 58KF	
ltr	ecn no	dr	date	tolerances unless otherwise specified		title			
A	J04-0253	H.T	2004-08-03	angles	0±.3	1.25mm Spacing Connector (Customer documents list)			
B	J05-0014	H.T	2005-01-13	lines	0.00±.10				
C	S05-0145	D.T	2005-06-15	0'±2'	0.000±.050	scale -			
D	S05-0290	D.T	2005-10-14	dr	T.ono	2004-08-03	sheet 1 of 1		size
E	S06-0252	P.C	2006-07-28	engr	H.Takakura	2004-08-03	JSA96023		A4
				chr	Patrick Chua	2006-07-28	type Product Customer Drawing		
				app	Joey Ng	2006-07-28			
sheet index	revision	E							
	sheet	1							

TOLERANCES
UNLESS OTHERWISE SPECIFIED : ±0.2



MATERIAL: INSULATOR : PBT RESIN GLASS REINFORCED (UL94V-0)
COLOR : BLACK
CONTACT : PHOSPHOR BRONZE (TIN PLATED ; THICKNESS: 1 micron)

NO. OF CONTACTS	(See Note 3) CAT. NO.	DIMENSIONS		21	HLEM21S-1RLF	29.80	27.66
		A ±0.3	B ±0.1				
3	HLEM 3S-1RLF	7.30	5.16	22	HLEM22S-1RLF	31.05	28.91
4	HLEM 4S-1RLF	8.55	6.41	23	HLEM23S-1RLF	32.30	30.16
5	HLEM 5S-1RLF	9.80	7.66	24	HLEM24S-1RLF	33.55	31.41
6	HLEM 6S-1RLF	11.05	8.91	25	HLEM25S-1RLF	34.80	32.66
7	HLEM 7S-1RLF	12.30	10.16	26	HLEM26S-1RLF	36.05	33.91
8	HLEM 8S-1RLF	13.55	11.41	27	HLEM27S-1RLF	37.30	35.16
9	HLEM 9S-1RLF	14.80	12.66	28	HLEM28S-1RLF	38.55	36.41
10	HLEM10S-1RLF	16.05	13.91	29	HLEM29S-1RLF	39.80	37.66
11	HLEM 11S-1RLF	17.30	15.16	30	HLEM30S-1RLF	41.05	38.91
12	HLEM 12S-1RLF	18.55	16.41	31	HLEM31S-1RLF	42.30	40.16
13	HLEM13S-1RLF	19.80	17.66	32	HLEM32S-1RLF	43.55	41.41
14	HLEM14S-1RLF	21.05	18.91	33	HLEM33S-1RLF	44.80	42.66
15	HLEM15S-1RLF	22.30	20.16	34	HLEM34S-1RLF	46.05	43.91
16	HLEM16S-1RLF	23.55	21.41	35	HLEM35S-1RLF	47.30	45.16
17	HLEM17S-1RLF	24.80	22.66	36	HLEM36S-1RLF	48.55	46.41
18	HLEM18S-1RLF	26.05	23.91	37	HLEM37S-1RLF	49.80	47.66
19	HLEM19S-1RLF	27.30	25.16	38	HLEM38S-1RLF	51.05	48.91
20	HLEM20S-1RLF	28.55	26.41	39	HLEM39S-1RLF	52.30	50.16
				40	HLEM40S-1RLF	53.55	51.41

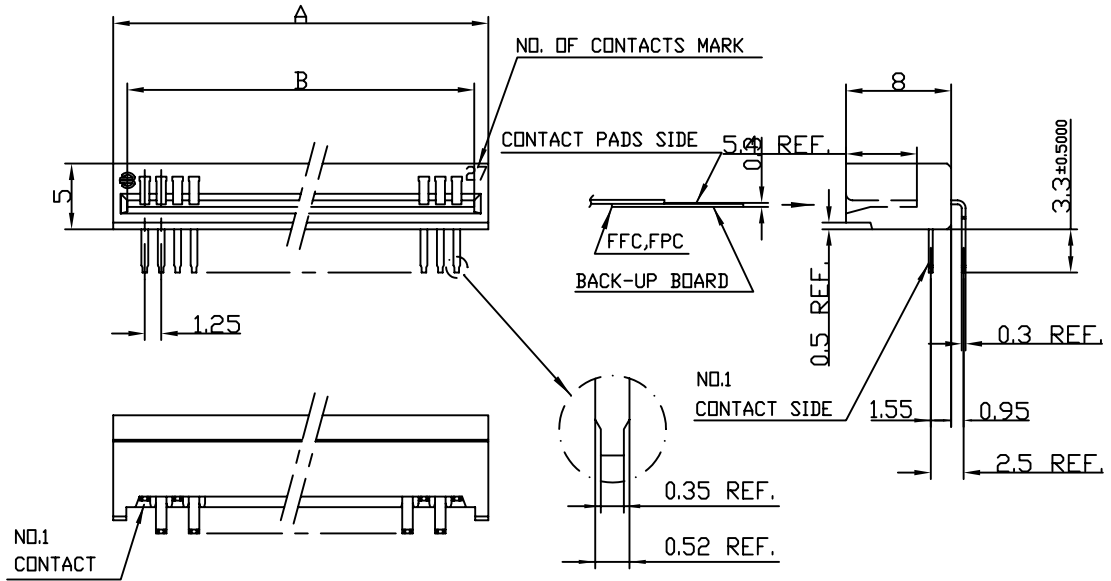
NOTES

1. THE HOUSING WILL WITHSTAND EXPOSURE TO 260 DEGREE PEAK TEMPERATURE FOR 10 SECONDS IN A WAVE SOLDER APPLICATION WITH A 1.57MM MINIMUM THICK CIRCUIT BOARD.
2. THIS PRODUCT MEETS EUROPEAN UNION DIRECTIVES AND OTHER COUNTRY REGULATIONS AS DESCRIBED IN GS-22-008.
3. PART NUMBERS ENDING IN "LF" MEANS FOR NOTE 2 LEAD FREE IDENTIFICATION.
HLEMxxR/S-1RLF IS EQUIVALENT TO PREVIOUS P/N HLEMxxR/S-1R.

HLEM_S-1RLF (See Note 3)

mat'l. code				surface <input checked="" type="checkbox"/> ISO 1302		tolerance <input checked="" type="checkbox"/> ISO 406		projection <input checked="" type="checkbox"/> ISO 1101		product family			
ltr				ecn no		dr		date		58KF			
AA				J04-0253		H.T.		2004-08-03		title			
AB				S05-0145		D.T.		2005-06-24		1.25mm Spacing Connector for FPC/FPC			
AC				S06-0252		P.C.		2006-07-28		scale -			
				dr		M.Itsuka		1997-02-13		dwg no			
				enrg		S.Ito		1997-02-13		sheet 1 of 1			
				chr		Patrick Chua		2006-07-28		JSA 94072			
				appd		Joey Ng		2006-07-28		A4			
sheet index				revision sheet		AC		1		type Product Customer Drawing			

TOLERANCES
UNLESS OTHERWISE SPECIFIED : ±0.2



MATERIAL: INSULATOR : PBT RESIN GLASS REINFORCED (UL94V-0)

COLOR : BLACK

CONTACT : PHOSPHOR BRONZE (TIN PLATED); THICKNESS: 1 micron)

NO. OF CONTACTS	CAT. NO.	DIMENSIONS		21	HLEM21R-2R	29.80	27.66
		A ±0.3	B ±0.1				
3	HLEM 3R-2R	7.30	5.16	22	HLEM22R-2R	31.05	28.91
4	HLEM 4R-2R	8.55	6.41	23	HLEM23R-2R	32.30	30.16
5	HLEM 5R-2R	9.80	7.66	24	HLEM24R-2R	33.55	31.41
6	HLEM 6R-2R	11.05	8.91	25	HLEM25R-2R	34.80	32.66
7	HLEM 7R-2R	12.30	10.16	26	HLEM26R-2R	36.05	33.91
8	HLEM 8R-2R	13.55	11.41	27	HLEM27R-2R	37.30	35.16
9	HLEM 9R-2R	14.80	12.66	28	HLEM28R-2R	38.55	36.41
10	HLEM 10R-2R	16.05	13.91	29	HLEM29R-2R	39.80	37.66
11	HLEM 11R-2R	17.30	15.16	30	HLEM30R-2R	41.05	38.91
12	HLEM 12R-2R	18.55	16.41	31	HLEM31R-2R	42.30	40.16
13	HLEM 13R-2R	19.80	17.66	32	HLEM32R-2R	43.55	41.41
14	HLEM 14R-2R	21.05	18.91	33	HLEM33R-2R	44.80	42.66
15	HLEM 15R-2R	22.30	20.16	34	HLEM34R-2R	46.05	43.91
16	HLEM 16R-2R	23.55	21.41	35	HLEM35R-2R	47.30	45.16
17	HLEM 17R-2R	24.80	22.66	36	HLEM36R-2R	48.55	46.41
18	HLEM 18R-2R	26.05	23.91	37	HLEM37R-2R	49.80	47.66
19	HLEM 19R-2R	27.30	25.16	38	HLEM38R-2R	51.05	48.91
20	HLEM 20R-2R	28.55	26.41	39	HLEM39R-2R	52.30	50.16
				40	HLEM40R-2R	53.55	51.41

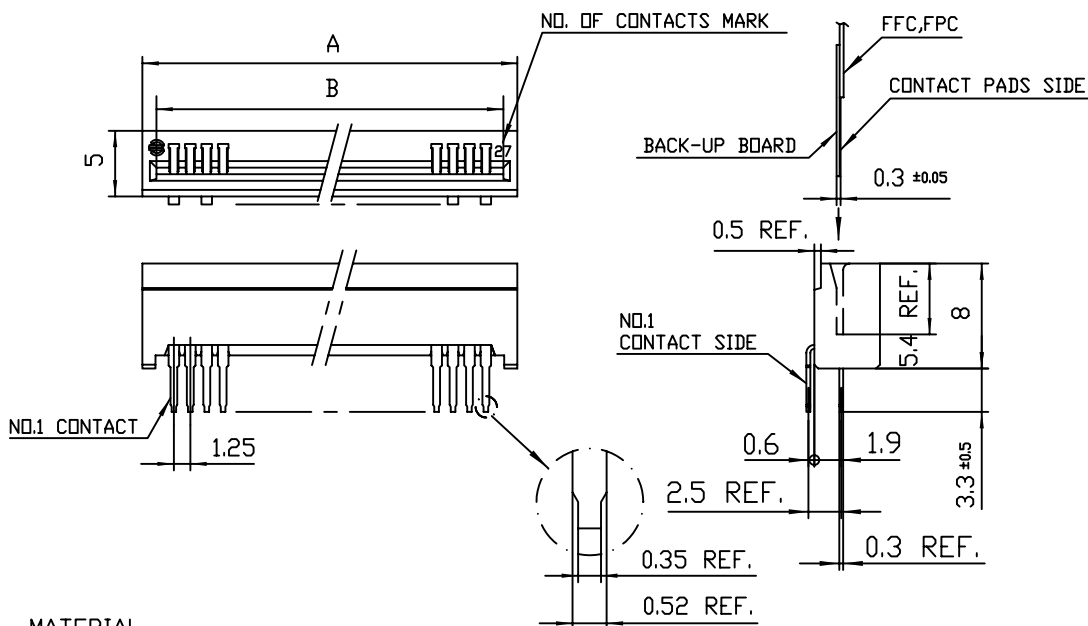
NOTES

1. THE HOUSING WILL WITHSTAND EXPOSURE TO 260 DEGREE PEAK TEMPERATURE FOR 10 SECONDS IN A WAVE SOLDERAPPLICATION WITH A 1.75MM MINIMUM THICK CIRCUIT BOARD.
2. THIS PRODUCT MEETS EUROPEAN UNION DIRECTIVES AND OTHER COUNTRY REGULATIONS AS DESCRIBED IN GS-22-008.
3. PART NUMBERS ENDING IN "LF" MEANS FOR NOTES 2 LEAD FREE IDENTIFICATION. HLEMxxR-2RLF IS EQUIVALENT TO PREVIOUS P/N HLEMxxR-2R.

(Cat. No. HLEM_R-2R) (See Note 3)

mat'l. code				surface <input checked="" type="checkbox"/> ISO 1302		tolerance <input checked="" type="checkbox"/> ISO 406		projection <input checked="" type="checkbox"/> ISO 1101		product family			
ltr				ecn no		dr		date		58KF			
A				J04-0439		H.T		2004-12-06		title			
B				S05-0176		D.T		2005-06-24		1.25mm Spacing Connector for FPC/FFC			
C				S06-0252		P.C		2006-07-28		scale -			
				dr		H.Takakura		2004-12-06		dwg no			
				enr		H.Takakura		2004-12-06		sheet 1 of 1			
				chr		Patrick Chua		2006-07-28		JSA 96132			
				app		Joey Ng		2006-07-28		A4			
sheet index				revision		C				type			
1				sheet		1				Product Customer Drawing			

TOLERANCES
UNLESS OTHERWISE SPECIFIED : ±0.2



MATERIAL

INSULATOR : PBT RESIN GLASS REINFORCED (UL94V-0)

COLOR : BLACK

CONTACT : PHOSPHOR BRONZE (TIN PLATED)(LEAD FREE)

NO. OF CONTACTS	CAT. NO.	DIMENSIONS		21	HLEM21S-2R	29.80	27.66
		A ±0.3	B ±0.1				
3	HLEM 3S-2R	7.30	5.16	22	HLEM22S-2R	31.05	28.91
4	HLEM 4S-2R	8.55	6.41	23	HLEM23S-2R	32.30	30.16
5	HLEM 5S-2R	9.80	7.66	24	HLEM24S-2R	33.55	31.41
6	HLEM 6S-2R	11.05	8.91	25	HLEM25S-2R	34.80	32.66
7	HLEM 7S-2R	12.30	10.16	26	HLEM26S-2R	36.05	33.91
8	HLEM 8S-2R	13.55	11.41	27	HLEM27S-2R	37.30	35.16
9	HLEM 9S-2R	14.80	12.66	28	HLEM28S-2R	38.55	36.41
10	HLEM 10S-2R	16.05	13.91	29	HLEM29S-2R	39.80	37.66
11	HLEM 11S-2R	17.30	15.16	30	HLEM30S-2R	41.05	38.91
12	HLEM 12S-2R	18.55	16.41	31	HLEM31S-2R	42.30	40.16
13	HLEM 13S-2R	19.80	17.66	32	HLEM32S-2R	43.55	41.41
14	HLEM 14S-2R	21.05	18.91	33	HLEM33S-2R	44.80	42.66
15	HLEM 15S-2R	22.30	20.16	34	HLEM34S-2R	46.05	43.91
16	HLEM 16S-2R	23.55	21.41	35	HLEM35S-2R	47.30	45.16
17	HLEM 17S-2R	24.80	22.66	36	HLEM36S-2R	48.55	46.41
18	HLEM 18S-2R	26.05	23.91	37	HLEM37S-2R	49.80	47.66
19	HLEM 19S-2R	27.30	25.16	38	HLEM38S-2R	51.05	48.91
20	HLEM 20S-2R	28.55	26.41	39	HLEM39S-2R	52.30	50.16
				40	HLEM40S-2R	53.55	51.41

(Cat. No. HLEM_S-2R)

mat'l. code				surface <input checked="" type="checkbox"/> ISO 1302		tolerance <input checked="" type="checkbox"/> ISO 406		projection <input checked="" type="checkbox"/> ISO 1101		product family			
ltr				ecn no		dr		date		58KF			
A				J04-0439		H.T		2004-12-06		title			
B				S05-0176		D.T		2005-06-24		1.25mm Spacing Connector for FPC/FPC			
C				S06-0252		P.C		2006-07-28		scale -			
				dr						dwg no			
				enrg						sheet 1 of 1			
				chr		Patrick Chua		2006-07-28		JSA 96133			
				appd		Joey Ng		2006-07-28		A4			
sheet index				revision		C				type			
1				sheet		1				Product Customer Drawing			

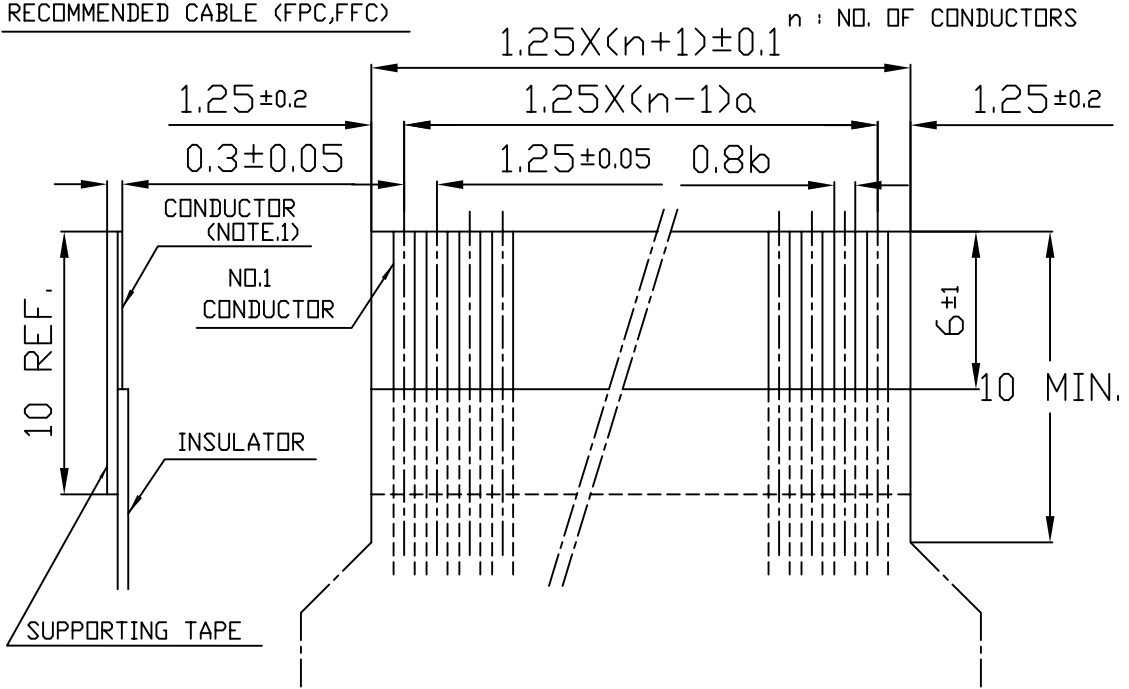


FCIconnect.com

Copyright FCI



RECOMMENDED CABLE (FPC,FFC)



NOTE

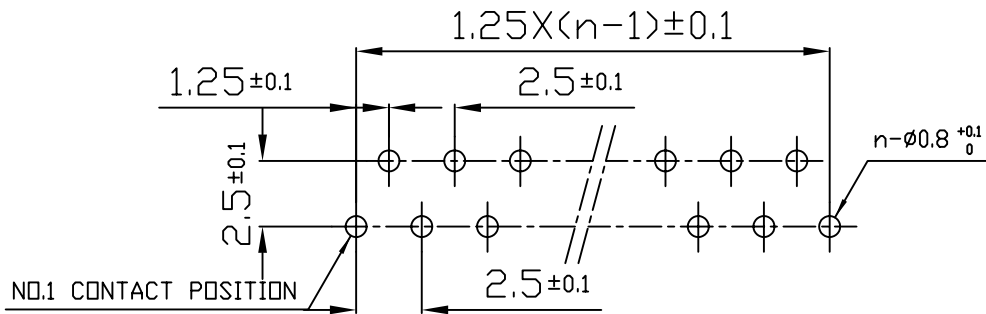
1. FINISH : SOLDER OR TIN PLATED. (1um MIN.)
2. NO BURR AT EACH POSITION.
3. NO PEELING IN COMMON USE.

TYPE	TOLERANCES	
	a	b
FPC	±0.05	±0.1
FFC	±0.1	±0.03

RECOMMENDED P.C. BOARD

THICKNESS : ±0.9 - 2
HOLE PATTARN (COMPONENT SIDE)

n : NO. OF CONTACTS



Cat. No. hLEM_R/S-___

mat'l. code				surface ISO 1302 ✓		tolerance ISO 406 ISO 1101		projection		product family					
ltr ecn no dr date				tolerances unless otherwise specified		.0±.3		mm		58EX					
AA J04-0253 H.T 2004-08-03				angles		linear		scale -		title					
AB S06-0252 P.C 2006-07-28				0°±2'						RECOMMENDED CABLE AND P.C. BOARD					
				dr				FCJ		dwg no		sheet 1 of 1		size	
				engr						JSA 28789				A4	
				chr Patrick Chua		2006-07-28				type		Product Customer Drawing			
				appd Joey Ng		2006-07-28									
sheet index		revision sheet		AB 1											