



KSZ8895MQ/RQ/FMQ

Integrated 5-Port 10/100 Managed Ethernet Switch with MII/RMII interface

Rev. 1.3

General Description

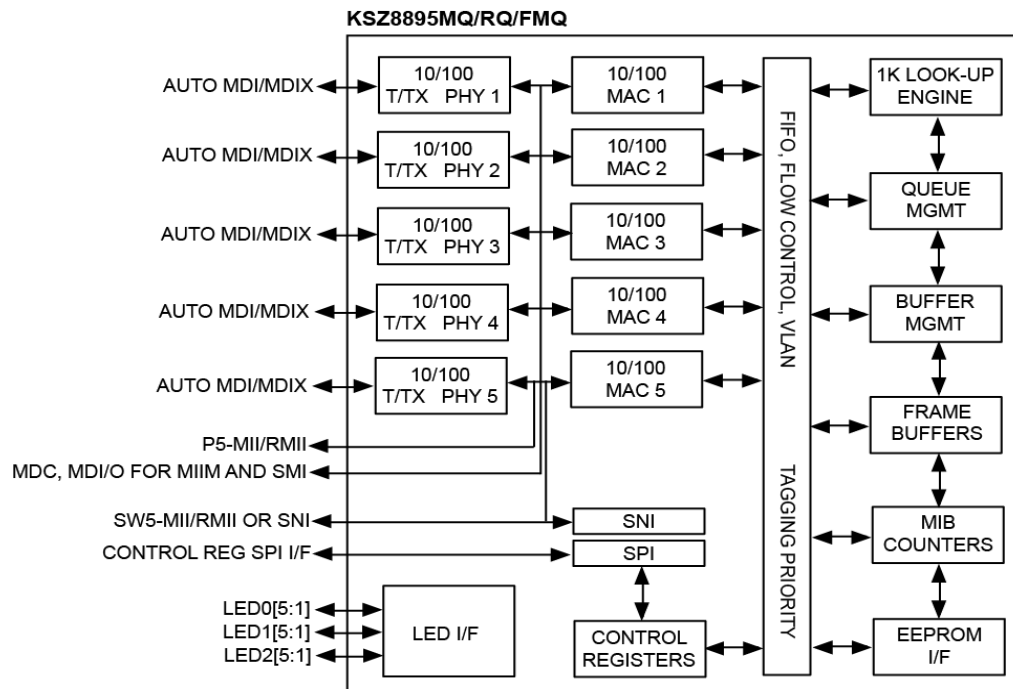
The KSZ8895MQ/RQ/FMQ is a highly-integrated, Layer 2-managed, five-port switch with numerous features designed to reduce system cost. Intended for cost-sensitive 10/100Mbps five-port switch systems with low power consumption, on-chip termination, and internal core power controllers, it supports high-performance memory bandwidth and shared memory-based switch fabric with non-blocking configuration. Its extensive feature set includes power management, programmable rate limit and priority ratio, tag/port-based VLAN, packets filtering, four-queue QoS prioritization, management interfaces, and MIB counters. The KSZ8895 family provides multiple CPU data interfaces to effectively address both current and emerging fast Ethernet applications when port 5 is configured to separate MAC5 with SW5-MII/RMII and PHY5 with P5-MII/RMII interfaces.

The KSZ8895 family offers three configurations, providing the flexibility to meet different requirements:

- KSZ8895MQ: Five 10/100Base-T/TX transceivers, one SW5-MII and one P5-MII interface
- KSZ8895RQ: Five 10/100Base-T/TX transceivers, one SW5-RMII and one P5-RMII interface
- KSZ8895FMQ: Three 10/100Base-T/TX transceivers on Ports 1, 2, 5 and two 100Base-FX transceivers on Ports 3, 4, one SW5-MII and one P5-MII interface

All registers of MACs and PHYs units can be managed by the SPI or the SMI interface. MIIM registers can be accessed through the MDC/MDIO interface. EEPROM can set all control registers for the unmanaged mode.

Functional Diagram



Note: SW5 indicates the MAC5 of the switch side, P5 indicates the PHY5 of the Port 5.

Features

Advanced Switch Features

- IEEE 802.1q VLAN support for up to 128 VLAN groups (full-range 4096 of VLAN IDs).
- Static MAC table supports up to 32 entries.
- VLAN ID tag/untag options, per port basis
- IEEE 802.1p/q tag insertion or removal on a per port basis based on ingress port (egress).
- Programmable rate limiting at the ingress and egress on a per port basis.
- Jitter-free per packet based rate limiting support.
- Broadcast storm protection with percentage control (global and per port basis).
- IEEE 802.1d rapid spanning tree protocol RSTP support.
- Tail tag mode (1 byte added before FCS) support at Port 5 to inform the processor which ingress port receives the packet.
- 1.4Gbps high-performance memory bandwidth and shared memory-based switch fabric with fully non-blocking configuration.
- Dual MII with MAC5 and PHY5 on port 5, SW5-MII/RMII for MAC 5 and P5-MII/RMII for PHY 5.
- Enable/Disable option for huge frame size up to 2000 Bytes per frame.
- IGMP v1/v2 snooping (Ipv4) support for multicast packet filtering.
- IPv4/IPv6 QoS support.
- Support unknown unicast/multicast address and unknown VID packet filtering.
- Self-address filtering.

Comprehensive Configuration Register Access

- Serial management interface (MDC/MDIO) to all PHYs registers and SMI interface (MDC/MDIO) to all registers.
- High speed SPI (up to 25MHz) and I²C master Interface to all internal registers.
- I/O pins strapping and EEPROM to program selective registers in unmanaged switch mode.
- Control registers configurable on the fly (port-priority, 802.1p/d/q, AN).

QoS/CoS Packet Prioritization Support

- Per port, 802.1p and DiffServ-based.
- 1/2/4-queue QoS prioritization selection.
- Programmable weighted fair queuing for ratio control.
- Re-mapping of 802.1p priority field per port basis.

Integrated Five-Port 10/100 Ethernet Switch

- New generation switch with five MACs and five PHYs with fully compliant with IEEE 802.3u standard.
- PHYs designed with patented enhanced mixed-signal technology.

- Non-blocking switch fabric assures fast packet delivery by utilizing a 1K MAC address lookup table and a store-and-forward architecture.
- On-chip 64Kbyte memory for frame buffering (not shared with 1K unicast address table).
- Full duplex IEEE 802.3x flow control (PAUSE) with force mode option.
- Half-duplex back pressure flow control.
- HP Auto MDI/MDI-X and IEEE Auto crossover support.
- SW-MII interface supports both MAC mode and PHY mode.
- 7-wire serial network interface (SNI) support for legacy MAC.
- Per port LED Indicators for link, activity, and 10/100 speed.
- Register port status support for link, activity, full/half duplex and 10/100 speed.
- On-chip terminations and internal biasing technology for cost down and lowest power consumption.

Switch Monitoring Features

- Port mirroring/monitoring/sniffing: ingress and/or egress traffic to any port or MII.
- MIB counters for fully compliant statistics gathering 34 MIB counters per port.
- Loop-back support for MAC, PHY and remote diagnostic of failure.
- Interrupt for the link change on any ports.

Low Power Dissipation

- Full-chip hardware power-down.
- Full-chip software power-down and per port software power down.
- Energy-detect mode support < 100mW full chip-power consumption when all ports have no activity.
- Very low full chip power consumption (<0.5W), without extra power consumption on transformers.
- Dynamic clock tree shutdown feature.
- Voltages: Single 3.3V supply with 3.3V VDDIO and Internal 1.2V LDO controller enabled, or external 1.2V LDO solution.
 - Analog VDDAT 3.3V only.
 - VDDIO support 3.3V, 2.5V and 1.8V.
 - Low 1.2V core power .
- 0.13μ CMOS technology.
- Commercial temperature range: 0°C to +70°C.
- Industrial Temperature Range: -40°C to +85°C.
- Available in 128-pin PQFP, lead-free package.

Applications

- Typical
- VoIP Phone
- Set-top/Game Box
- Automotive
- Industrial Control
- IPTV POF
- SOHO Residential Gateway
- Broadband Gateway/Firewall/VPN
- Integrated DSL/Cable Modem
- Wireless LAN access point + gateway
- Standalone 10/100 switch

Ordering Information

| Part Number | Temperature Range | Package | Lead Finish/Grade |
|----------------------------|-------------------|--------------|--------------------|
| KSZ8895MQ | 0°C to 70°C | 128-Pin LQFP | Pb-Free/Commercial |
| KSZ8895MQI ⁽¹⁾ | -40°C to +85°C | 128-Pin LQFP | Pb-Free/Industrial |
| KSZ8895RQ ⁽¹⁾ | 0°C to 70°C | 128-Pin LQFP | Pb-Free/Commercial |
| KSZ8895RQI ⁽¹⁾ | -40°C to +85°C | 128-Pin LQFP | Pb-Free/Industrial |
| KSZ8895FMQ ⁽¹⁾ | 0°C to 70°C | 128-Pin LQFP | Pb-Free/Commercial |
| KSZ8895FMQI ⁽¹⁾ | -40°C to +85°C | 128-Pin LQFP | Pb-Free/Industrial |

Note:

1. Please consult sales for the availability

Revision History

| Revision | Date | Description |
|----------|----------|------------------------------------------------------------------|
| 1.0 | 09/13/10 | Initial document created |
| 1.1 | 11/16/10 | Remove TMQ part |
| 1.2 | 01/20/11 | Update the ordering information and some data. |
| 1.3 | 03/18/11 | Update the register number, descriptions and correct typo error. |

Contents

| | |
|--------------------------------------------------------------|-----------|
| Pin Configuration | 13 |
| Pin Description | 14 |
| Pin for Strap-in Options | 21 |
| Introduction | 24 |
| Functional Overview: Physical Layer Transceiver | 24 |
| 100BASE-TX Transmit | 24 |
| 100BASE-TX Receive | 24 |
| PLL Clock Synthesizer..... | 25 |
| Scrambler/Descrambler (100BASE-TX only) | 25 |
| 100BASE-FX Operation..... | 25 |
| 100BASE-FX Signal Detection | 25 |
| 100BASE-FX Far End Fault..... | 25 |
| 10BASE-T Transmit..... | 25 |
| 10BASE-T Receive | 25 |
| MDI/MDI-X Auto Crossover | 25 |
| <i>Straight Cable</i> | 26 |
| <i>Crossover Cable</i> | 27 |
| Auto-Negotiation | 27 |
| On-chip Termination Resistors | 29 |
| Internal 1.2V LDO Controller | 29 |
| Functional Overview: Power Management | 29 |
| Normal Operation Mode | 29 |
| Energy Detect Mode | 30 |
| Soft Power Down Mode | 30 |
| Power Saving Mode..... | 30 |
| Port-based Power Down Mode..... | 30 |
| Functional Overview: Switch Core | 30 |
| Address Look-Up | 30 |
| Learning | 30 |
| Migration | 31 |
| Aging | 31 |
| Forwarding | 31 |
| Switching Engine | 31 |
| Media Access Controller (MAC) Operation | 31 |
| <i>Inter-Packet Gap (IPG)</i> | 31 |
| <i>Backoff Algorithm</i> | 31 |
| <i>Late Collision</i> | 31 |
| <i>Illegal Frames</i> | 31 |
| <i>Flow Control</i> | 32 |
| <i>Half-Duplex Back Pressure</i> | 35 |
| <i>Broadcast Storm Protection</i> | 35 |
| MII Interface Operation | 36 |
| Port 5 PHY 5 P5-MII/RMII Interface..... | 36 |

| | |
|---------------------------------------------------------------------------------------------------------|-----------|
| Port 5 MAC 5 SW5-MII Interface for the KSZ8895MQ/FMQ | 37 |
| Port 5 MAC 5 Switch SW5-RMII Interface for the KSZ8895RQ | 38 |
| SNI Interface Operation | 40 |
| Advanced Functionality | 41 |
| QoS Priority Support | 41 |
| <i>Port-Based Priority</i> | 41 |
| <i>802.1p-Based Priority</i> | 41 |
| <i>DiffServ-Based Priority</i> | 42 |
| Spanning Tree Support | 42 |
| Rapid Spanning Tree Support | 43 |
| Tail Tagging Mode | 44 |
| IGMP Support | 45 |
| Port Mirroring Support | 45 |
| VLAN Support | 45 |
| Rate Limiting Support | 46 |
| <i>Ingress Rate Limit</i> | 46 |
| <i>Egress Rate Limit</i> | 47 |
| <i>Transmit Queue Ratio Programming</i> | 47 |
| Filtering for Self-Address, Unknown Unicast/Multicast Address and Unknown VID Packet/IP Multicast | 47 |
| Configuration Interface | 47 |
| <i>I²C Master Serial Bus Configuration</i> | 47 |
| <i>SPI Slave Serial Bus Configuration</i> | 48 |
| <i>MII Management Interface (MIIM)</i> | 51 |
| <i>Serial Management Interface (SMI)</i> | 51 |
| Register Description | 53 |
| Global Registers | 55 |
| <i>Register 0 (0x00): Chip ID0</i> | 55 |
| <i>Register 1 (0x01): Chip ID1 / Start Switch</i> | 55 |
| <i>Register 2 (0x02): Global Control 0</i> | 55 |
| <i>Register 3 (0x03): Global Control 1</i> | 56 |
| <i>Register 4 (0x04): Global Control 2</i> | 57 |
| <i>Register 5 (0x05): Global Control 3</i> | 58 |
| <i>Register 6 (0x07): Global Control 4</i> | 59 |
| <i>Register 7 (0x07): Global Control 5</i> | 60 |
| <i>Register 8 (0x08): Global Control 6</i> | 60 |
| <i>Register 9 (0x09): Global Control 7</i> | 60 |
| <i>Register 10 (0x0A): Global Control 8</i> | 61 |
| <i>Register 11 (0x0B): Global Control 9</i> | 61 |
| <i>Register 12 (0x0C): Global Control 10</i> | 62 |
| <i>Register 13 (0x0D): Global Control 11</i> | 62 |
| <i>Register 14 (0x0E): Power Down Management Control 1</i> | 62 |
| <i>Register 15 (0x0F): Power Down Management Control 2</i> | 63 |
| Port Registers | 64 |
| <i>Register 16 (0x10): Port 1 Control 0</i> | 64 |

| | |
|------------------------------------------------------------|----|
| Register 32 (0x20): Port 2 Control 0..... | 64 |
| Register 48 (0x30): Port 3 Control 0..... | 64 |
| Register 64 (0x40): Port 4 Control 0..... | 64 |
| Register 80 (0x50): Port 5 Control 0..... | 64 |
| Register 17 (0x11): Port 1 Control 1..... | 65 |
| Register 33 (0x21): Port 2 Control 1..... | 65 |
| Register 49 (0x31): Port 3 Control 1..... | 65 |
| Register 65 (0x41): Port 4 Control 1..... | 65 |
| Register 81 (0x51): Port 5 Control 1..... | 65 |
| Register 18 (0x12): Port 1 Control 2..... | 66 |
| Register 34 (0x22): Port 2 Control 2..... | 66 |
| Register 50 (0x32): Port 3 Control 2..... | 66 |
| Register 66 (0x42): Port 4 Control 2..... | 66 |
| Register 82 (0x52): Port 5 Control 2..... | 66 |
| Register 19 (0x13): Port 1 Control 3..... | 67 |
| Register 35 (0x23): Port 2 Control 3..... | 67 |
| Register 51 (0x33): Port 3 Control 3..... | 67 |
| Register 67 (0x43): Port 4 Control 3..... | 67 |
| Register 83 (0x53): Port 5 Control 3..... | 67 |
| Register 20 (0x14): Port 1 Control 4..... | 67 |
| Register 36 (0x24): Port 2 Control 4..... | 67 |
| Register 52 (0x34): Port 3 Control 4..... | 67 |
| Register 68 (0x44): Port 4 Control 4..... | 67 |
| Register 84 (0x54): Port 5 Control 4..... | 67 |
| Register 87 (0x57): RMI Management Control Register..... | 67 |
| Register 25 (0x19): Port 1 Status 0..... | 68 |
| Register 41 (0x29): Port 2 Status 0..... | 68 |
| Register 57 (0x39): Port 3 Status 0..... | 68 |
| Register 73 (0x49): Port 4 Status 0..... | 68 |
| Register 89 (0x59): Port 5 Status 0..... | 68 |
| Register 26 (0x1A): Port 1 PHY Special Control/Status..... | 68 |
| Register 42 (0x2A): Port 2 PHY Special Control/Status..... | 68 |
| Register 58 (0x3A): Port 3 PHY Special Control/Status..... | 68 |
| Register 74 (0x4A): Port 4 PHY Special Control/Status..... | 68 |
| Register 90 (0x5A): Port 5 PHY Special Control/Status..... | 68 |
| Register 27 (0x1B): Reserved..... | 69 |
| Register 43 (0x2B): Reserved..... | 69 |
| Register 59 (0x3B): Reserved..... | 69 |
| Register 75 (0x4B): Reserved..... | 69 |
| Register 91 (0x5B): Reserved..... | 69 |
| Register 28 (0x1C): Port 1 Control 5..... | 69 |
| Register 44 (0x2C): Port 2 Control 5..... | 69 |
| Register 60 (0x3C): Port 3 Control 5..... | 69 |
| Register 76 (0x4C): Port 4 Control 5..... | 69 |

| | |
|--------------------------------------------------------|----|
| Register 92 (0x5C): Port 5 Control 5..... | 69 |
| Register 29 (0x1D): Port 1 Control 6..... | 70 |
| Register 45 (0x2D): Port 2 Control 6..... | 70 |
| Register 61 (0x3D): Port 3 Control 6..... | 70 |
| Register 77 (0x4D): Port 4 Control 6..... | 70 |
| Register 93 (0x5D): Port 5 Control 6..... | 70 |
| Register 30 (0x1E): Port 1 Status 1..... | 71 |
| Register 46 (0x2E): Port 2 Status 1..... | 71 |
| Register 62 (0x3E): Port 3 Status 1..... | 71 |
| Register 78 (0x4E): Port 4 Status 1..... | 71 |
| Register 94 (0x5E): Port 5 Status 1..... | 71 |
| Register 31 (0x1F): Port 1 Control 7 and Status 2..... | 71 |
| Register 47 (0x2F): Port 2 Control 7 and Status 2..... | 71 |
| Register 63 (0x3F): Port 3 Control 7 and Status 2..... | 71 |
| Register 79 (0x4F): Port 4 Control 7 and Status 2..... | 71 |
| Register 95 (0x5F): Port 5 Control 7 and Status 2..... | 71 |
| Advanced Control Registers..... | 72 |
| Register 104 (0x68): MAC Address Register 0..... | 72 |
| Register 105 (0x69): MAC Address Register 1..... | 72 |
| Register 106 (0x6A): MAC Address Register 2..... | 72 |
| Register 107 (0x6B): MAC Address Register 3..... | 72 |
| Register 108 (0x6C): MAC Address Register 4..... | 72 |
| Register 109 (0x6D): MAC Address Register 5..... | 72 |
| Register 110 (0x6E): Indirect Access Control 0..... | 72 |
| Register 111 (0x6F): Indirect Access Control 1..... | 73 |
| Register 112 (0x70): Indirect Data Register 8..... | 73 |
| Register 113 (0x71): Indirect Data Register 7..... | 73 |
| Register 114 (0x72): Indirect Data Register 6..... | 73 |
| Register 115 (0x73): Indirect Data Register 5..... | 73 |
| Register 116 (0x74): Indirect Data Register 4..... | 73 |
| Register 117 (0x75): Indirect Data Register 3..... | 73 |
| Register 118 (0x76): Indirect Data Register 2..... | 73 |
| Register 119 (0x77): Indirect Data Register 1..... | 73 |
| Register 120 (0x78): Indirect Data Register 0..... | 73 |
| Register 124 (0x7C): Interrupt Status Register..... | 74 |
| Register 125 (0x7D): Interrupt Mask Register..... | 74 |
| Register 128 (0x80): Global Control 12..... | 75 |
| Register 129 (0x81): Global Control 13..... | 75 |
| Register 130 (0x82): Global Control 14..... | 75 |
| Register 131 (0x83): Global Control 15..... | 76 |
| Register 132 (0x84): Global Control 16..... | 76 |
| Register 133(0x85): Global Control 17..... | 76 |
| Register 134 (0x86): Global Control 18..... | 77 |
| Register 135 (0x87): Global Control 19..... | 77 |

| | |
|--------------------------------------------------------------------|----|
| <i>Register 144 (0x90): TOS Priority Control Register 0</i> | 77 |
| <i>Register 145 (0x91): TOS Priority Control Register 1</i> | 78 |
| <i>Register 146 (0x92): TOS Priority Control Register 2</i> | 78 |
| <i>Register 147 (0x93): TOS Priority Control Register 3</i> | 78 |
| <i>Register 148 (0x94): TOS Priority Control Register 4</i> | 78 |
| <i>Register 149 (0x95): TOS Priority Control Register 5</i> | 78 |
| <i>Register 150 (0x96): TOS Priority Control Register 6</i> | 78 |
| <i>Register 151 (0x97): TOS Priority Control Register 7</i> | 79 |
| <i>Register 152 (0x98): TOS Priority Control Register 8</i> | 79 |
| <i>Register 153 (0x99): TOS Priority Control Register 9</i> | 79 |
| <i>Register 154 (0x9A): TOS Priority Control Register 10</i> | 79 |
| <i>Register 155 (0x9B): TOS Priority Control Register 11</i> | 79 |
| <i>Register 156 (0x9C): TOS Priority Control Register 12</i> | 79 |
| <i>Register 157 (0x9D): TOS Priority Control Register 13</i> | 80 |
| <i>Register 158 (0x9E): TOS Priority Control Register 14</i> | 80 |
| <i>Register 159 (0x9F): TOS Priority Control Register 15</i> | 80 |
| <i>Register 176 (0xB0): Port 1 Control 8</i> | 80 |
| <i>Register 192 (0xC0): Port 2 Control 8</i> | 80 |
| <i>Register 208 (0xD0): Port 3 Control 8</i> | 80 |
| <i>Register 224 (0xE0): Port 4 Control 8</i> | 80 |
| <i>Register 240 (0xF0): Port 5 Control 8</i> | 80 |
| <i>Register 177 (0xB1): Port 1 Control 9</i> | 81 |
| <i>Register 193 (0xC1): Port 2 Control 9</i> | 81 |
| <i>Register 209 (0xD1): Port 3 Control 9</i> | 81 |
| <i>Register 225 (0xE1): Port 4 Control 9</i> | 81 |
| <i>Register 241 (0xF1): Port 5 Control 9</i> | 81 |
| <i>Register 178 (0xB2): Port 1 Control 10</i> | 82 |
| <i>Register 194 (0xC2): Port 2 Control 10</i> | 82 |
| <i>Register 210 (0xD2): Port 3 Control 10</i> | 82 |
| <i>Register 226 (0xE2): Port 4 Control 10</i> | 82 |
| <i>Register 242 (0xF2): Port 5 Control 10</i> | 82 |
| <i>Register 179 (0xB3): Port 1 Control 11</i> | 82 |
| <i>Register 195 (0xC3): Port 2 Control 11</i> | 82 |
| <i>Register 211 (0xD3): Port 3 Control 11</i> | 82 |
| <i>Register 227 (0xE3): Port 4 Control 11</i> | 82 |
| <i>Register 243 (0xF3): Port 5 Control 11</i> | 82 |
| <i>Register 180 (0xB4): Port 1 Control 12</i> | 82 |
| <i>Register 196 (0xC4): Port 2 Control 12</i> | 82 |
| <i>Register 212 (0xD4): Port 3 Control 12</i> | 82 |
| <i>Register 228 (0xE4): Port 4 Control 12</i> | 82 |
| <i>Register 244 (0xF4): Port 5 Control 12</i> | 82 |
| <i>Register 181 (0xB5): Port 1 Control 13</i> | 83 |
| <i>Register 197 (0xC5): Port 2 Control 13</i> | 83 |
| <i>Register 213 (0xD5): Port 3 Control 13</i> | 83 |

| | |
|-----------------------------------------------------------------------------|----|
| <i>Register 229 (0xE5): Port 4 Control 13</i> | 83 |
| <i>Register 245 (0xF5): Port 5 Control 13</i> | 83 |
| <i>Register 182 (0xB6): Port 1 Rate Limit Control</i> | 83 |
| <i>Register 198 (0xC6): Port 2 Rate Limit Control</i> | 83 |
| <i>Register 214 (0xD6): Port 3 Rate Limit Control</i> | 83 |
| <i>Register 230 (0xE6): Port 4 Rate Limit Control</i> | 83 |
| <i>Register 246 (0xF6): Port 5 Rate Limit Control</i> | 83 |
| <i>Register 183 (0xB7): Port 1 Priority 0 Ingress Limit Control 1</i> | 84 |
| <i>Register 199 (0xC7): Port 2 Priority 0 Ingress Limit Control 1</i> | 84 |
| <i>Register 215 (0xD7): Port 3 Priority 0 Ingress Limit Control 1</i> | 84 |
| <i>Register 231 (0xE7): Port 4 Priority 0 Ingress Limit Control 1</i> | 84 |
| <i>Register 247 (0xF7): Port 5 Priority 0 Ingress Limit Control 1</i> | 84 |
| <i>Register 184 (0xB8): Port 1 Priority 1 Ingress Limit Control 2</i> | 84 |
| <i>Register 200 (0xC8): Port 2 Priority 1 Ingress Limit Control 2</i> | 84 |
| <i>Register 216 (0xD8): Port 3 Priority 1 Ingress Limit Control 2</i> | 84 |
| <i>Register 232 (0xE8): Port 4 Priority 1 Ingress Limit Control 2</i> | 84 |
| <i>Register 248 (0xF8): Port 5 Priority 1 Ingress Limit Control 2</i> | 84 |
| <i>Register 185 (0xB9): Port 1 Priority 2 Ingress Limit Control 3</i> | 84 |
| <i>Register 201 (0xC9): Port 2 Priority 2 Ingress Limit Control 3</i> | 84 |
| <i>Register 217 (0xD9): Port 3 Priority 2 Ingress Limit Control 3</i> | 84 |
| <i>Register 233 (0xE9): Port 4 Priority 2 Ingress Limit Control 3</i> | 84 |
| <i>Register 249 (0xF9): Port 5 Priority 2 Ingress Limit Control 3</i> | 84 |
| <i>Register 186 (0xBA): Port 1 Priority 3 Ingress Limit Control 4</i> | 84 |
| <i>Register 202 (0xCA): Port 2 Priority 3 Ingress Limit Control 4</i> | 84 |
| <i>Register 218 (0xDA): Port 3 Priority 3 Ingress Limit Control 4</i> | 84 |
| <i>Register 234 (0xEA): Port 4 Priority 3 Ingress Limit Control 4</i> | 84 |
| <i>Register 250 (0xFA): Port 5 Priority 3 Ingress Limit Control 4</i> | 84 |
| <i>Register 187 (0xBB): Port 1 Queue 0 Egress Limit Control 1</i> | 85 |
| <i>Register 203 (0xCB): Port 2 Queue 0 Egress Limit Control 1</i> | 85 |
| <i>Register 219 (0xDB): Port 3 Queue 0 Egress Limit Control 1</i> | 85 |
| <i>Register 235 (0xEB): Port 4 Queue 0 Egress Limit Control 1</i> | 85 |
| <i>Register 251 (0xFB): Port 5 Queue 0 Egress Limit Control 1</i> | 85 |
| <i>Register 188 (0xBC) : Port 1 Queue 1 Egress Limit Control 2</i> | 85 |
| <i>Register 204 (0xCC) : Port 2 Queue 1 Egress Limit Control 2</i> | 85 |
| <i>Register 220 (0xDC) : Port 3 Queue 1 Egress Limit Control 2</i> | 85 |
| <i>Register 236 (0xEC) : Port 4 Queue 1 Egress Limit Control 2</i> | 85 |
| <i>Register 252 (0xFC) : Port 5 Queue 1 Egress Limit Control 2</i> | 85 |
| <i>Register 189 (0xBD): Port 1 Queue 2 Egress Limit Control 3</i> | 85 |
| <i>Register 205 (0xCD): Port 2 Queue 2 Egress Limit Control 3</i> | 85 |
| <i>Register 221 (0xDD): Port 3 Queue 2 Egress Limit Control 3</i> | 85 |
| <i>Register 237 (0xED): Port 4 Queue 2 Egress Limit Control 3</i> | 85 |
| <i>Register 253 (0xFD): Port 5 Queue 2 Egress Limit Control 3</i> | 85 |
| <i>Register 190 (0xBE) : Port 1 Queue 3 Egress Limit Control 4</i> | 86 |
| <i>Register 206 (0xCE) : Port 2 Queue 3 Egress Limit Control 4</i> | 86 |

| | |
|--------------------------------------------------------------------------|------------|
| <i>Register 222 (0xDE) : Port 3 Queue 3 Egress Limit Control 4</i> | 86 |
| <i>Register 238 (0xEE): Port 4 Queue 3 Egress Limit Control 4</i> | 86 |
| <i>Register 254 (0xFE): Port 5 Queue 3 Egress Limit Control 4</i> | 86 |
| Data Rate Selection Table in 100BT | 87 |
| Data Rate Selection Table in 10BT | 87 |
| <i>Register 191(0xBF): Testing Register</i> | 88 |
| <i>Register 207(0xCF): Reserved Control Register</i> | 88 |
| <i>Register 223(0xDF): Test Register 2</i> | 88 |
| <i>Register 239(0xEF): Test Register 3</i> | 88 |
| <i>Register 255(0xFF): Testing Register4</i> | 88 |
| Static MAC Address Table | 89 |
| VLAN Table | 91 |
| Dynamic MAC Address Table | 93 |
| MIB (Management Information Base) Counters | 94 |
| MIIM Registers | 97 |
| Register 0h: MII Control..... | 97 |
| Register 1h: MII Status | 98 |
| Register 2h: PHYID HIGH | 98 |
| Register 3h: PHYID LOW | 98 |
| Register 4h: Advertisement Ability..... | 98 |
| Register 5h: Link Partner Ability | 99 |
| Register 1dh: Reserved..... | 99 |
| Register 1fh: PHY Special Control/Status | 99 |
| Absolute Maximum Ratings⁽¹⁾ | 101 |
| Operating Ratings⁽²⁾ | 101 |
| Electrical Characteristics^(4, 5) | 101 |
| Timing Diagrams | 103 |
| EEPROM Timing..... | 103 |
| SNI Timing | 104 |
| MII Timing | 105 |
| RMII Timing..... | 107 |
| SPI Timing | 108 |
| Auto-Negotiation Timing | 110 |
| MDC/MDIO Timing..... | 111 |
| Reset Timing..... | 112 |
| Reset Circuit Diagram..... | 113 |
| Selection of Isolation Transformer⁽¹⁾ | 114 |
| Selection of Reference Crystal | 114 |
| Package Information | 115 |

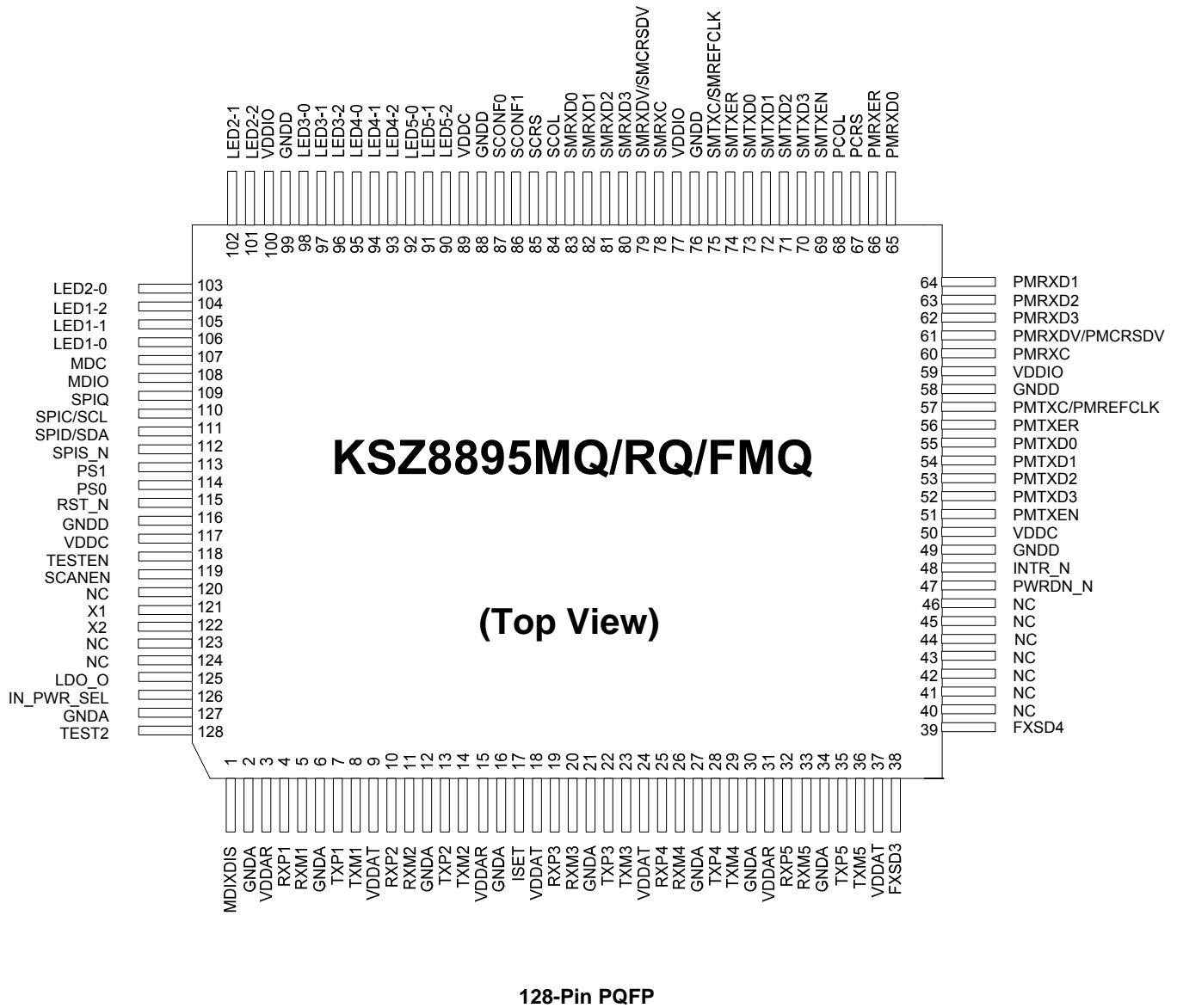
List of Figures

| | |
|-------------------------------------------------------------------------|-----|
| Figure 1. Typical Straight Cable Connection | 26 |
| Figure 2. Typical Crossover Cable Connection | 27 |
| Figure 3. Auto-Negotiation | 28 |
| Figure 4. Destination Address Lookup Flow Chart, Stage 1 | 33 |
| Figure 5. Destination Address Resolution Flow Chart, Stage 2..... | 34 |
| Figure 6. 802.1p Priority Field Format..... | 41 |
| Figure 7. Tail Tag Frame Format | 44 |
| Figure 8. KSZ8895MQ/RQ/FMQ EEPROM Configuration Timing Diagram | 48 |
| Figure 9. SPI Write Data Cycle | 49 |
| Figure 10. SPI Read Data Cycle | 49 |
| Figure 11. SPI Multiple Write | 50 |
| Figure 12. SPI Multiple Read | 50 |
| Figure 13. EEPROM Interface Input Receive Timing Diagram..... | 103 |
| Figure 14. EEPROM Interface Output Transmit Timing Diagram..... | 103 |
| Figure 15. SNI Input Timing | 104 |
| Figure 16. SNI Output Timing | 104 |
| Figure 17. MAC Mode MII Timing – Data Received from MII | 105 |
| Figure 18. MAC Mode MII Timing – Data Transmitted from MII | 105 |
| Figure 19. PHY Mode MII Timing – Data Received from MII..... | 106 |
| Figure 20. PHY Mode MII Timing – Data Transmitted from MII..... | 106 |
| Figure 21. RMII Timing – Data Received from RMII | 107 |
| Figure 22. RMII Timing – Data Transmitted to RMII | 107 |
| Figure 23. SPI Input Timing | 108 |
| Figure 24. SPI Output Timing..... | 109 |
| Figure 25. Auto-Negotiation Timing | 110 |
| Figure 26. MDC/MDIO Timing..... | 111 |
| Figure 27. Reset Timing | 112 |
| Figure 28. Recommended Reset Circuit..... | 113 |
| Figure 29. Recommended Circuit for Interfacing with CPU/FPGA Reset..... | 113 |

List of Tables

| | |
|----------------------------------------------------------------|-----|
| Table 1. MDI/MDI-X Pin Definitions | 26 |
| Table 2. Internal Function Block Status | 29 |
| Table 3. Port 5 PHY P5-MII/RMII Signals | 36 |
| Table 4. Switch MAC5 MII Signals..... | 37 |
| Table 5. Port 5 MAC5 SW5-RMII Connection..... | 39 |
| Table 6. SNI Signals..... | 40 |
| Table 7. Tail Tag Rules | 44 |
| Table 8. FID+DA Look-Up in the VLAN Mode | 46 |
| Table 9. FID+SA Look-Up in the VLAN Mode..... | 46 |
| Table 10. SPI Connections | 49 |
| Table 11. MII Management Interface Frame Format | 51 |
| Table 12. Serial Management Interface (SMI) Frame Format | 51 |
| Table 13. 100BT Rate Selection for the Rate limit..... | 87 |
| Table 14. 10BT Rate Selection for the Rate Limit..... | 87 |
| Table 15. Static MAC Address Table | 89 |
| Table 16. VLAN Table | 91 |
| Table 17. VLAN ID and Indirect Registers | 92 |
| Table 18. Dynamic MAC Address Table | 93 |
| Table 19. Port1 MIB Counter Indirect Memory Offers..... | 94 |
| Table 20. Format of "Per Port" MIB Counter | 95 |
| Table 21. All Port Dropped Packet MIB Counters..... | 95 |
| Table 22. Format of "All Dropped Packet" MIB Counter | 95 |
| Table 23. EEPROM Timing Parameters | 103 |
| Table 24. SNI Timing Parameters..... | 104 |
| Table 25. MAC Mode MII Timing Parameters..... | 105 |
| Table 26. PHY Mode MII Timing Parameters | 106 |
| Table 27. RMII Timing Parameters | 107 |
| Table 28. SPI Input Timing Parameters | 108 |
| Table 29. SPI Output Timing Parameters | 109 |
| Table 30. Auto-Negotiation Timing Parameters..... | 110 |
| Table 31. MDC/MDIO Typical Timing Parameters..... | 111 |
| Table 32. Reset Timing Parameters | 112 |
| Table 33. Transformer Selection Criteria | 114 |
| Table 34. Qualified Magnetic Vendors | 114 |
| Table 35. Typical Reference Crystal Characteristics | 114 |

Pin Configuration



Pin Description

| Pin Number | Pin Name | Type ⁽¹⁾ | Port | Pin Function ⁽²⁾ |
|------------|----------|---------------------|-------|----------------------------------------------------------------------------------------------------------|
| 1 | MDI-XDIS | lpd | 1 – 5 | Disable auto MDI/MDI-X. PD (default) = normal operation. PU = disable auto MDI/MDI-X on all ports. |
| 2 | GND A | GND | | Analog ground. |
| 3 | VDDAR | P | | 1.2V analog V _{DD} . |
| 4 | RXP1 | I | 1 | Physical receive signal + (differential). |
| 5 | RXM1 | I | 1 | Physical receive signal - (differential). |
| 6 | GND A | GND | | Analog ground. |
| 7 | TXP1 | O | 1 | Physical transmit signal + (differential). |
| 8 | TXM1 | O | 1 | Physical transmit signal - (differential). |
| 9 | VDDAT | P | | 3.3V analog V _{DD} . |
| 10 | RXP2 | I | 2 | Physical receive signal + (differential). |
| 11 | RXM2 | I | 2 | Physical receive signal - (differential). |
| 12 | GND A | GND | | Analog ground. |
| 13 | TXP2 | O | 2 | Physical transmit signal + (differential). |
| 14 | TXM2 | O | 2 | Physical transmit signal - (differential). |
| 15 | VDDAR | P | | 1.2V analog V _{DD} . |
| 16 | GND A | GND | | Analog ground. |
| 17 | ISET | | | Set physical transmit output current. Pull-down with a 12.4kΩ1% resistor. |
| 18 | VDDAT | P | | 3.3V analog V _{DD} . |
| 19 | RXP3 | I | 3 | Physical receive signal + (differential). |
| 20 | RXM3 | I | 3 | Physical receive signal - (differential). |
| 21 | GND A | GND | | Analog ground. |
| 22 | TXP3 | O | 3 | Physical transmit signal + (differential). |
| 23 | TXM3 | O | 3 | Physical transmit signal - (differential). |
| 24 | VDDAT | P | | 3.3V analog V _{DD} . |
| 25 | RXP4 | I | 4 | Physical receive signal + (differential). |
| 26 | RXM4 | I | 4 | Physical receive signal - (differential). |
| 27 | GND A | GND | | Analog ground. |
| 28 | TXP4 | O | 4 | Physical transmit signal + (differential). |
| 29 | TXM4 | O | 4 | Physical transmit signal - (differential). |
| 30 | GND A | GND | | Analog ground. |
| 31 | VDDAR | P | | 1.2V analog V _{DD} . |
| 32 | RXP5 | I | 5 | Physical receive signal + (differential). |
| 33 | RXM5 | I | 5 | Physical receive signal - (differential). |
| 34 | GND A | GND | | Analog ground. |
| 35 | TXP5 | O | 5 | Physical transmit signal + (differential). |
| 36 | TXM5 | O | 5 | Physical transmit signal - (differential). |
| 37 | VDDAT | P | | 3.3V analog V _{DD} . |
| 38 | FXSD3 | lpd | 3 | FMQ: Fiber signal detect pin for Port 3. MQ/RQ: no connection. |

Pin Description (Continued)

| Pin Number | Pin Name | Type ⁽¹⁾ | Port | Pin Function ⁽²⁾ |
|------------|----------------|---------------------|------|----------------------------------------------------------------------------------------------------------------------------------------------------------------------------------------------------------------------------------------|
| 39 | FXSD4 | lpd | 4 | FMQ: Fiber signal detect pin for Port 4. MQ/RQ: no connection. |
| 40 | NC | NC | | No connect. |
| 41 | NC | NC | | No connect. |
| 42 | NC | NC | | No connect. |
| 43 | NC | NC | | No connect. |
| 44 | NC | NC | | No connect. |
| 45 | NC | NC | | No connect. |
| 46 | NC | NC | | No connect. |
| 47 | PWRDN_N | lpu | | Full-chip power down. Active low. |
| 48 | INTR_N | Opu | | Interrupt. This pin is Open-Drain output pin. |
| 49 | GNDD | GND | | Digital ground. |
| 50 | VDDC | P | | 1.2V digital core V _{DD} . |
| 51 | PMTXEN | lpd | 5 | PHY[5] MII/RMII transmit enable. |
| 52 | PMTXD3 | lpd | 5 | MQ/FMQ: PHY[5] MII transmit bit 3. RQ: no connection for RMII. |
| 53 | PMTXD2 | lpd | 5 | MQ/FMQ: PHY[5] MII transmit bit 2. RQ: no connection for RMII. |
| 54 | PMTXD1 | lpd | 5 | PHY[5] MII/RMII transmit bit 1. |
| 55 | PMTXD0 | lpd | 5 | PHY[5] MII/RMII transmit bit 0. |
| 56 | PMTXER | lpd | 5 | MQ/FMQ: PHY[5] MII transmit error. RQ: no connection for RMII. |
| 57 | PMTXC/PMREFCLK | I/O | 5 | MQ/FMQ: Output PHY[5] MII transmit clock RQ: Input PHY[5] RMII reference clock, 50MHz ±50ppm, the 50MHz clock comes from PMRXC Pin 60. |
| 58 | GNDD | GND | | Digital ground. |
| 59 | VDDIO | P | | 3.3V, 2.5V or 1.8V digital V _{DD} for digital I/O circuitry. |
| 60 | PMRXC | I/O | 5 | MQ/FMQ: Output PHY[5] MII receive clock. RQ: Output PHY[5] RMII reference clock, this clock is used when opposite doesn't provide RMII 50MHz clock or the system doesn't provide an external 50MHz clock for the P5-RMII interface. |
| 61 | PMRXDV/PMCRSDV | lpd/O | 5 | MQ/FMQ: PMRXDV is for PHY[5] MII receive data valid. RQ: PMCRSDV is for PHY[5] RMII Carrier Sense/Receive Data Valid Output. |
| 62 | PMRXD3 | lpd/O | 5 | MQ/FMQ: PHY[5] MII receive bit 3. RQ: no connection for RMII. Strap option: PD (default) = enable flow control. PU = disable flow control. |
| 63 | PMRXD2 | lpd/O | 5 | MQ/FMQ: PHY[5] MII receive bit 2. RQ: no connection for RMII. Strap option: PD (default) = disable back pressure. PU = enable back pressure. |

Pin Description (Continued)

| Pin Number | Pin Name | Type ⁽¹⁾ | Port | Pin Function ⁽²⁾ |
|------------|----------------|---------------------|------|---------------------------------------------------------------------------------------------------------------------------------------------------------------------------------------------------------------------------------------------------------------------------------------------------------------------------------------------------------------------------------------------------------------------------------------------------------------------------------------|
| 64 | PMRXD1 | lpd/O | 5 | PHY[5] MII/RMII receive bit 1. Strap option: PD (default) = drop excessive collision packets. PU = does not drop excessive collision packets. |
| 65 | PMRXD0 | lpd/O | 5 | PHY[5] MII/RMII receive bit 0. Strap option: PD (default) = disable aggressive back-off algorithm in half-duplex mode. PU = enable for performance enhancement. |
| 66 | PMRXER | lpd/O | 5 | MQ/FMQ:PHY[5] MII receive error RQ: no connection for RMII Strap option: PD (default) = packet size 1518/1522 bytes. PU = 1536 bytes. |
| 67 | PCRS | lpd/O | 5 | MQ/FMQ: PHY[5] MII carrier sense. RQ: no connection for RMII. Strap option for port 4 only. PD (default) = force half-duplex if auto-negotiation is disabled or fails. PU = force full-duplex if auto negotiation is disabled or fails. Refer to Register 76. |
| 68 | PCOL | lpd/O | 5 | MQ/FMQ: PHY[5] MII collision detect. RQ: no connection. Strap option for port 4 only. PD (default) = no force flow control, normal operation. PU = force flow control. Refer to Register 66. |
| 69 | SMTXEN | lpd | | Port 5 Switch MII/RMII transmit enable. |
| 70 | SMTXD3 | lpd | | MQ/FMQ: Port 5 Switch MII transmit bit 3. RQ: no connection for RMII. |
| 71 | SMTXD2 | lpd | | MQ/FMQ: Port 5 Switch MII transmit bit 2. RQ: no connection for RMII. |
| 72 | SMTXD1 | lpd | | Port 5 Switch MII/RMII transmit bit 1. |
| 73 | SMTXD0 | lpd | | Port 5 Switch MII/RMII transmit bit 0. |
| 74 | SMTXER | lpd | | MQ/FMQ: Port 5 Switch MII transmit error. RQ: no connection for RMII. |
| 75 | SMTXC/SMREFCLK | I/O | | MQ/FMQ: Port 5 Switch MII transmit clock, Input: SW5-MII MAC mode, Output: SW5-MII PHY modes. RQ: Input SW5-RMII 50MHz +/-50ppm reference clock. The 50MHz clock comes from SMRXC Pin 78 when the device is the clock mode which the device's clock comes from 25MHz crystal/oscillator from pins X1/X2. Or the 50MHz clock comes from external 50MHz clock source when the device is the normal mode which the device's clock source comes from SMTXC pin not from X1/X2 pins. |
| 76 | GNDD | GND | | Digital ground. |
| 77 | VDDIO | P | | 3.3V, 2.5V or 1.8V digital V _{DD} for digital I/O circuitry. |

Pin Description (Continued)

| Pin Number | Pin Name | Type ⁽¹⁾ | Port | Pin Function ⁽²⁾ | | |
|------------|----------------|---------------------|-------------|--------------------------------------------------------------------------------------------------------------------------------------------------------------------------------------------------------------------------------------------------------------------------------------------------------------------------------------------------------------------------------------------------------------------------------------------------|----------|------------|
| 78 | SMRXC | I/O | | MQ/FMQ: Port 5 Switch MII receive clock, Input: SW5-MII MAC mode, Output: SW5-MII PHY mode. RQ: Output SW5-RMII 50MHz clock, this clock is used when opposite doesn't provide RMII reference clock or the system doesn't provide an external 50MHz clock for the RMII interface. | | |
| 79 | SMRXDV/SMCRSDV | lpd/O | | MQ/FMQ: SMRXDV is for Switch MAC5 MII receive data valid. RQ: SMCRSDV is for MAC5 RMII Carrier Sense/Receive Data Valid Output. | | |
| 80 | SMRXD3 | lpd/O | | MQ/FMQ: Port 5 Switch MII receive bit 3. RQ: no connection for RMII Strap option: PD (default) = Disable Switch SW5-MII full-duplex flow control PU = Enable Switch SW5-MII full-duplex flow control. | | |
| 81 | SMRXD2 | lpd/O | | MQ/FMQ: Port 5 Switch MII receive bit 2. RQ: no connection for RMII Strap option: PD (default) = Switch SW5-MII in full-duplex mode; PU = Switch SW5-MII in half-duplex mode. | | |
| 82 | SMRXD1 | lpd/O | | Port 5 Switch MII/RMII receive bit 1. Strap option: PD (default) = Port 5 Switch SW5-MII in 100Mbps mode. PU = Switch SW5-MII in 10Mbps mode. | | |
| 83 | SMRXD0 | lpd/O | | Port 5 Switch MII/RMII receive bit 0. Strap option: LED mode PD (default) = mode 0; PU = mode 1. See "Register 11." Mode 0, link at: 100/Full LEDx[2,1,0] = 0, 0, 0 100/Half LEDx[2,1,0] = 0, 1, 0 10/Full LEDx[2,1,0] = 0, 0, 1 10/Half LEDx[2,1,0] = 0, 1, 1 Mode 1, link at: 100/Full LEDx[2,1,0] = 0, 1, 0 100/Half LEDx[2,1,0] = 0, 1, 1 10/Full LEDx[2,1,0] = 1, 0, 0 10/Half LEDx[2,1,0] = 1, 0, 1 | | |
| | | | | | Mode 0 | Mode 1 |
| | | | | LEDX_2 | Lnk/Act | 100Lnk/Act |
| | | | | LEDX_1 | Full/Col | 10Lnk/Act |
| | LEDX_0 | Speed | Full duplex | | | |
| 84 | SCOL | lpd/O | | MQ/FMQ: Port 5 Switch MII collision detect, Input: SW5-MII MAC modes, Output: SW5-MII PHY modes. RQ: no connection for RMII | | |
| 85 | SCRS | lpd/O | | MQ/FMQ: Port 5 Switch MII modes carrier sense, Input: SW5-MII MAC modes, Output: SW5-MII PHY modes. RQ: no connection for RMII | | |

Pin Description (Continued)

| Pin Number | Pin Name | Type ⁽¹⁾ | Port | Pin Function ⁽²⁾ | | |
|------------|--------------|---------------------|------|-----------------------------------------------------------------------------------------------------------------------------------------------------------------------------------------------------------------------|----------------------------------------|--------------------------------|
| 86 | SCONF1 | lpd | | Pins 91, 86, and 87 are dual MII/RMII configuration pins for the Port 5 MAC5 MII/RMII and PHY[5] MII/RMII. SW5-MII supports both MAC mode and PHY modes. P5-MII supports PHY mode only. See pins configuration below. | | |
| | | | | Pin# (91, 86, 87) | Port 5 Switch MAC5 SW5-MII/RMII | Port5 PHY5 P5- MII/RMII |
| | | | | 000 | Disable, Otri | Disable, Otri |
| | | | | 001 | PHY Mode MII, or RMII | Disable, Otri |
| | | | | 010 | MAC Mode MII, or RMII | Disable, Otri |
| | | | | 011 | PHY Mode SNI | Disable, Otri |
| | | | | 100 | Disable | Disable |
| | | | | 101 | PHY Mode MII or RMII | P5-MII/RMII |
| | | | | 110 | MAC Mode MII or RMII | P5-MII/RMII |
| 111 | PHY Mode SNI | P5-MII/RMII | | | | |
| 87 | SCONF0 | lpd | | Dual MII/RMII configuration pin. See pin 86 descriptions. | | |
| 88 | GNDD | GND | | Digital ground. | | |
| 89 | VDDC | P | | 1.2V digital core V _{DD} . | | |
| 90 | LED5-2 | lpu/O | 5 | LED indicator 2. Strap option: Aging setup. See "Aging" section. PU (default) = aging enable PD = aging disable. | | |
| 91 | LED5-1 | lpu/O | 5 | LED indicator 1. Strap option: PU (default): enable PHY[5] MII I/F. PD: tristate all PHY[5] MII output. See "Pin 86 SCONF1." | | |
| 92 | LED5-0 | lpu/O | 5 | LED indicator 0. Strap option for port 4 only. PU (default) = Enable auto-negotiation. PD = Disable auto-negotiation. Strap to register76 bit[7]. | | |
| 93 | LED4-2 | lpu/O | 4 | LED indicator 2. | | |
| 94 | LED4-1 | lpu/O | 4 | LED indicator 1. | | |
| 95 | LED4-0 | lpu/O | 4 | LED indicator 0. Strap option: PU (default) = Normal mode. PD = Energy Detection mode (EDPD mode) Strap to register 14 bits[4:3] | | |
| 96 | LED3-2 | lpu/O | 3 | LED indicator 2. | | |
| 97 | LED3-1 | lpu/O | 3 | LED indicator 1. | | |
| 98 | LED3-0 | lpu/O | 3 | LED indicator 0. Strap option: PU (default) = Select I/O drive strength (8mA); PD = Select I/O drive strength (12mA). Strap to register132 bit[7-6]. | | |
| 99 | GNDD | GND | | Digital ground. | | |

Pin Description (Continued)

| Pin Number | Pin Name | Type ⁽¹⁾ | Port | Pin Function ⁽²⁾ |
|------------|-----------|---------------------|------|-----------------------------------------------------------------------------------------------------------------------------------------------------------------------------------------------------------------------------------------------------------------------------------------------------------------------------------------------------------------------------------------------------------------------------------------------------------------------------------------------------------------------------------------------------|
| 100 | VDDIO | P | | 3.3V, 2.5V or 1.8V digital V _{DD} for digital I/O circuitry. |
| 101 | LED2-2 | Ipu/O | 2 | LED indicator 2. Strap option for RQ only: PU (default) = Select the device as clock mode in SW5- RMII, 25MHz crystal/oscillator to X1/X2 pins of the device and pins of SMRXC and PMRXC output 50MHz clock. PD = Select the device as normal mode in SW5-RMII. Switch MAC5 used only. The input clock from X1/X2 pins is not used, the device's clock source comes from SMTXC/SMREFCLK pin which the 50MHz reference clock comes from external 50MHz clock source, PMRXC can output 50MHz clock for P5-RMII interface in the normal mode. |
| 102 | LED2-1 | Ipu/O | 2 | LED indicator 1. Strap option: for Port 3 only. PU (default) = Enable auto-negotiation. PD = Disable auto-negotiation. Strap to register60 bit[7]. |
| 103 | LED2-0 | Ipu/O | 2 | LED indicator 0. |
| 104 | LED1-2 | Ipu/O | 1 | LED indicator 2. |
| 105 | LED1-1 | Ipu/O | 1 | LED indicator 1. Strap option: for port 3 only. PU (default) = no force flow control, normal operation. PD = force flow control. Strap to register60 bit[4]. |
| 106 | LED1-0 | Ipu/O | 1 | LED indicator 0. Strap option for port 3 only. PU (default) = force half-duplex if auto-negotiation is disabled or fails. PD = force full-duplex if auto negotiation is disabled or fails. Strap to register60 bit[5]. |
| 107 | MDC | Ipu | All | Switch or PHY[5] MII management (MIIM registers) data clock. Or SMI interface clock |
| 108 | MDIO | I/O | All | Switch or PHY[5] MII management (MIIM registers) data I/O. Or SMI interface data I/O. Features internal pull down to define pin state when not driven. Need an external pull-up when driven. |
| 109 | SPIQ | Otri | All | SPI serial data output in SPI slave mode. |
| 110 | SPIC/SCL | I/O | All | (1) Input clock up to 25MHz in SPI slave mode, (2) output clock at 61kHz in I ² C master mode. See "Pin 113." |
| 111 | SSPID/SDA | I/O | All | (1) Serial data input in SPI slave mode; (2) serial data input/output in I ² C master mode. See "Pin 113." |
| 112 | SPIS_N | Ipu | All | Active low. (1) SPI data transfer start in SPI slave mode. When SPIS_N is high, the KSZ8895MQ/RQ/FMQ/RQ/FMQ is deselected and SPIQ is held in high impedance state, a high-to-low transition to initiate the SPI data transfer. (2) not used in I ² C master mode. |

Pin Description (Continued)

| Pin Number | Pin Name | Type ⁽¹⁾ | Port | Pin Function ⁽²⁾ | |
|------------|------------|---------------------|------|--------------------------------------------------------------------------------------------------------------------------------------------------------------------------------------|-----------------------------------------|
| 113 | PS1 | Ipd | | Serial bus configuration pin. For this case, if the EEPROM is not present, the KSZ8895MQ/RQ/FMQ/RQ/FMQ will start itself with the PS[1.0] = 00 default register values. | |
| | | | | Pin Configuration | Serial Bus Configuration |
| | | | | PS[1.0] = 00 | I ² C Master Mode for EEPROM |
| | | | | PS[1.0] = 01 | SMI Interface Mode |
| | | | | PS[1.0] = 10 | SPI Slave Mode for CPU Interface |
| | | | | PS[1.0] = 11 | Factory Test Mode (BIST) |
| 114 | PS0 | Ipd | | Serial bus configuration pin. See "Pin 113." | |
| 115 | RST_N | Ipu | | Reset the KSZ8895MQ/RQ/FMQ/RQ/FMQ device. Active low. | |
| 116 | GNDD | GND | | Digital ground. | |
| 117 | VDDC | P | | 1.2V digital core V _{DD} . | |
| 118 | TESTEN | Ipd | | NC for normal operation. Factory test pin. | |
| 119 | SCANEN | Ipd | | NC for normal operation. Factory test pin. | |
| 120 | NC | NC | | No connect. | |
| 121 | X1 | I | | 25MHz crystal clock connection/or 3.3V Oscillator input. Crystal/Oscillator should be ±50ppm tolerance. | |
| 122 | X2 | O | | 25MHz crystal clock connection. | |
| 123 | NC | NC | | No connect. | |
| 124 | NC | NC | | No connect. | |
| 125 | LDO_O | P | | When pin126 is pull-up, the Internal 1.2V LDO controller is enabled and create 1.2V output with using an external FET. When pin126 is pull-down (default), the pin 125 is tristated. | |
| 126 | IN_PWR_SEL | Ipd | | Pull-up to enable LDO_O of pin 125. Pull-down to disable LDO_0. | |
| 127 | GNDA | GND | | Analog ground. | |
| 128 | TEST2 | NC | | NC for normal operation. Factory test pin. | |

Notes:

- P = Power supply.
 - I = Input.
 - O = Output.
 - I/O = Bidirectional.
 - GND = Ground.
 - Ipu = Input w/internal pull-up.
 - Ipd = Input w/internal pull-down.
 - Ipd/O = Input w/internal pull-down during reset, output pin otherwise.
 - Ipu/O = Input w/internal pull-up during reset, output pin otherwise.
 - NC = No connect.
- PU = Strap pin pull-up.
 - PD = Strap pull-down.
 - OTRI = Output tristated.

Pin for Strap-in Options

The KSZ8895MQ/RQ/FMQ can function as a managed switch or an unmanaged switch. If no EEPROM or micro-controller exists, then the KSZ8895MQ/RQ/FMQ will operate from its default setting. The strap-in option pins can be configured by external pull-up/down resistors and take effect after power down reset or warm reset. The functions are described in the table below.

| Pin # | Pin Name | PU/PD ⁽¹⁾ | Description ⁽¹⁾ |
|-------|----------|----------------------|-----------------------------------------------------------------------------------------------------------------------------------------------------------------------------------------------------------------------------------|
| 1 | MDI-XDIS | lpd | Disable auto MDI/MDI-X. Strap option: PD = (default) = normal operation. PU = disable auto MDI/MDI-X on all ports. |
| 62 | PMRXD3 | lpd/O | PHY[5] MII receive bit 3. Strap option: PD (default) = enable flow control; PU = disable flow control. |
| 63 | PMRXD2 | lpd/O | PHY[5] MII receive bit 2. Strap option: PD (default) = disable back pressure; PU = enable back pressure. |
| 64 | PMRXD1 | lpd/O | PHY[5] MII receive bit 1. Strap option: PD (default) = drop excessive collision packets; PU = does not drop excessive collision packets. |
| 65 | PMRXD0 | lpd/O | PHY[5] MII receive bit 0. Strap option: PD (default) = disable aggressive back-off algorithm in half-duplex mode; PU = enable for performance enhancement. |
| 66 | PMRXER | lpd/O | PHY[5] MII receive error. Strap option: PD (default) = 1522/1518 bytes; PU = packet size up to 1536 bytes. |
| 67 | PCRS | lpd/O | PHY[5] MII carrier sense Strap option for Port 4 only. PD (default) = force half-duplex if auto-negotiation is disabled or fails. PU = force full-duplex if auto-negotiation is disabled or fails. Refer to register 76. |
| 68 | PCOL | lpd/O | PHY[5] MII collision detect Strap option for Port 4 only. PD (default) = no force flow control. PU = force flow control. Refer to register 66. |
| 80 | SMRXD3 | lpd/O | Switch MII receive bit 3. Strap option: PD (default) = disable switch SW5-MII full-duplex flow control; PU = enable switch SW5-MII full-duplex flow control. |
| 81 | SMRXD2 | lpd/O | Switch MII receive bit 2. Strap option: PD (default) = switch SW5-MII in full-duplex mode; PU = switch SW5-MII in half-duplex mode. |
| 82 | SMRXD1 | lpd/O | Switch MII receive bit 1. Strap option: PD (default) = switch SW5-MII in 100Mbps mode. PU = switch MII in 10Mbps mode. |

| Pin # | Pin Name | PU/PD ⁽¹⁾ | Description ⁽¹⁾ | | |
|-------|--------------|----------------------|-----------------------------------------------------------------------------------------------------------------------------------------------------------------------------------------------------------------|------------------------------------|--------------------------------------------|
| 83 | SMRXD0 | lpd/O | Switch MII receive bit 0. Strap option: LED mode PD (default) = mode 0; PU = mode 1. See "Register 11." | | |
| | | | | Mode 0 | Mode 1 |
| | | | LEDX_2 | Lnk/Act | 100Lnk/Act |
| | | | LEDX_1 | FullD/Col | 10Lnk/Act |
| | | | LEDX_0 | Speed | FullD |
| 86 | SCONF1 | lpd | Pin 91,86,87 are dual MII/RMII configuration pins for the Port 5 MAC 5 MII/RMII and PHY[5] MII/RMII. SW5-MII supports both MAC mode and PHY modes. P5-MII supports PHY mode only. See pins configuration below. | | |
| | | | Pins [91, 86, 87] | Port 5 MAC 5 Switch SW5-MII | Port 5 PHY [5] MII/RMII P5-MII/RMII |
| | | | 000 | Disable, Otri | Disable, Otri |
| | | | 001 | PHY Mode MII or RMII | Disable, Otri |
| | | | 010 | MAC Mode MII or RMII | Disable, Otri |
| | | | 011 | PHY Mode SNI | Disable, Otri |
| | | | 100 | Disable | Disable |
| | | | 101 | PHY Mode MII or RMII | P5- MII/RMII |
| | | | 110 | MAC Mode MII or RMII | P5- MII/RMII |
| 111 | PHY Mode SNI | P5- MII/RMII | | | |
| 87 | SCONF0 | lpd | Dual MII/RMII configuration pin. See pin 86 description. | | |
| 90 | LED5-2 | lpu/O | LED5 indicator 2. Strap option: Aging setup. See "Aging" section PU (default) = aging enable; PD = aging disable. | | |
| 91 | LED5-1 | lpu/O | LED5 indicator 1. Strap option: PU (default): enable PHY[5] MII I/F. PD: tristate all PHY[5] MII output. See "Pin 86 SCONF1." | | |
| 92 | LED5-0 | lpu/O | LED5 indicator 0. Strap option for Port 4 only. PU (default) = Enable auto-negotiation. PD = Disable auto-negotiation. Strap to register76 bit[7]. | | |
| 95 | LED4-0 | lpu/O | LED indicator 0. Strap option: PU (default) = Normal mode. PD = Energy Detection mode (EDPD mode). Strap to register 14 bits[4:3]. | | |
| 98 | LED3-0 | lpu/O | LED3 indicator 0. Strap option: PU (default) = Select I/O current drive strength (8mA); PD = Select I/O current drive strength (12mA). Strap to register132 bit[7:6]. | | |

| Pin # | Pin Name | PU/PD ⁽¹⁾ | Description ⁽¹⁾ | |
|-------|----------|----------------------|----------------------------------------------------------------------------------------------------------------------------------------------------------------------------------------------------------------------------------------------------------------------------------------------------------------------------------------------------------------------------------------------------------------------------------------|-----------------------------------------|
| 101 | LED2-2 | lpu/O | LED2 indicator 2. Strap option for KSZ8895RQ only: PU (default) = Select the device as clock mode in RQ SW5- RMII, 25MHz crystal to X1/X2 pins of the device and REFCLK output 50MHz clock. PD = Select the device as normal mode in SW5-RMII. Switch MAC5 used only. The input clock is useless from X1/X2 pin, the device's clock comes from SMTXC/SMREFCLK pin, 50MHz reference clock from external 50MHz clock source. | |
| 102 | LED2-1 | lpu/O | LED2 indicator 1. Strap option for Port 3 only. PU (default) = Enable auto-negotiation. PD = Disable auto-negotiation. Strap to register60 bit[7]. | |
| 103 | LED2-0 | lpu/O | LED2 indicator 0. | |
| 104 | LED1-2 | lpu/O | LED1 indicator 2. | |
| 105 | LED1-1 | lpu/O | LED1 indicator 1. Strap option for Port 3 only. PU (default) = no force flow control, normal operation. PD = force flow control. Strap to register50 bit[4]. | |
| 106 | LED1-0 | lpu/O | LED1 indicator 0. Strap option for Port 3 only. PU (default) = force half-duplex if auto-negotiation is disabled or fails. PD = force full-duplex if auto negotiation is disabled or fails. Strap to register60 bit[5]. | |
| 113 | PS1 | lpd | Serial bus configuration pin. For this case, if the EEPROM is not present, the KSZ8895MQ/RQ/FMQ/RQ/FMQ will start itself with the PS[1:0] = 00 default register values . | |
| | | | Pin Configuration | Serial Bus Configuration |
| | | | PS[1:0] = 00 | I ² C Master Mode for EEPROM |
| | | | PS[1:0] = 01 | SMI Interface Mode |
| | | | PS[1:0] = 10 | SPI Slave Mode for CPU Interface |
| | | | PS[1:0] = 11 | Factory Test Mode (BIST) |
| 114 | PS0 | lpd | Serial bus configuration pin. See "Pin 113." | |
| 128 | TEST2 | NC | NC for normal operation. Factory test pin. | |

Notes:

1. NC = No connect.
lpd = Input w/internal pull-down.
lpd/O = Input w/internal pull-down during reset, output pin otherwise.
lpu/O = Input w/internal pull-up during reset, output pin otherwise.

Introduction

The KSZ8895MQ/RQ/FMQ contains five 10/100 physical layer transceivers and five media access control (MAC) units with an integrated Layer 2 managed switch. The device runs in three modes. The first mode is as a five-port integrated switch. The second is as a five-port switch with the fifth port decoupled from the physical port. In this mode, access to the fifth MAC is provided through a media independent interface (MII/RMII). This is useful for implementing an integrated broadband router. The third mode uses the dual MII/RMII feature to recover the use of the fifth PHY. This allows the additional broadband gateway configuration, where the fifth PHY may be accessed through the P5-MII/RMII port.

The KSZ8895MQ/RQ/FMQ has the flexibility to reside in a managed or unmanaged design. In a managed design, a host processor has complete control of the KSZ8895MQ/RQ/FMQ via the SPI bus, or the MDC/MDIO interface. An unmanaged design is achieved through I/O strapping or EEPROM programming at system reset time.

On the media side, the KSZ8895MQ/RQ/FMQ supports IEEE 802.3 10BASE-T, 100BASE-TX on all copper ports with Auto MDI/MDIX. The KSZ8895FMQ supports 100BASE-FX on port 3 and port 4. The KSZ8895MQ/RQ/FMQ can be used as a fully managed five-port switch or hooked up to a microprocessor by its SW-MII/RMII interfaces for any application solutions.

Physical signal transmission and reception are enhanced through the use of patented analog circuitry that makes the design more efficient and allows for reduced power consumption and smaller chip die size.

Major enhancements from the KS8895MA/FQ to the KSZ8895MQ/FMQ include more host interface options, a dual-switch MAC5 MII and PHY5 MII interfaces with other options, RMII from part of the KSZ8895RQ, tag and port-based VLAN, rapid spanning tree support, IGMP snooping support, port mirroring support, more flexible rate limiting, and new filtering functionality.

Functional Overview: Physical Layer Transceiver

100BASE-TX Transmit

The 100BASE-TX transmit function performs parallel-to-serial conversion, 4B/5B coding, scrambling, NRZ-to-NRZI conversion, MLT3 encoding and transmission. The circuit starts with a parallel-to-serial conversion, which converts the MII data from the MAC into a 125MHz serial bit stream. The data and control stream is then converted into 4B/5B coding followed by a scrambler. The serialized data is further converted from NRZ-to-NRZI format, and then transmitted in MLT3 current output. The output current is set by an external 1% 12.4kΩ resistor for the 1:1 transformer ratio. It has a typical rise/fall time of 4ns and complies with the ANSI TP-PMD standard regarding amplitude balance, overshoot, and timing jitter. The wave-shaped 10BASE-T output is also incorporated into the 100BASE-TX transmitter.

100BASE-TX Receive

The 100BASE-TX receiver function performs adaptive equalization, DC restoration, MLT3-to-NRZI conversion, data and clock recovery, NRZI-to-NRZ conversion, descrambling, 4B/5B decoding, and serial-to-parallel conversion. The receiving side starts with the equalization filter to compensate for intersymbol interference (ISI) over the twisted pair cable. Since the amplitude loss and phase distortion is a function of the length of the cable, the equalizer has to adjust its characteristics to optimize the performance. In this design, the variable equalizer will make an initial estimation based on comparisons of incoming signal strength against some known cable characteristics, then tunes itself for optimization. This is an ongoing process and can self-adjust against environmental changes such as temperature variations.

The equalized signal then goes through a DC restoration and data conversion block. The DC restoration circuit is used to compensate for the effect of baseline wander and improve the dynamic range. The differential data conversion circuit converts the MLT3 format back to NRZI. The slicing threshold is also adaptive.

The clock recovery circuit extracts the 125MHz clock from the edges of the NRZI signal. This recovered clock is then used to convert the NRZI signal into the NRZ format. The signal is then sent through the de-scrambler followed by the 4B/5B decoder. Finally, the NRZ serial data is converted to the MII format and provided as the input data to the MAC.

PLL Clock Synthesizer

The KSZ8895MQ/RQ/FMQ generates 125MHz, 83MHz, 41MHz, 25MHz and 10MHz clocks for system timing. Internal clocks are generated from an external 25MHz crystal or oscillator.

Scrambler/Descrambler (100BASE-TX only)

The purpose of the scrambler is to spread the power spectrum of the signal in order to reduce EMI and baseline wander. The data is scrambled through the use of an 11-bit wide linear feedback shift register (LFSR). This can generate a 2047-bit non-repetitive sequence. The receiver will then descramble the incoming data stream with the same sequence at the transmitter.

100BASE-FX Operation

100BASE-FX operation is very similar to 100BASE-TX operation except that the scrambler/descrambler and MLT3 encoder/decoder are bypassed on transmission and reception. In this mode, the auto-negotiation feature is bypassed since there is no standard that supports fiber auto-negotiation.

100BASE-FX Signal Detection

The physical port runs in 100BASE-FX fiber mode for the Port 3 and Port 4 of the KSZ8895FMQ. This signal is internally referenced to 1.2V. The fiber module interface should be set by a voltage divider such that FXSDx 'H' is above this 1.2V reference, indicating signal detect, and FXSDx 'L' is below the 1.2V reference to indicate no signal. There is no auto-negotiation for 100BASE-FX mode, the ports must be forced to either full or half-duplex for the fiber ports. Note that strap-in options support Port 3 and Port 4 to disable auto-negotiation, force 100Base-FX speed, force duplex mode, and force flow control for KSZ8895FMQ with unmanaged mode.

100BASE-FX Far End Fault

Far end fault occurs when the signal detection is logically false from the receive fiber module. When this occurs, the transmission side signals the other end of the link by sending 84 1s followed by a zero in the idle period between frames. The far end fault may be disabled through register settings.

10BASE-T Transmit

The output 10BASE-T driver is incorporated into the 100BASE-T driver to allow transmission with the same magnetics. They are internally wave-shaped and pre-emphasized into outputs with a typical 2.3V amplitude. The harmonic contents are at least 27dB below the fundamental when driven by an all-ones Manchester-encoded signal.

10BASE-T Receive

On the receive side, input buffer and level detecting squelch circuits are employed. A differential input receiver circuit and a PLL perform the decoding function. The Manchester-encoded data stream is separated into clock signal and NRZ data. A squelch circuit rejects signals with levels less than 400mV or with short pulsewidths in order to prevent noises at the RXP or RXM input from falsely triggering the decoder. When the input exceeds the squelch limit, the PLL locks onto the incoming signal and the KSZ8895MQ/RQ/FMQ decodes a data frame. The receiver clock is maintained active during idle periods in between data reception.

MDI/MDI-X Auto Crossover

To eliminate the need for crossover cables between similar devices, the KSZ8895MQ/RQ/FMQ supports HP Auto MDI/MDI-X and IEEE 802.3u standard MDI/MDI-X auto crossover. HP Auto MDI/MDI-X is the default.

The auto-sense function detects remote transmit and receive pairs and correctly assigns transmit and receive pairs for the KSZ8895MQ/RQ/FMQ device. This feature is extremely useful when end users are unaware of cable types, and also, saves on an additional uplink configuration connection. The auto-crossover feature can be disabled through the port control registers, or MIIM PHY registers. The IEEE 802.3u standard MDI and MDI-X definitions are:

| MDI | | MDI-X | |
|------------|---------|------------|---------|
| RJ-45 Pins | Signals | RJ-45 Pins | Signals |
| 1 | TD+ | 1 | RD+ |
| 2 | TD- | 2 | RD- |
| 3 | RD+ | 3 | TD+ |
| 6 | RD- | 6 | TD- |

Table 1. MDI/MDI-X Pin Definitions

Straight Cable

A straight cable connects an MDI device to an MDI-X device, or an MDI-X device to an MDI device. The following diagram depicts a typical straight cable connection between a NIC card (MDI) and a switch, or hub (MDI-X).

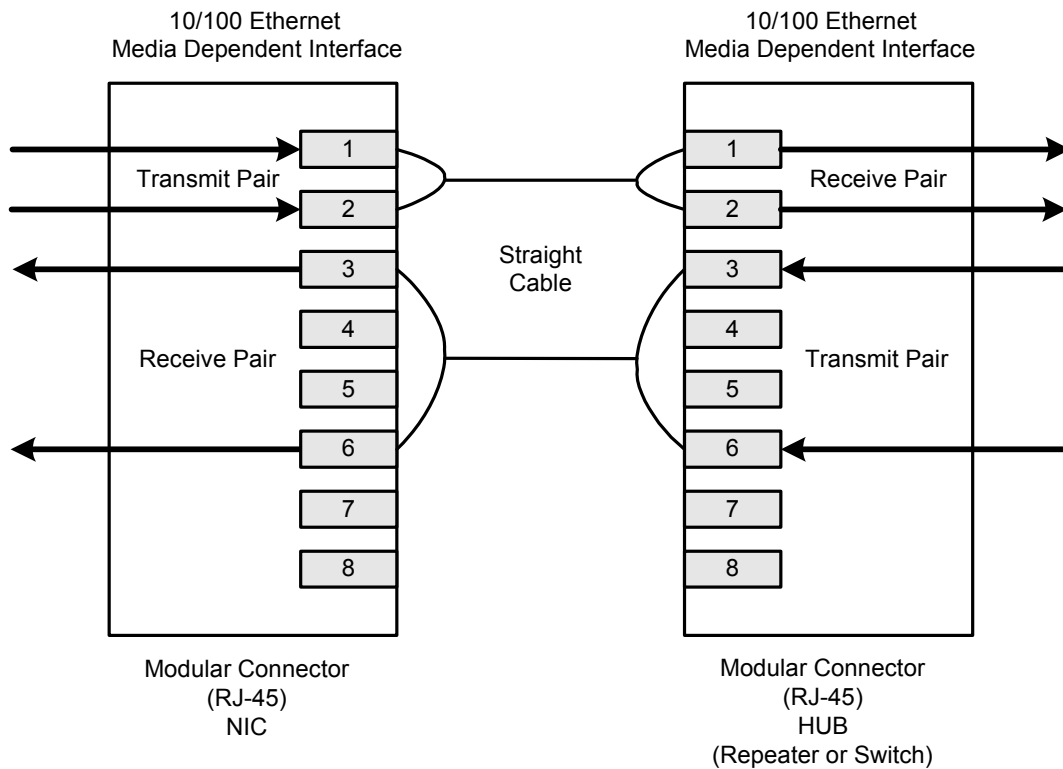


Figure 1. Typical Straight Cable Connection

Crossover Cable

A crossover cable connects an MDI device to another MDI device, or an MDI-X device to another MDI-X device. The following diagram shows a typical crossover cable connection between two switches or hubs (two MDI-X devices).

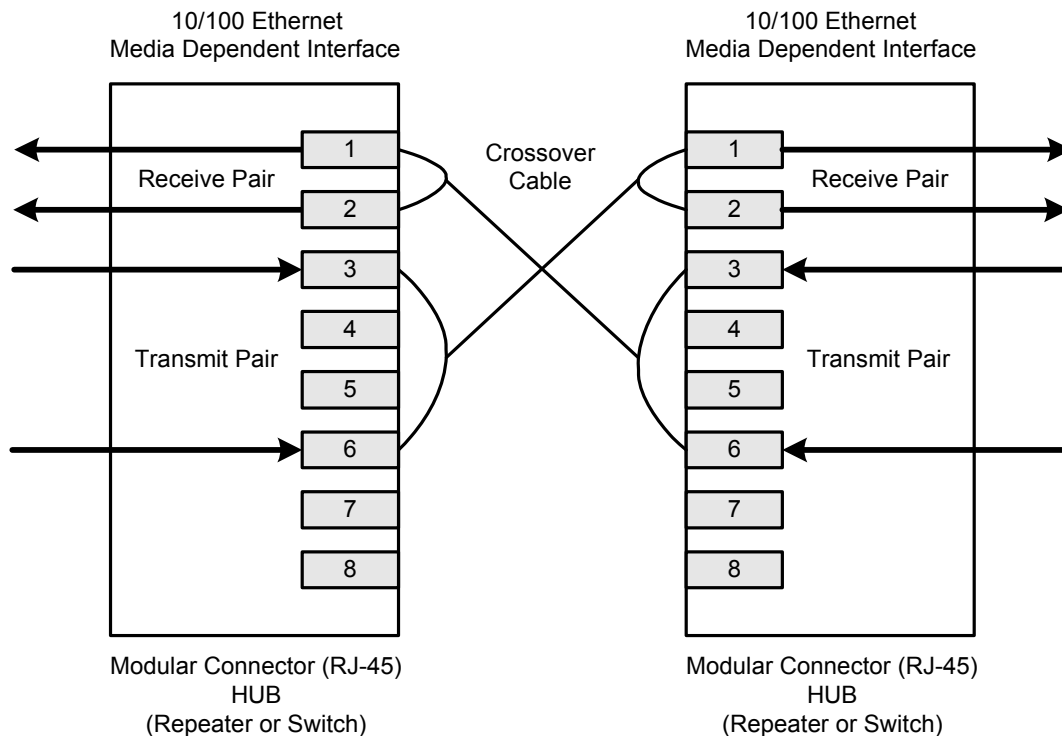


Figure 2. Typical Crossover Cable Connection

Auto-Negotiation

The KSZ8895MQ/RQ/FMQ conforms to the auto-negotiation protocol as described by the 802.3 committee. Auto-negotiation allows unshielded twisted pair (UTP) link partners to select the highest common mode of operation. Link partners advertise their capabilities to each other, and then compare their own capabilities with those they received from their link partners. The highest speed and duplex setting that is common to the two link partners is selected as the mode of operation. Auto-negotiation is supported for the copper ports only.

The following list shows the speed and duplex operation mode from highest to lowest.

- Highest: 100Base-TX, full-duplex
- High: 100Base-TX, half-duplex
- Low: 10Base-T, full-duplex
- Lowest: 10Base-T, half-duplex

If auto-negotiation is not supported or the KSZ8895MQ/RQ/FMQ link partner is forced to bypass auto-negotiation, the KSZ8895MQ/RQ/FMQ sets its operating mode by observing the signal at its receiver. This is known as parallel detection, and allows the KSZ8895MQ/RQ/FMQ to establish link by listening for a fixed signal protocol in the absence of auto-negotiation advertisement protocol. The auto-negotiation link up process is shown in the following flow chart.

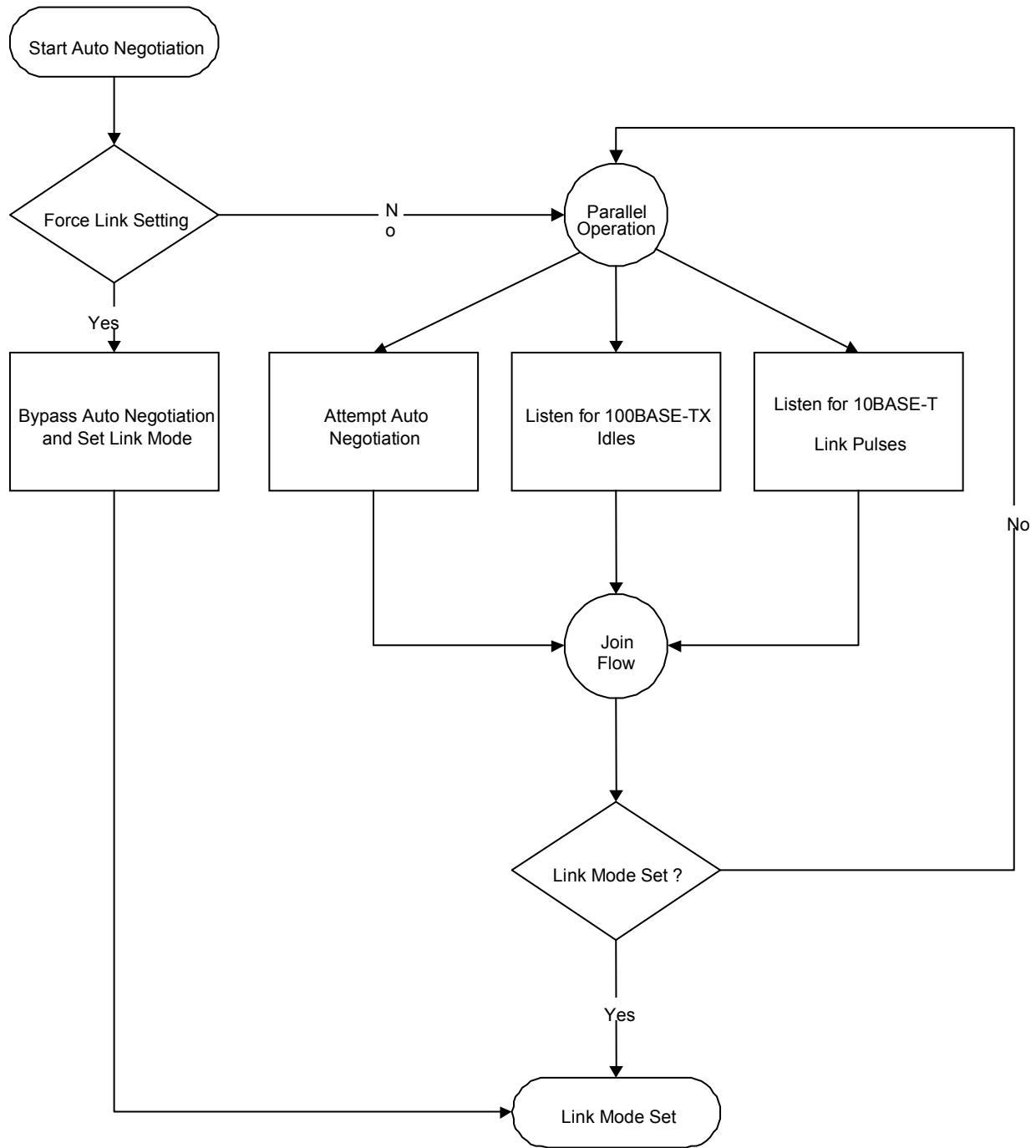


Figure 3. Auto-Negotiation

On-chip Termination Resistors

The KSZ8895MQ/RQ/FMQ reduces the board cost and simplifies the board layout by using on-chip termination resistors for all ports and RX/TX differential pairs without the external termination resistors. The combination of the on-chip termination and internal biasing will save about 500 to 1000mw in power consumption as compared to using external biasing and termination resistors, and the transformer will not consume power any more. The center tap of the transformer doesn't need to be tied to the analog power and does not tie the center taps together between RX and TX pairs for its application.

Internal 1.2V LDO Controller

The KSZ8895MQ/RQ/FMQ reduces board cost and simplifies board layout by integrating an internal 1.2V LDO controller to drive a low cost MOSFET to supply the 1.2V core power voltage for a single 3.3V power supply solution. The internal 1.2V LDO controller can be disabled by pin 126 IN_PWR_SEL pull-down in order to use an external 1.2V LDO.

Functional Overview: Power Management

The KSZ8895MQ/RQ/FMQ supports a full chip hardware power down mode. When the PWRDN pin 47 is internally activated low (pin PWRDN = 0), the entire chip is powered down. If this pin is de-asserted, the chip will be reset internally.

The KSZ8895MQ/RQ/FMQ can also use multiple power levels of 3.3V, 2.5V or 1.8V for VDDIO to support different I/O voltage.

The KSZ8895MQ/RQ/FMQ supports enhanced power management in a low power state, with energy detection to ensure low power dissipation during device idle periods. There are five operation modes under the power management function which are controlled by the Register 14 bit[4:3] and the Port Register Control 13 bit 3 as shown below:

Register 14 bit[4:3] = 00 Normal Operation Mode

Register 14 bit[4:3] = 01 Energy Detect Mode

Register 14 bit[4:3] = 10 Soft Power Down Mode

Register 14 bit[4:3] = 11 Power Saving Mode

The Port Register 29, 45, 61, 77, 93 Control 13 bit 3 = 1 are for the Port Based Power-Down Mode.

Table 2 indicates all internal function blocks' status under four different power management operation modes.

| KSZ8895MQ/RQ/FMQ Function Blocks | Power Management Operation Modes | | | |
|-------------------------------------|----------------------------------|---------------------------------|---------------------|----------------------|
| | Normal Mode | Power Saving Mode | Energy Detect Mode | Soft Power Down Mode |
| Internal PLL Clock | Enabled | Enabled | Disabled | Disabled |
| Tx/Rx PHY | Enabled | <i>Rx unused block disabled</i> | Energy detect at Rx | Disabled |
| MAC | Enabled | Enabled | Disabled | Disabled |
| Host Interface | Enabled | Enabled | Disabled | Disabled |

Table 2. Internal Function Block Status

Normal Operation Mode

This is the default setting bit[4:3] = 00 in register 14 after chip power-up or hardware reset. When KSZ8895MQ/RQ/FMQ is in normal operation mode, all PLL clocks are running, PHY and MAC are on, and the host interface is ready for CPU read or write.

During normal operation mode, the host CPU can set the bit[4:3] in register 14 to change the current normal operation mode to any one of the other three power management operation modes.

Energy Detect Mode

Energy detect mode provides a mechanism to save more power than in the normal operation mode when the KSZ8895MQ/FMQ port is not connected to an active link partner. In this mode, the device will save more power when the cables are unplugged. If the cable is not plugged in, the device can automatically enter a low power state—the energy detect mode. In this mode, the device will keep transmitting 120ns width pulses at 1 pulse/s rate. Once activity resumes due to plugging a cable in or attempting by the far end to establish link, the device can automatically power up to normal power state in energy detect mode.

Energy detect mode consists of two states, normal power state and low power state. While in low power state, the device reduces power consumption by disabling all circuitry except the energy detect circuitry of the receiver. The energy detect mode is entered by setting bit[4:3] = 01 in register 14. When the KSZ8895MQ/FMQ is in this mode, it will monitor the cable energy. If there is no energy on the cable for a time longer than the pre-configured value at bit [7:0] Go-Sleep time in register 15, KSZ8895MQ/FMQ will go into low power state. When KSZ8895MQ/FMQ is in low power state, it will keep monitoring the cable energy. Once the energy is detected from the cable, The device will enter normal power state. When the device is at normal power state, it is able to transmit or receive packet from the cable.

Soft Power Down Mode

The soft power down mode is entered by setting bit[4:3] = 10 in register 14. When KSZ8895MQ/RQ/FMQ is in this mode, all PLL clocks are disabled, also all of PHYs and the MACs are off. Any dummy host access will wake-up this device from current soft power down mode to normal operation mode and internal reset will be issued to make all internal registers go to the default values.

Power Saving Mode

The power saving mode is entered when auto-negotiation mode is enabled, the cable is disconnected, and by setting bit[4:3] = 11 in register 14. When KSZ8895MQ/RQ/FMQ is in this mode, all PLL clocks are enabled, MAC is on, all internal register values will not change, and the host interface is ready for CPU read or write. In this mode, it mainly controls the PHY transceiver on or off, based on line status to achieve power saving. The PHY continues to transmit, only turning off the unused receiver block. Once activity resumes, due to plugging a cable or attempting by the far end to establish link, the KSZ8895MQ/RQ/FMQ can automatically enable the PHY to power up to normal power state from power saving mode.

During power saving mode, the host CPU can set bit[4:3] in register 14 to change the current power saving mode to any one of the other three power management operation modes.

Port-based Power Down Mode

In addition, the KSZ8895MQ/RQ/FMQ features a per-port power down mode. To save power, a PHY port that is not in use can be powered down via the port registers control 13 bit 3, or MIIM PHY registers 0 bit 11.

Functional Overview: Switch Core

Address Look-Up

The internal look-up table stores MAC addresses and their associated information. It contains a 1K unicast address table plus switching information. The KSZ8895MQ/RQ/FMQ is guaranteed to learn 1K addresses and distinguishes itself from a hash-based look-up table, which, depending on the operating environment and probabilities, may not guarantee the absolute number of addresses it can learn.

Learning

The internal look-up engine updates its table with a new entry if the following conditions are met:

- The received packet's source address (SA) does not exist in the look-up table.
- The received packet is good; the packet has no receiving errors and is of legal length.

The look-up engine inserts the qualified SA into the table, along with the port number and time stamp. If the table is full, the last entry of the table is deleted first to make room for the new entry.

Migration

The internal look-up engine also monitors whether a station is moved. If this occurs, it updates the table accordingly. Migration happens when the following conditions are met:

- The received packet's SA is in the table but the associated source port information is different.
- The received packet is good; the packet has no receiving errors and is of legal length.

The look-up engine will update the existing record in the table with the new source port information.

Aging

The look-up engine will update the time stamp information of a record whenever the corresponding SA appears. The time stamp is used in the aging process. If a record is not updated for a period of time, the look-up engine will remove the record from the table. The look-up engine constantly performs the aging process and will continuously remove aging records. The aging period is 300 +/- 75 seconds. This feature can be enabled or disabled through Register 3 or by external pull-up or pull-down resistors on LED[5][2]. See "Register 3" section.

Forwarding

The KSZ8895MQ/RQ/FMQ will forward packets using an algorithm that is depicted in the following flowcharts. Figure 6 shows stage one of the forwarding algorithm where the search engine looks up the VLAN ID, static table, and dynamic table for the destination address, and comes up with "port to forward 1" (PTF1). PTF1 is then further modified by the spanning tree, IGMP snooping, port mirroring, and port VLAN processes to come up with "port to forward 2" (PTF2), as shown in Figure 7. This is where the packet will be sent.

KSZ8895MQ/RQ/FMQ will not forward the following packets:

- Error packets. These include framing errors, FCS errors, alignment errors, and illegal size packet errors.
- 802.3x pause frames. The KSZ8895MQ/RQ/FMQ will intercept these packets and perform the appropriate actions.
- "Local" packets. Based on destination address (DA) look-up. If the destination port from the look-up table matches the port where the packet was from, the packet is defined as "local."

Switching Engine

The KSZ8895MQ/RQ/FMQ features a high-performance switching engine to move data to and from the MAC's packet buffers. It operates in store and forward mode, while the efficient switching mechanism reduces overall latency. The KSZ8895MQ/RQ/FMQ has a 64kB internal frame buffer. This resource is shared between all five ports. There are a total of 512 buffers available. Each buffer is sized at 128B.

Media Access Controller (MAC) Operation

The KSZ8895MQ/RQ/FMQ strictly abides by IEEE 802.3 standards to maximize compatibility.

Inter-Packet Gap (IPG)

If a frame is successfully transmitted, the 96-bit time IPG is measured between the two consecutive MTXEN. If the current packet is experiencing collision, the 96-bit time IPG is measured from MCRS and the next MTXEN.

Backoff Algorithm

The KSZ8895MQ/RQ/FMQ implements the IEEE Standard 802.3 binary exponential backoff algorithm, and optional "aggressive mode" backoff. After 16 collisions, the packet will be optionally dropped, depending on the chip configuration in Register 3. See "Register 3."

Late Collision

If a transmit packet experiences collisions after 512-bit times of the transmission, the packet will be dropped.

Illegal Frames

The KSZ8895MQ/RQ/FMQ discards frames less than 64 bytes and can be programmed to accept frames up to 1536 bytes in Register 4. For special applications, the KSZ8895MQ/RQ/FMQ can also be programmed to accept frames up to 1916 bytes in Register 4. Since the KSZ8895MQ/RQ/FMQ supports VLAN tags, the maximum sizing is adjusted when these tags are present.

Flow Control

The KSZ8895MQ/RQ/FMQ supports standard 802.3x flow control frames on both transmit and receive sides.

On the receive side, if the KSZ8895MQ/RQ/FMQ receives a pause control frame, the KSZ8895MQ/RQ/FMQ will not transmit the next normal frame until the timer, specified in the pause control frame, expires. If another pause frame is received before the current timer expires, the timer will be updated with the new value in the second pause frame. During this period (being flow controlled), only flow control packets from the KSZ8895MQ/RQ/FMQ will be transmitted.

On the transmit side, the KSZ8895MQ/RQ/FMQ has intelligent and efficient ways to determine when to invoke flow control. The flow control is based on availability of the system resources, including available buffers, available transmit queues and available receive queues.

The KSZ8895MQ/RQ/FMQ flow controls a port that has just received a packet if the destination port resource is busy. The KSZ8895MQ/RQ/FMQ issues a flow control frame (XOFF), containing the maximum pause time defined in IEEE standard 802.3x. Once the resource is freed up, the KSZ8895MQ/RQ/FMQ sends out the other flow control frame (XON) with zero pause time to turn off the flow control (turn on transmission to the port). A hysteresis feature is also provided to prevent over-activation and deactivation of the flow control mechanism.

The KSZ8895MQ/RQ/FMQ flow controls all ports if the receive queue becomes full.

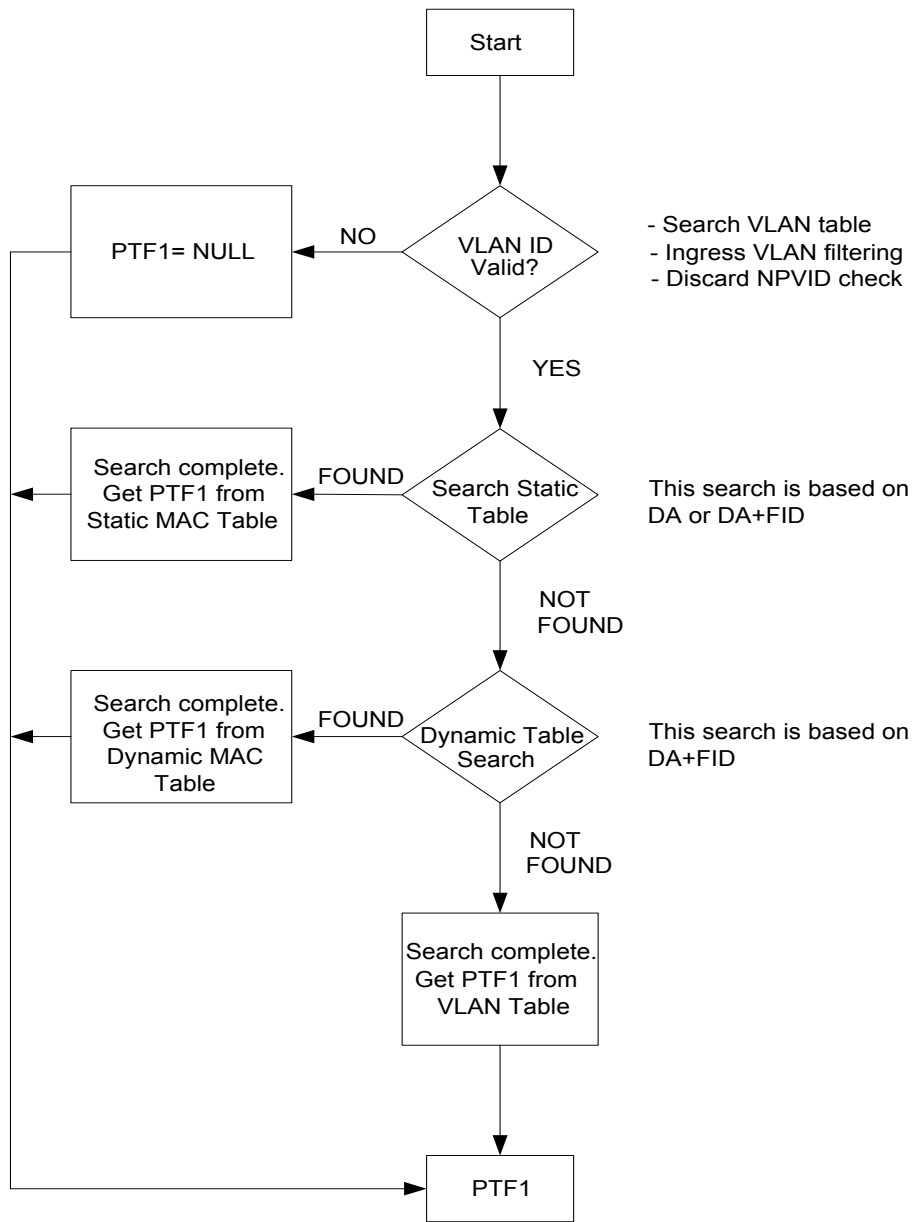


Figure 4. Destination Address Lookup Flow Chart, Stage 1

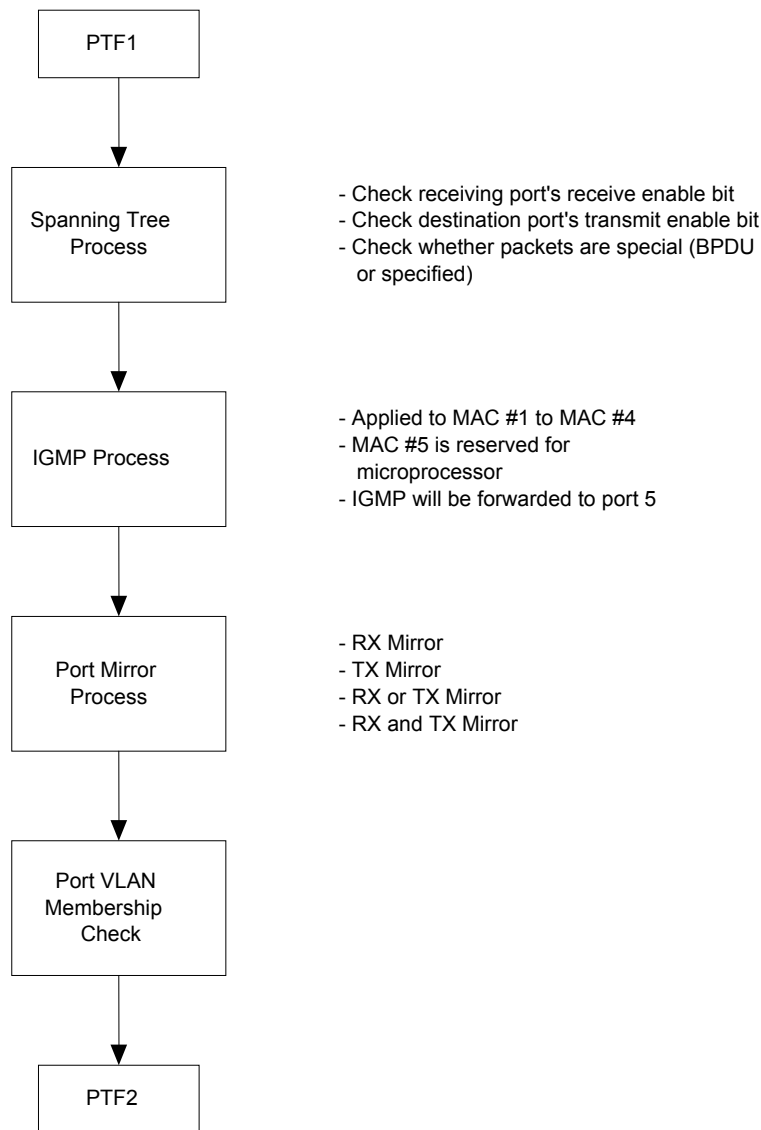


Figure 5. Destination Address Resolution Flow Chart, Stage 2

The KSZ8895MQ/RQ/FMQ will not forward the following packets:

1. Error packets

These include framing errors, Frame Check Sequence (FCS) errors, alignment errors, and illegal size packet errors.

2. IEEE802.3x PAUSE frames

KSZ8895MQ/RQ/FMQ intercepts these packets and performs full duplex flow control accordingly.

3. "Local" packets

Based on destination address (DA) lookup, if the destination port from the lookup table matches the port from which the packet originated, the packet is defined as "local."

Half-Duplex Back Pressure

The KSZ8895MQ/RQ/FMQ also provides a half-duplex back pressure option (note: this is not in IEEE 802.3 standards). The activation and deactivation conditions are the same as the ones given for full-duplex mode. If back pressure is required, the KSZ8895MQ/RQ/FMQ sends preambles to defer the other station's transmission (carrier sense deference). To avoid jabber and excessive deference as defined in IEEE 802.3 standards, after a certain period of time, the KSZ8895MQ/RQ/FMQ discontinues carrier sense but raises it quickly after it drops packets to inhibit other transmissions. This short silent time (no carrier sense) is to prevent other stations from sending out packets and keeps other stations in a carrier sense-deferred state. If the port has packets to send during a back pressure situation, the carrier sense-type back pressure is interrupted and those packets are transmitted instead. If there are no more packets to send, carrier sense-type back pressure becomes active again until switch resources are free. If a collision occurs, the binary exponential backoff algorithm is skipped and carrier sense is generated immediately, reducing the chance of further colliding and maintaining carrier sense to prevent reception of packets. To ensure no packet loss in 10BASE-T or 100BASE-TX half-duplex modes, the user must enable the following:

- Aggressive backoff (Register 3, bit 0)
- No excessive collision drop (Register 4, bit 3)
- Back pressure (Register 4, bit 5)

These bits are not set as the default because this is not the IEEE standard.

Broadcast Storm Protection

The KSZ8895MQ/RQ/FMQ has an intelligent option to protect the switch system from receiving too many broadcast packets. Broadcast packets are normally forwarded to all ports except the source port and thus use too many switch resources (bandwidth and available space in transmit queues). The KSZ8895MQ/RQ/FMQ has the option to include "multicast packets" for storm control. The broadcast storm rate parameters are programmed globally and can be enabled or disabled on a per port basis. The rate is based on a 50ms interval for 100BT and a 500ms interval for 10BT. At the beginning of each interval, the counter is cleared to zero and the rate limit mechanism starts to count the number of bytes during the interval. The rate definition is described in Registers 6 and 7. The default setting for Registers 6 and 7 is 0x4A (74 decimal). This is equal to a rate of 1%, calculated as follows:

$$148,800 \text{ frames/sec} \times 50\text{ms/interval} \times 1\% = 74 \text{ frames/interval (approx.)} = 0x4A$$

MII Interface Operation

The media-independent interface (MII) is specified by the IEEE 802.3 committee and provides a common interface between physical layer and MAC layer devices. The KSZ8895MQ/RQ/FMQ provides two such interfaces. The P5-MII interface is used to connect to the fifth PHY, where as the SW-MII interface is used to connect to the fifth MAC. Each of these MII interfaces contains two distinct groups of signals, one for transmission and the other for receiving.

Port 5 PHY 5 P5-MII/RMII Interface

The media independent interface (MII) is specified by the IEEE 802.3 committee and provides a common interface between the physical layer and MAC layer devices. The Reduced Media Independent Interface (RMII) specifies a low pin count MII. The KSZ8895MQ/RQ/FMQ provides two such interfaces for MAC5 and PHY5. The Port 5 PHY5 P5-MII/RMII interface is used to connect to the fifth PHY, where as the SW-MII/RMII interface is used to connect to the fifth MAC. The KSZ8895MQ/FMQ support P5-MII, the KSZ8895RQ supports P5-RMII. Each of these MII/RMII interfaces contains two distinct groups of signals, one for transmission and the other for receiving. Table 3 describes the signals used in the PHY[5] P5-MII/RMII interface. The P5-MII interface operates in PHY mode only.

| MII Signal | Description | KSZ8895MQ/FMQ P5-MII | KSZ8895MQ/FMQ MII Signal Type | KSZ8895RQ P5-RMII | KSZ8895RQ RMII Signal Type |
|------------|---------------------|----------------------|-------------------------------|-------------------|----------------------------|
| MTXEN | Transmit enable | PMTXEN | I | PMTXEN | I |
| MTXER | Transmit error | PMTXER | I | | |
| MTXD3 | Transmit data bit 3 | PMTXD[3] | I | | |
| MTXD2 | Transmit data bit 2 | PMTXD[2] | I | | |
| MTXD1 | Transmit data bit 1 | PMTXD[1] | I | PMTXD[1] | I |
| MTXD0 | Transmit data bit 0 | PMTXD[0] | I | PMTXD[0] | I |
| MTXC | Transmit clock | PMTXC | O | PMREFCLK/PMTXC | I |
| MCOL | Collision detection | PCOL | O | | |
| MCRS | Carrier sense | PCRS | O | | |
| MRXDV | Receive data valid | PMRXDV | O | PMRXDV | O |
| MRXER | Receive error | PMRXER | O | PMRXER | O |
| MRXD3 | Receive data bit 3 | PMRXD[3] | O | | |
| MRXD2 | Receive data bit 2 | PMRXD[2] | O | | |
| MRXD1 | Receive data bit 1 | PMRXD[1] | O | PMRXD[1] | O |
| MRXD0 | Receive data bit 0 | PMRXD[0] | O | PMRXD[0] | O |
| MRXC | Receive clock | PMRXC | O | PMRXC | O |

Table 3. Port 5 PHY P5-MII/RMII Signals

Port 5 MAC 5 SW5-MII Interface for the KSZ8895MQ/FMQ

Table 4 shows two connection manners:

1. The first is an external MAC connects to SW5-MII PHY mode.
2. The second is an external PHY connects to SW5-MII MAC mode.

Please see the pin [91,86,87] descriptions for configuration details for the MAC mode and PHY mode. SW5-MII works with 25MHz clock for 100Base-TX, SW5-MII works with 2.5MHz clock for 10Base-T.

| KSZ8895MQ/RQ/FMQ PHY Mode Connection | | | | KSZ8895MQ/RQ/FMQ MAC Mode Connection | | |
|--------------------------------------|----------------------------------|--------|---------------------|--------------------------------------|----------------------------------|----------|
| External MAC | KSZ8895MQ/RQ/FMQ SW5-MII Signals | Type | Description | External PHY | KSZ8895MQ/RQ/FMQ SW5-MII Signals | Type |
| MTXEN | SMTXEN | Input | Transmit enable | MTXEN | SMRXDV | Output |
| MTXER | SMTXER | Input | Transmit error | MTXER | Not used | Not used |
| MTXD3 | SMTXD[3] | Input | Transmit data bit 3 | MTXD3 | SMRXD[3] | Output |
| MTXD2 | SMTXD[2] | Input | Transmit data bit 2 | MTXD2 | SMRXD[2] | Output |
| MTXD1 | SMTXD[1] | Input | Transmit data bit 1 | MTXD1 | SMRXD[1] | Output |
| MTXD0 | SMTXD[0] | Input | Transmit data bit 0 | MTXD0 | SMRXD[0] | Output |
| MTXC | SMTXC | Output | Transmit clock | MTXC | SMRXC | Input |
| MCOL | SCOL | Output | Collision detection | MCOL | SCOL | Input |
| MCRS | SCRS | Output | Carrier sense | MCRS | SCRS | Input |
| MRXDV | SMRXDV | Output | Receive data valid | MRXDV | SMTXEN | Input |
| MRXER | Not used | Output | Receive error | MRXER | SMTXER | Input |
| MRXD3 | SMRXD[3] | Output | Receive data bit 3 | MRXD3 | SMTXD[3] | Input |
| MRXD2 | SMRXD[2] | Output | Receive data bit 2 | MRXD2 | SMTXD[2] | Input |
| MRXD1 | SMRXD[1] | Output | Receive data bit 1 | MRXD1 | SMTXD[1] | Input |
| MRXD0 | SMRXD[0] | Output | Receive data bit 0 | MRXD0 | SMTXD[0] | Input |
| MRXC | SMRXC | Output | Receive clock | MRXC | SMTXC | Input |

Table 4. Switch MAC5 MII Signals

The switch MII interface operates in either MAC mode or PHY mode for KSZ8895MQ/RQ/FMQ. These interfaces are nibble-wide data interfaces, so they run at one-quarter the network bit rate (not encoded). Additional signals on the transmit side indicate when data is valid or when an error occurs during transmission. Likewise, the receive side has indicators that convey when the data is valid and without physical layer errors. For half-duplex operation, there is a signal that indicates a collision has occurred during transmission.

Note that the signal MRXER is not provided on the MII-SW interface for PHY mode operation and the signal MTXER is not provided on the SW-MII interface for MAC mode operation. Normally MRXER would indicate a receive error coming from the physical layer device. MTXER would indicate a transmit error from the MAC device. These signals are not appropriate for this configuration. For PHY mode operation with an external MAC, if the device interfacing with the KSZ8895MQ/RQ/FMQ has an MRXER pin, it should be tied low. For MAC mode operation with an external PHY, if the device interfacing with the KSZ8895MQ/RQ/FMQ has an MTXER pin, it should be tied low.

Port 5 MAC 5 Switch SW5-RMII Interface for the KSZ8895RQ

The Reduced Media Independent Interface (RMII) specifies a low pin count Media Independent Interface (MII). The KSZ8895RQ supports RMII interface at Port 5 switch side and provides a common interface at MAC5 layer in the device, and has the following key characteristics:

- Supports 10Mbps and 100Mbps data rates.
- Uses a single 50 MHz clock reference (provided internally or externally): in internal mode, the chip provides a reference clock from the SMRXC pin to the SMTXC pin and provides the clock to the opposite clock input pin for RMII interface. In external mode, the chip receives 50MHz reference clock from an external oscillator or opposite RMII interface.
- Provides independent 2-bit wide (bi-bit) transmit and receive data paths.

KSZ8895RQ supports MAC5 RMII interfaces at the switch side:

- For the detail of SW5-RMII (Port 5 MAC5 RMII) signals connection see the table below:
- The KSZ8895RQ can provide a 50MHz reference clock for both MAC to MAC and MAC to PHY RMII interfaces when SW5-RMII is used in the clock mode of the device (default with strap pin LED2_2 internal pull-up for the clock mode).
- The KSZ8895RQ can also receive a 50MHz reference clock from an external 50MHz clock source or opposite RMII to SW5-RMII SMTXC pin when the device is set to normal mode (the strap pin LED2_2 is pulled down).

When the device is strapped to normal mode by pin LED2_2 pull-down, the reference clock comes from SMTXC which will be used as the device's clock source. The external 25MHz crystal clock from pins X1/X2 will be ignored.

Note: In normal mode, the 50MHz clock from SMTXC will be used as the clock source for whole device. The PHY5 PMTXC/PMREFCLK pin can not be used as the clock source for whole device. The pin of PMTXC/PMREFCLK can receive the 50MHz clock from PMRXC when the device is strapped to normal mode and an external 50MHz reference clock comes in from pin SMTXC. In normal mode, the 50MHz clock on pin SMRXC can be disabled by register, and the PMRXC 50MHz clock can be used when P5-RMII interface is used.

There is a register 12 bit 6 to monitor the status of the device for the clock mode or normal mode.

When using an external 50MHz clock source as RMII reference clock, the KSZ8895RQ should be set to normal mode by pulling down its LED2_2 strap-in pin first before power up reset or warm reset. The normal mode of the KSZ8895RQ device will start to work when it gets the 50MHz reference clock from pin SMTXC/SMREFCLK from an external 50MHz clock source. For the RMII connection examples, please refer to app note in the design kit.

| SW5-RMII MAC to MAC Connection (‘PHY mode’) | | | | SW5-RMII MAC to PHY Connection (‘MAC mode’) | | |
|------------------------------------------------|-----------------------|-------------------------------------------------------------------------------|----------------------------------|------------------------------------------------|-----------------------|-------------------------------------------------------------------------------|
| External MAC | KSZ8895RQ SW5-RMII | KSZ8895RQ SW Signal Type | Description | External PHY | KSZ8895RQ SW5-RMII | KSZ8895RQ SW Signal Type |
| REF_CLK | SMRXC | Output (clock mode with 50MHz) (Normal mode without connection) | Reference Clock | ----- | SMTXC/SM REFCLK | Input (clock comes from SMRXC in clock mode or external clock in normal mode) |
| CRS_DV | SMRXDV /SMCRSDV | Output | Carrier sense/Receive data valid | CRS_DV | SMTXEN | Input |
| RXD1 | SMRXD[1] | Output | Receive data bit 1 | RXD1 | SMTXD[1] | Input |
| RXD0 | SMRXD[0] | Output | Receive data bit 0 | RXD0 | SMTXD[0] | Input |
| TX_EN | SMTXEN | Input | Transmit data enable | TX_EN | SMRXDV /SMCRSDV | Output |
| TXD1 | SMTXD[1] | Input | Transmit data bit 1 | TXD1 | SMRXD[1] | Output |
| TXD0 | SMTXD[0] | Input | Transmit data bit 0 | TXD0 | SMRXD[0] | Output |
| (not used) | (not used) | | Receive error | (not used) | (not used) | |
| --- | SMTXC/SM REFCLK | Input (clock comes from SMRXC in clock mode or external clock in normal mode) | Reference Clock | REF_CLK | SMRXC | Output (clock mode with 50MHz) (Normal mode without connection) |

Note:

1. MAC/PHY mode in RMII is difference with MAC/PHY mode in MII, there is no strap pin and register configuration request in RMII, just follow the signals connection in the table.

Table 5. Port 5 MAC5 SW5-RMII Connection

SNI Interface Operation

The serial network interface (SNI) is compatible with some controllers used for network layer protocol processing. This interface can be directly connected to these types of devices. The signals are divided into two groups, one for transmission and the other for reception. The signals involved are described in Table 6.

| SNI Signal | Description | KSZ8895MQ/RQ/FMQ Signal |
|------------|----------------------|-------------------------|
| TXEN | Transmit Enable | SMTXEN |
| TXD | Serial Transmit Data | SMTXD[0] |
| TXC | Transmit Clock | SMTXC |
| COL | Collision Detection | SCOL |
| CRS | Carrier Sense | SMRXDV |
| RXD | Serial Receive Data | SMRXD[0] |
| RXC | Receive Clock | SMRXC |

Table 6. SNI Signals

This interface is a bit-wide data interface, so it runs at the network bit rate (not encoded). An additional signal on the transmit side indicates when data is valid. Likewise, the receive side has an indicator that shows when the data is valid.

For half-duplex operation there is a signal that indicates a collision has occurred during transmission.

Advanced Functionality

QoS Priority Support

The KSZ8895MQ/RQ/FMQ provides Quality of Service (QoS) for applications such as VoIP and video conferencing. The KSZ8895MQ/RQ/FMQ offers one, two, or four priority queues per port by setting the port registers xxx control 9 bit 1 and the port registers xxx control 0 bit 0, the 1/2/4 queues split as follows,

[Port registers xxx control 9 bit 1, control 0 bit 0] = 00 single output queue as default.

[Port registers xxx control 9 bit 1, control 0 bit 0] = 01 egress port can be split into two priority transmit queues.

[Port registers xxx control 9 bit 1, control 0 bit 0] = 10 egress port can be split into four priority transmit queues.

The four priority transmit queue is a new feature in the KSZ8895MQ/RQ/FMQ. The queue 3 is the highest priority queue and queue 0 is the lowest priority queue. The port registers xxx control 9 bit 1 and the port registers xxx control 0 bit 0 are used to enable split transmit queues for ports 1, 2, 3, 4 and 5, respectively. If a port's transmit queue is not split, high priority and low priority packets have equal priority in the transmit queue.

There is an additional option to either always deliver high priority packets first or to use programmable weighted fair queuing for the four priority queue scale by the port registers control 10, 11, 12 and 13 (default value are 8, 4, 2, 1 by their bit[6:0]).

Register 130 bit[7:6] Prio_2Q[1:0] is used when the 2 Queue configuration is selected, these bits are used to map the 2-bit result of IEEE 802.1p from the registers 128, 129 or TOS/DiffServ mapping from registers 144-159 (for 4 Queues) into two-queue mode with priority high or low.

Please see the descriptions of the register 130 bits [7:6] for detail.

Port-Based Priority

With port-based priority, each ingress port is individually classified as a priority 0-3 receiving port. All packets received at the priority 3 receiving port are marked as high priority and are sent to the high-priority transmit queue if the corresponding transmit queue is split. The Port Registers Control 0 Bits[4:3] is used to enable port-based priority for ports 1, 2, 3, 4 and 5, respectively.

802.1p-Based Priority

For 802.1p-based priority, the KSZ8895MQ/RQ/FMQ examines the ingress (incoming) packets to determine whether they are tagged. If tagged, the 3-bit priority field in the VLAN tag is retrieved and compared against the "priority mapping" value, as specified by the registers 128 and 129, both register 128/129 can map 3-bit priority field of 0-7 value to 2-bit result of 0-3 priority levels. The "priority mapping" value is programmable.

The following figure illustrates how the 802.1p priority field is embedded in the 802.1Q VLAN tag.

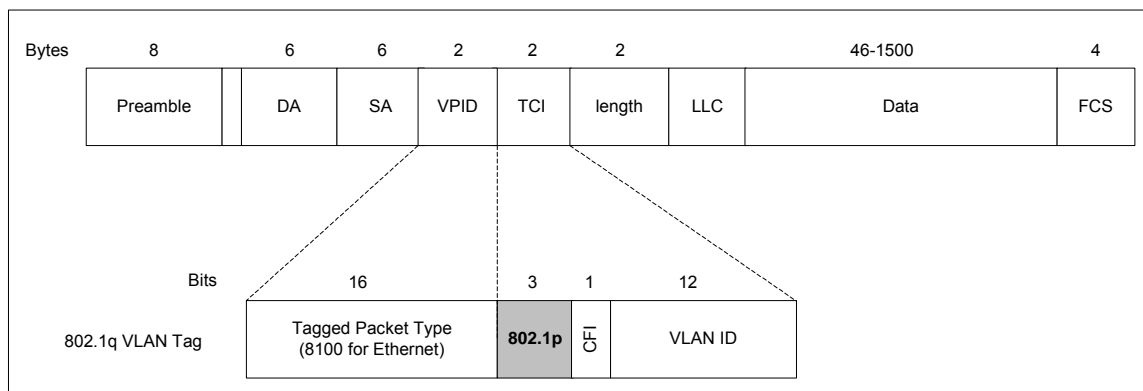


Figure 6. 802.1p Priority Field Format

802.1p-based priority is enabled by bit[5] of the port registers control 0 for ports 1, 2, 3, 4 and 5, respectively.

The KSZ8895MQ/RQ/FMQ provides the option to insert or remove the priority tagged frame's header at each individual egress port. This header, consisting of the two-byte VLAN Protocol ID (VPI) and the two-byte Tag Control Information field (TCI), is also referred to as the IEEE 802.1Q VLAN tag.

Tag Insertion is enabled by bit[2] of the port registers control 0 and the port register control 8 to select which source port (ingress port) PVID can be inserted on the egress port for ports 1, 2, 3, 4 and 5, respectively. At the egress port, untagged packets are tagged with the ingress port's default tag. The default tags are programmed in the port registers control 3 and control 4 for ports 1, 2, 3, 4 and 5, respectively. The KSZ8895MQ/RQ/FMQ will not add tags to already tagged packets.

Tag Removal is enabled by bit[1] of the port registers control 0 for ports 1, 2, 3, 4 and 5, respectively. At the egress port, tagged packets will have their 802.1Q VLAN tags removed. The KSZ8895MQ/RQ/FMQ will not modify untagged packets.

The CRC is recalculated for both tag insertion and tag removal.

802.1p Priority Field Re-mapping is a QoS feature that allows the KSZ8895MQ/RQ/FMQ to set the "User Priority Ceiling" at any ingress port by the port register control 2 bit 7. If the ingress packet's priority field has a higher priority value than the default tag's priority field of the ingress port, the packet's priority field is replaced with the default tag's priority field.

DiffServ-Based Priority

DiffServ-based priority uses the ToS registers (registers 144 to 159) in the Advanced Control Registers section. The ToS priority control registers implement a fully decoded, 128-bit Differentiated Services Code Point (DSCP) register to determine packet priority from the 6-bit ToS field in the IP header. When the most significant six bits of the ToS field are fully decoded, 64 code points for DSCP result. These are compared with the corresponding bits in the DSCP register to determine priority.

Spanning Tree Support

Port 5 is the designated port for spanning tree support.

The other ports (Port 1 - Port 4) can be configured in one of the five spanning tree states via "transmit enable," "receive enable," and "learning disable" register settings in Registers 18, 34, 50, and 66 for Ports 1, 2, 3, and 4, respectively. The following description shows the port setting and software actions taken for each of the five spanning tree states.

Disable state: the port should not forward or receive any packets. Learning is disabled.

Port setting: "transmit enable = 0, receive enable = 0, learning disable = 1."

Software action: the processor should not send any packets to the port. The switch may still send specific packets to the processor (packets that match some entries in the static table with "overriding bit" set) and the processor should discard those packets. Note: the processor is connected to Port 5 via MII interface. Address learning is disabled on the port in this state.

Blocking state: only packets to the processor are forwarded. Learning is disabled.

Port setting: "transmit enable = 0, receive enable = 0, learning disable = 1"

Software action: the processor should not send any packets to the port(s) in this state. The processor should program the "Static MAC table" with the entries that it needs to receive (e.g., BPDU packets). The "overriding" bit should also be set so that the switch will forward those specific packets to the processor. Address learning is disabled on the port in this state.

Listening state: only packets to and from the processor are forwarded. Learning is disabled.

Port setting: "transmit enable = 0, receive enable = 0, learning disable = 1."

Software action: The processor should program the static MAC table with the entries that it needs to receive (e.g., BPDU packets). The "overriding" bit should be set so that the switch will forward those specific packets to the processor. The processor may send packets to the port(s) in this state, see "Tail Tagging Mode" section for details. Address learning is disabled on the port in this state.

Learning state: only packets to and from the processor are forwarded. Learning is enabled.

Port setting: "transmit enable = 0, receive enable = 0, learning disable = 0."

Software action: The processor should program the static MAC table with the entries that it needs to receive (e.g.,

BPDUs). The “overriding” bit should be set so that the switch will forward those specific packets to the processor. The processor may send packets to the port(s) in this state, see “Tail Tagging Mode” section for details. Address learning is enabled on the port in this state.

Forwarding state: packets are forwarded and received normally. Learning is enabled.

Port setting: “transmit enable = 1, receive enable = 1, learning disable = 0.”

Software action: The processor should program the static MAC table with the entries that it needs to receive (e.g., BPDUs). The “overriding” bit should be set so that the switch will forward those specific packets to the processor. The processor may send packets to the port(s) in this state, see “Tail Tagging Mode” section for details. Address learning is enabled on the port in this state.

Rapid Spanning Tree Support

There are three operational states of Discarding, Learning, and Forwarding assigned to each port for RSTP:

Discarding ports do not participate in the active topology and do not learn MAC addresses.

Discarding state: the state includes three states of the disable, blocking and listening of STP.

Port setting: “transmit enable = 0, receive enable = 0, learning disable = 1.”

Software action: the processor should not send any packets to the port. The switch may still send specific packets to the processor (packets that match some entries in the static table with “overriding bit” set) and the processor should discard those packets. When disabling the port’s learning capability (learning disable = ‘1’), set the register 1 bit 5 and bit 4 will flush rapidly with the port related entries in the dynamic MAC table and static MAC table.

Note: the processor is connected to Port 5 via MII interface. Address learning is disabled on the port in this state.

Ports in Learning states learn MAC addresses, but do not forward user traffic.

Learning state: only packets to and from the processor are forwarded. Learning is enabled.

Port setting: “transmit enable = 0, receive enable = 0, learning disable = 0.”

Software action: The processor should program the static MAC table with the entries that it needs to receive (e.g., BPDUs). The “overriding” bit should be set so that the switch will forward those specific packets to the processor. The processor may send packets to the port(s) in this state, see “Tail Tagging Mode” section for details. Address learning is enabled on the port in this state.

Ports in Forwarding states fully participate in both data forwarding and MAC learning.

Forwarding state: packets are forwarded and received normally. Learning is enabled.

Port setting: “transmit enable = 1, receive enable = 1, learning disable = 0.”

Software action: The processor should program the static MAC table with the entries that it needs to receive (e.g., BPDUs). The “overriding” bit should be set so that the switch will forward those specific packets to the processor. The processor may send packets to the port(s) in this state, see “Tail Tagging Mode” section for details. Address learning is enabled on the port in this state.

RSTP uses only one type of BPDU called RSTP BPDUs. They are similar to STP Configuration BPDUs with the exception of a type field set to “version 2” for RSTP and “version 0” for STP, and a flag field carrying additional information.

Tail Tagging Mode

The Tail Tag is only seen and used by the Port 5 interface, which should be connected to a processor by SW5-MII interface. The one byte tail tagging is used to indicate the source/destination port in Port 5. Only bit [3-0] are used for the destination in the tail tagging byte. Other bits are not used. The Tail Tag feature is enabled by setting register 12 bit 1.

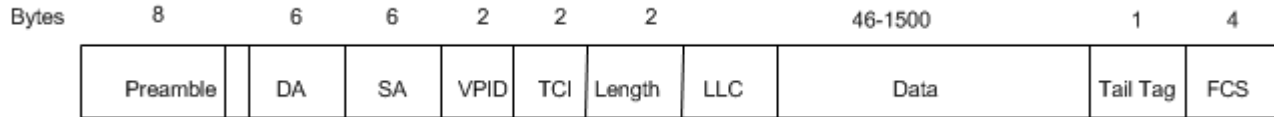


Figure 7. Tail Tag Frame Format

| Ingress to Port 5 (Host --> KSZ8895MQ/RQ/FMQ) | |
|----------------------------------------------------------|-----------------------------------------------------|
| Bit [3:0] | Destination |
| 0,0,0,0 | Normal (Address Look up for destination) |
| 0,0,0,1 | Port 1 (direct forward to Port1) |
| 0,0,1,0 | Port 2 (direct forward to Port2) |
| 0,1,0,0 | Port 3 (direct forward to Port3) |
| 1,0,0,0 | Port 4 (direct forward to Port4) |
| 1,1,1,1 | Port 1, 2,3 and 4 (direct forward to Port 1,2,3,4,) |
| Bit[7:4] | |
| 0,0,0,0 | Queue 0 is used at destination port |
| 0,0,0,1 | Queue 1 is used at destination port |
| 0,0,1,0 | Queue 2 is used at destination port |
| 0,0,1,1 | Queue 3 is used at destination port |
| x, 1,x,x | Whatever send packets to specified port in bit[3:0] |
| 1, x,x,x | Bit[6:0] will be ignored |
| Egress from Port 5 (KSZ8895MQ/RQ/FMQ --> Host) | |
| Bit [1:0] | Source |
| 0,0 | Port 1 (packets from Port 1) |
| 0,1 | Port 2 (packets from Port 2) |
| 1,0 | Port 3 (packets from Port 3) |
| 1,1 | Port 4 (packets from Port 4) |

Table 7. Tail Tag Rules

IGMP Support

For Internet Group Management Protocol (IGMP) support in Layer 2, the KSZ8895MQ/RQ/FMQ provides two components:

IGMP Snooping

The KSZ8895MQ/RQ/FMQ traps IGMP packets and forwards them only to the processor (Port 5 SW5-MII). The IGMP packets are identified as IP packets (either Ethernet IP packets, or IEEE 802.3 SNAP IP packets) with IP version = 0x4 and protocol version number = 0x2.

Multicast Address Insertion in the Static MAC Table

Once the multicast address is programmed in the Static MAC Table, the multicast session is trimmed to the subscribed ports, instead of broadcasting to all ports.

To enable IGMP support, set register 5 bit[6] to '1'. Also, "Tail tag mode" needs to be enabled, so that the processor knows which port the IGMP packet was received on. Enable "Tail tag mode" by setting Register 12 bit 0.

Port Mirroring Support

The KSZ8895MQ/RQ/FMQ supports "port mirror" comprehensively as:

"Receive Only" mirror on a port

All the packets received on the port will be mirrored on the sniffer port. For example, Port 1 is programmed to be "rx sniff," and Port 5 is programmed to be the "sniffer port." A packet, received on Port 1, is destined to Port 4 after the internal look-up. The KSZ8895MQ/RQ/FMQ will forward the packet to both Port 4 and Port 5. KSZ8895MQ/RQ/FMQ can optionally forward even "bad" received packets to Port 5.

"Transmit Only" mirror on a port

All the packets transmitted on the port will be mirrored on the sniffer port. For example, Port 1 is programmed to be "tx sniff," and Port 5 is programmed to be the "sniffer port." A packet, received on any of the ports, is destined to Port 1 after the internal look-up. The KSZ8895MQ/RQ/FMQ will forward the packet to both Ports 1 and 5.

"Receive and Transmit" mirror on two ports.

All the packets received on port A AND transmitted on port B will be mirrored on the sniffer port. To turn on the "AND" feature, set Register 5 bit 0 to 1. For example, Port 1 is programmed to be "rx sniff," Port 2 is programmed to be "transmit sniff," and Port 5 is programmed to be the "sniffer port." A packet, received on Port 1, is destined to Port 4 after the internal look-up. The KSZ8895MQ/RQ/FMQ will forward the packet to Port 4 only, since it does not meet the "AND" condition. A packet, received on Port 1, is destined to Port 2 after the internal look-up. The KSZ8895MQ/RQ/FMQ will forward the packet to both Port 2 and Port 5.

Multiple ports can be selected to be "rx sniffed" or "tx sniffed." And any port can be selected to be the "sniffer port." All these per port features can be selected through Register 17.

VLAN Support

The KSZ8895MQ/RQ/FMQ supports 128 active VLANs and 4096 possible VIDs specified in IEEE 802.1q. KSZ8895MQ/RQ/FMQ provides a 128-entry VLAN table, which correspond to 4096 possible VIDs and converts to FID (7 bits) for address look-up max 128 active VLANs. If a non-tagged or null-VID-tagged packet is received, then the ingress port VID is used for look-up when 802.1q is enabled by the global register 5 control 3 bit 7. In the VLAN mode, the look-up process starts from VLAN table look-up to determine whether the VID is valid. If the VID is not valid, the packet will then be dropped and its address will not be learned. If the VID is valid, FID is retrieved for further look-up by the static MAC table or dynamic MAC table. FID+DA is used to determine the destination port. The following table describes the different actions in different situations of DA and FID+DA in the static MAC table and dynamic MAC table after the VLAN table finish a look-up action. FID+SA is used for learning purposes. The following table also describes learning in the dynamic MAC table when the VLAN table has done a look-up in the static MAC table without a valid entry.

| DA found in Static MAC table | USE FID Flag? | FID Match? | DA+FID found in Dynamic MAC table | Action |
|------------------------------|---------------|------------|-----------------------------------|-----------------------------------------------------------------------------|
| No | Don't care | Don't care | No | Broadcast to the membership ports defined in the VLAN table bit[11:7]. |
| No | Don't care | Don't care | Yes | Send to the destination port defined in the dynamic MAC table bit[57:55]. |
| Yes | 0 | Don't care | Don't care | Send to the destination port(s) defined in the static MAC table bit[52:48]. |
| Yes | 1 | No | No | Broadcast to the membership ports defined in the VLAN table bit[11:7]. |
| Yes | 1 | No | Yes | Send to the destination port defined in the dynamic MAC table bit[57:55]. |
| Yes | 1 | Yes | Don't care | Send to the destination port(s) defined in the static MAC table bit[52:48]. |

Table 8. FID+DA Look-Up in the VLAN Mode

| SA+FID found in Dynamic MAC table | Action |
|-----------------------------------|----------------------------------------------------|
| No | The SA+FID will be learned into the dynamic table. |
| Yes | Time stamp will be updated. |

Table 9. FID+SA Look-Up in the VLAN Mode

Advanced VLAN features are also supported in KSZ8895MQ/RQ/FMQ, such as “VLAN ingress filtering” and “discard non PVID” defined in bits [6:5] of the port Register Control 2. These features can be controlled on a port basis.

Rate Limiting Support

The KSZ8895MQ/RQ/FMQ provides a fine resolution hardware rate limiting. The rate step is 64Kbps when the rate limit is less than 1Mbps rate for 100BT or 10BT. The rate step is 1Mbps when the rate limit is more than 1Mbps rate for 100BT or 10BT (refer to Data Rate Selection Table which follow the end of the Port Register Queue 0-3 Ingress/Egress Limit Control section). The rate limit is independently on the “receive side” and on the “transmit side” on a per port basis. For 10BASE-T, a rate setting above 10 Mbps means the rate is not limited. On the receive side, the data receive rate for each priority at each port can be limited by setting up Ingress Rate Control Registers. On the transmit side, the data transmit rate for each priority queue at each port can be limited by setting up Egress Rate Control Registers. The size of each frame has options to include minimum IFG (Inter Frame Gap) or Preamble byte, in addition to the data field (from packet DA to FCS).

Ingress Rate Limit

For ingress rate limiting, KSZ8895MQ/RQ/FMQ provides options to selectively choose frames from all types, multicast, broadcast, and flooded unicast frames by bits [3-2] of the port rate limit control register. The KSZ8895MQ/RQ/FMQ counts the data rate from those selected type of frames. Packets are dropped at the ingress port when the data rate exceeds the specified rate limit or the flow control takes effect without packet dropped when the ingress rate limit flow control is enabled by the port rate limit control register bit 4. The ingress rate limiting supports the port-based, 802.1p and DiffServ-based priorities, the port-based priority is fixed priority 0-3 selection by bits[4-3] of the port register control 0. The 802.1p and DiffServ-based priority can be mapped to priority 0-3 by default of the register 128 and 129. In the ingress rate limit, set register 135 global control 19 bit 3 to enable queue-based rate limit if using two-queue or four-queue mode. All related ingress ports and egress port should be split to two-queue or four-queue mode by the port registers control 9 and control 0. The four-queue mode will use Q0-Q3 for priority 0-3 by bit[6-0] of the port register ingress limit control 1-4. The two-queue mode will use Q0-Q1 for priority 0-1 by bit[6-0] of the port register ingress limit control 1-2. The priority levels in the packets of the 802.1p and DiffServ can be programmed to priority 0-3 by the register 128 and 129 for a re-mapping.

Egress Rate Limit

For egress rate limiting, the Leaky Bucket algorithm is applied to each output priority queue for shaping output traffic. Interframe gap is stretched on a per frame base to generate smooth, non-burst egress traffic. The throughput of each output priority queue is limited by the egress rate specified by the data rate selection table followed the egress rate limit control registers.

If any egress queue receives more traffic than the specified egress rate throughput, packets may be accumulated in the output queue and packet memory. After the memory of the queue or the port is used up, packet dropping or flow control will be triggered. As a result of congestion, the actual egress rate may be dominated by flow control/dropping at the ingress end, and may be therefore slightly less than the specified egress rate. The egress rate limiting supports the port-based, 802.1p and DiffServ-based priorities, the port-based priority is fixed priority 0-3 selection by bits[4-3] of the port register control 0. The 802.1p and DiffServ-based priority can be mapped to priority 0-3 by default of the register 128 and 129. In the egress rate limit, set register 135 global control 19 bit 3 for queue-based rate limit to be enabled if using two-queue or four-queue mode. All related ingress ports and egress port should be split to two-queue or four-queue mode by the port registers control 9 and control 0. The four-queue mode will use Q0-Q3 for priority 0-3 by bit[6-0] of the port register egress limit control 1-4. The two-queue mode will use Q0-Q1 for priority 0-1 by bit[6-0] of the port register egress limit control 1-2. The priority levels in the packets of the 802.1p and DiffServ can be programmed to priority 0-3 by the register 128 and 129 for a re-mapping.

When the egress rate is limited, just use one queue per port for the egress port rate limit. The priority packets will be based upon the data rate selection table (see Tables 13 and 14). If the egress rate limit uses more than one queue per port for the egress port rate limit, then the highest priority packets will be based upon the data rate selection table for the rate limit exact number. Other lower priority packet rates will be limited based upon 8:4:2:1 (default) priority ratio, which is based on the highest priority rate. The transmit queue priority ratio is programmable.

To reduce congestion, it is good practice to make sure the egress bandwidth exceeds the ingress bandwidth.

Transmit Queue Ratio Programming

In transmit queues 0-3 of the egress port, the default priority ratio is 8:4:2:1. The priority ratio can be programmed by the port registers control 10, 11, 12 and 13. When the transmit rate exceeds the ratio limit in the transmit queue, the transmit rate will be limited by the transmit queue 0-3 ratio of the port register control 10, 11, 12 and 13. The highest priority queue will not be limited. Other lower priority queues will be limited based on the transmit queue ratio.

Filtering for Self-Address, Unknown Unicast/Multicast Address and Unknown VID Packet/IP Multicast

Enable Self-address filtering, the unknown unicast packet filtering and forwarding by the Register 131 Global Control 15. Enable Unknown multicast packet filtering and forwarding by the Register 132 Global Control 16.

Enable Unknown VID packet filtering and forwarding by the Register 133 Global Control 17.

Enable Unknown IP multicast packet filtering and forwarding by the Register 134 Global Control 18.

This function is very useful in preventing packets that could degrade the quality of the port in applications such as voice over Internet Protocol (VoIP) and the daisy chain connection.

Configuration Interface

I²C Master Serial Bus Configuration

If a 2-wire EEPROM exists, then the KSZ8895MQ/RQ/FMQ can perform more advanced features like broadcast storm protection and rate control. The EEPROM should have the entire valid configuration data from Register 0 to Register 255 defined in the "Memory Map," except the chipID = 0 in the register1 and the status registers. After reset, the KSZ8895MQ/RQ/FMQ will start to read all 255 registers sequentially from the EEPROM. The configuration access time (t_{prgm}) is less than 30ms, as shown in Figure 12.

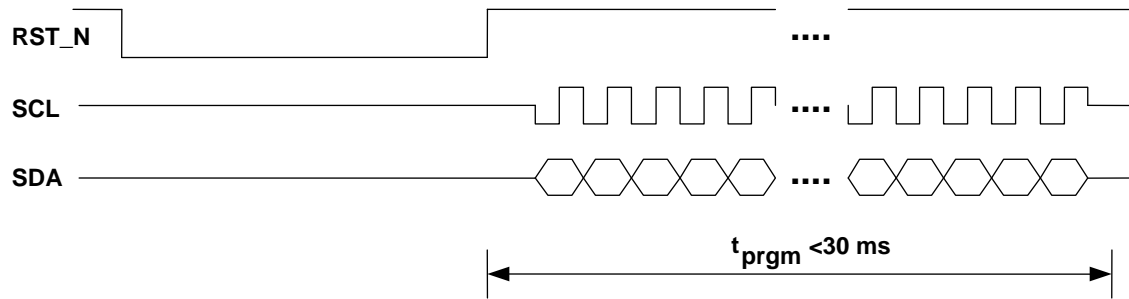


Figure 8. KSZ8895MQ/RQ/FMQ EEPROM Configuration Timing Diagram

To configure the KSZ8895MQ/RQ/FMQ with a pre-configured EEPROM use the following steps:

1. At the board level, connect pin 110 on the KSZ8895MQ/RQ/FMQ to the SCL pin on the EEPROM. Connect pin 111 on the KSZ8895MQ/RQ/FMQ to the SDA pin on the EEPROM.
2. Set the input signals PS[1:0] (pins 113 and 114, respectively) to "00." This puts the KSZ8895MQ/RQ/FMQ serial bus configuration into I²C master mode.
3. Be sure the board-level reset signal is connected to the KSZ8895MQ/RQ/FMQ reset signal on pin 115 (RST_N).
4. Program the contents of the EEPROM before placing it on the board with the desired configuration data. Note that the first byte in the EEPROM must be "95" for the loading to occur properly. If this value is not correct, all other data will be ignored.
5. Place EEPROM on the board and power up the board. Assert the active-low board level reset to RST_N on the KSZ8895MQ/RQ/FMQ. After the reset is de-asserted, the KSZ8895MQ/RQ/FMQ will begin reading configuration data from the EEPROM. The configuration access time (t_{prgm}) is less than 30ms.

Note: For proper operation, make sure that pin 47 (PWRDN_N) is not asserted during the reset operation.

SPI Slave Serial Bus Configuration

The KSZ8895MQ/RQ/FMQ can also act as a SPI slave device. Through the SPI, the entire feature set can be enabled, including "VLAN," "IGMP snooping," "MIB counters," etc. The external master device can access any register from Register 0 to Register 127 randomly. The system should configure all the desired settings before enabling the switch in the KSZ8895MQ/RQ/FMQ. To enable the switch, write a "1" to Register 1 bit 0.

Two standard SPI commands are supported (00000011 for "READ DATA," and 00000010 for "WRITE DATA"). To speed configuration time, the KSZ8895MQ/RQ/FMQ also supports multiple reads or writes. After a byte is written to or read from the KSZ8895MQ/RQ/FMQ, the internal address counter automatically increments if the SPI Slave Select Signal (SPIS_N) continues to be driven low. If SPIS_N is kept low after the first byte is read, the next byte at the next address will be shifted out on SPIQ. If SPIS_N is kept low after the first byte is written, bits on the Master Out Slave Input (SPID) line will be written to the next address. Asserting SPIS_N high terminates a read or write operation. This means that the SPIS_N signal must be asserted high and then low again before issuing another command and address. The address counter wraps back to zero once it reaches the highest address. Therefore the entire register set can be written to or read from by issuing a single command and address.

The default SPI clock speed is 12.5MHz. The KSZ8895MQ/RQ/FMQ is able to support a SPI bus up to 25MHz (set register 12 bit[5:4] = 0x10). A high performance SPI master is recommended to prevent internal counter overflow.

To use the KSZ8895MQ/RQ/FMQ SPI:

1. At the board level, connect KSZ8895MQ/RQ/FMQ pins as follows:

| KSZ8895MQ/RQ/FMQ Pin Number | KSZ8895MQ/RQ/FMQ Signal Name | Microprocessor Signal Description |
|-----------------------------|------------------------------|-----------------------------------|
| 112 | SPIS_N | SPI Slave Select |
| 110 | SPIC | SPI Clock |
| 111 | SPID | Master Out Slave Input |
| 109 | SPIQ | Master In Slave Output |

Table 10. SPI Connections

2. Set the input signals PS[1:0] (pins 113 and 114, respectively) to “10” to set the serial configuration to SPI slave mode.
3. Power up the board and assert a reset signal. After reset wait 100µs, the start switch bit in Register 1 will be set to ‘0’. Configure the desired settings in the KSZ8895MQ/RQ/FMQ before setting the start register to ‘1.’
4. Write configuration to registers using a typical SPI write data cycle as shown in Figure 9 or SPI multiple write as shown in Figure 11. Note that data input on SPID is registered on the rising edge of SPIC.
5. Registers can be read and configuration can be verified with a typical SPI read data cycle as shown in Figure 10 or a multiple read as shown in Figure 12. Note that read data is registered out of SPIQ on the falling edge of SPIC.
6. After configuration is written and verified, write a ‘1’ to Register 1 bit 0 to begin KSZ8895MQ/RQ/FMQ switch operation.

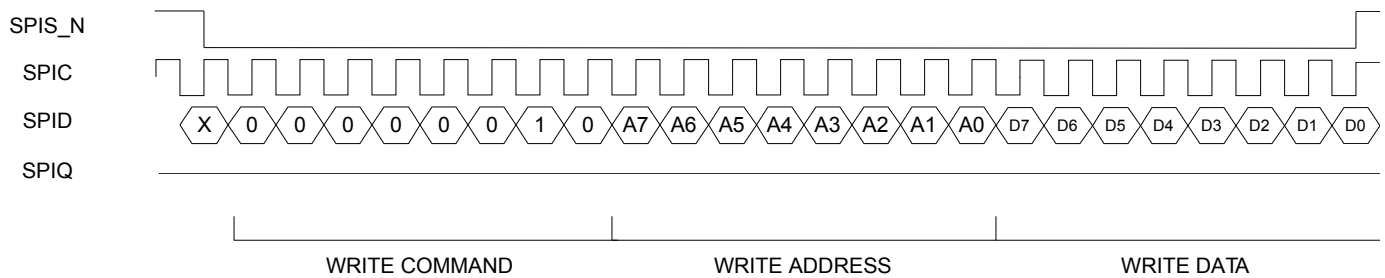


Figure 9. SPI Write Data Cycle

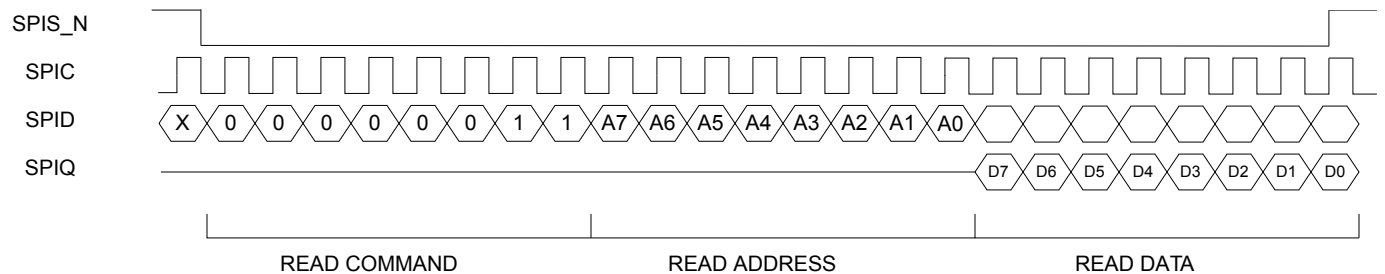


Figure 10. SPI Read Data Cycle

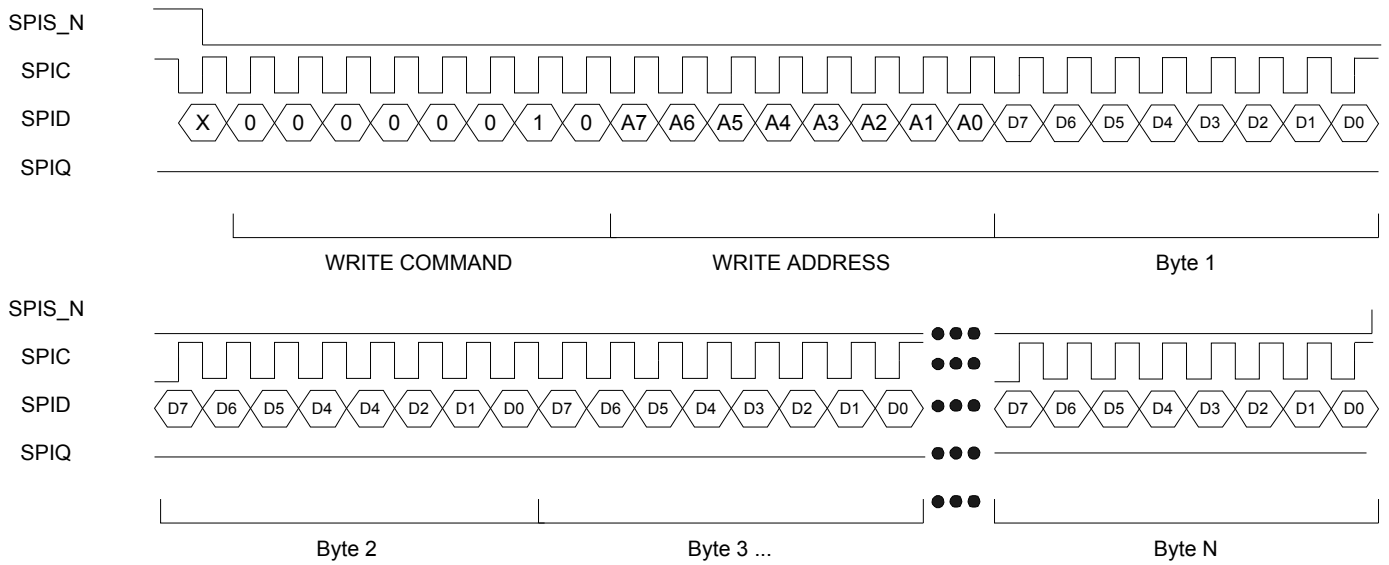


Figure 11. SPI Multiple Write

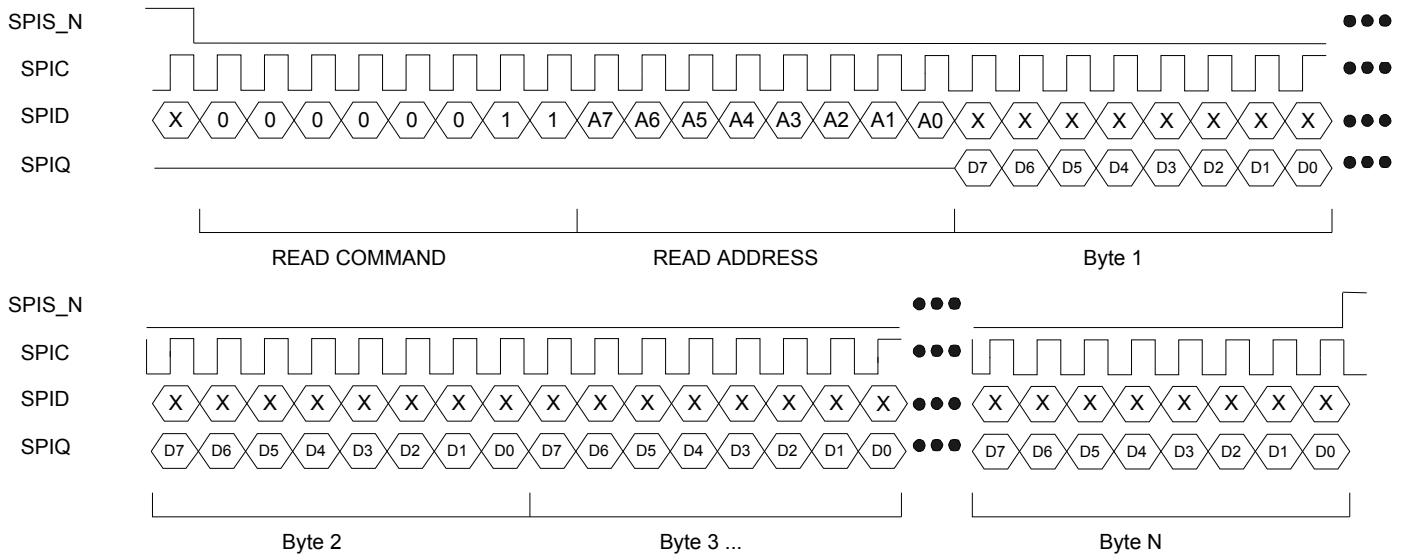


Figure 12. SPI Multiple Read

MII Management Interface (MIIM)

The KSZ8895MQ/RQ/FMQ supports the standard IEEE 802.3 MII Management Interface, also known as the Management Data Input/Output (MDIO) Interface. This interface allows upper-layer devices to monitor and control the states of the KSZ8895MQ/RQ/FMQ. An external device with MDC/MDIO capability is used to read the PHY status or configure the PHY settings. Further details on the MIIM interface are found in Clause 22.2.4.5 of the IEEE 802.3u Specification.

The MIIM interface consists of the following:

- A physical connection that incorporates the data line (pin 108 MDIO) and the clock line (pin 107 MDC).
- A specific protocol that operates across the aforementioned physical connection that allows an external controller to communicate with the KSZ8895MQ/RQ/FMQ device.
- Access to a set of eight 16-bit registers, consisting of 8 standard MIIM registers [0:5h], 1d and 1f MIIM registers per port.

The MIIM Interface can operate up to a maximum clock speed of 10MHz MDC clock.

The following table depicts the MII Management Interface frame format.

| | Preamble | Start of Frame | Read/Write OP Code | PHY Address Bits[4:0] | REG Address Bits[4:0] | TA | Data Bits[15:0] | Idle |
|--------------|----------|----------------|--------------------|-----------------------|-----------------------|----|-------------------|------|
| Read | 32 1's | 01 | 10 | AAAAA | RRRRR | Z0 | DDDDDDDD_DDDDDDDD | Z |
| Write | 32 1's | 01 | 01 | AAAAA | RRRRR | 10 | DDDDDDDD_DDDDDDDD | Z |

Table 11. MII Management Interface Frame Format

The MIIM interface does not have access to all the configuration registers in the KSZ8895MQ/RQ/FMQ. It can only access the standard MIIM registers. See "MIIM Registers". The SPI interface and MDC/MDIO SMI mode, on the other hand, can be used to access all registers with the entire KSZ8895MQ/RQ/FMQ feature set.

Serial Management Interface (SMI)

The SMI is the KSZ8895MQ/RQ/FMQ non-standard MIIM interface that provides access to all KSZ8895MQ/RQ/FMQ configuration registers. This interface allows an external device with MDC/MDIO interface to completely monitor and control the states of the KSZ8895MQ/RQ/FMQ.

The SMI interface consists of the following:

- A physical connection that incorporates the data line (MDIO) and the clock line (MDC).
- A specific protocol that operates across the aforementioned physical connection that allows an external controller to communicate with the KSZ8895MQ/RQ/FMQ device.
- Access to all KSZ8895MQ/RQ/FMQ configuration registers. Register access includes the Global, Port and Advanced Control Registers 0-255 (0x00 – 0xFF), and indirect access to the standard MIIM registers [0:5] and custom MIIM registers [29, 31].

The SMI Interface can operate up to a maximum clock speed of 10MHz MDC clock.

The following table depicts the SMI frame format.

| | Preamble | Start of Frame | Read/Write OP Code | PHY Address Bits[4:0] | REG Address Bits[4:0] | TA | Data Bits[15:0] | Idle |
|--------------|----------|----------------|--------------------|-----------------------|-----------------------|----|---------------------|------|
| Read | 32 1's | 01 | 10 | RR11R | RRRRR | Z0 | 0000_0000_DDDD_DDDD | Z |
| Write | 32 1's | 01 | 01 | RR11R | RRRRR | 10 | xxxx_xxxx_DDDD_DDDD | Z |

Table 12. Serial Management Interface (SMI) Frame Format

SMI register Read access is selected when OP Code is set to “10” and bits[2:1] of the PHY address is set to ‘11’. SMI register Write access is selected when OP Code is set to “01” and bits[2:1] of the PHY address is set to ‘11’. The 8-bit register address is the concatenation of {PHY address bits[4:3], PHY address bits [0], REG address bit[4:0]}. Since the switch configuration registers are 8-bit wide, only the lower 8 bits of data bits[15:0] are used.

To access the KSZ8895MQ/RQ/FMQ registers 0-255 (0x00 - 0xFF), the following applies:

PHYAD [4,3,0] and REGAD [4:0] are concatenated to form the 8-bit address; that is, {PHYAD[4,3,0], REGAD[4:0]} = bits [7:0] of the 8-bit address.

Registers are 8 data bits wide. For read operation, data bits [15:8] are read back as zeroes. For write operation, data bits [15:8] are not defined, and hence can be set to either zeroes or ones.

SMI register access is the same as the MIIM register access, except for the register access requirements presented in this section.

Register Description

| Offset | | Description |
|---------|-----------|--------------------------------------------------------------------------|
| Decimal | Hex | |
| 0-1 | 0x00-0x01 | Chip ID Registers. |
| 2-13 | 0x02-0x0D | Global Control Registers. |
| 14-15 | 0x0E-0x0F | Power Down Management Control Registers. |
| 16-20 | 0x10-0x14 | Port 1 Control Registers. |
| 21-23 | 0x15-0x17 | Port 1 Reserved (Factory Test Registers). |
| 24-31 | 0x18-0x1F | Port 1 Control/Status Registers. |
| 32-36 | 0x20-0x24 | Port 2 Control Registers. |
| 37-39 | 0x25-0x27 | Port 2 Reserved (Factory Test Registers). |
| 40-47 | 0x28-0x2F | Port 2 Control/Status Registers. |
| 48-52 | 0x30-0x34 | Port 3 Control Registers. |
| 53-55 | 0x35-0x37 | Port 3 Reserved (Factory Test Registers). |
| 56-63 | 0x38-0x3F | Port 3 Control/Status Registers. |
| 64-68 | 0x40-0x44 | Port 4 Control Registers. |
| 69-71 | 0x45-0x47 | Port 4 Reserved (Factory Test Registers). |
| 72-79 | 0x48-0x4F | Port 4 Control/Status Registers. |
| 80-84 | 0x50-0x54 | Port 5 Control Registers. |
| 85-87 | 0x55-0x57 | Port 5 Reserved (Factory Test Registers). |
| 88-95 | 0x58-0x5F | Port 5 Control/Status Registers. |
| 96-103 | 0x60-0x67 | Reserved (Factory Testing Registers). |
| 104-109 | 0x68-0x6D | MAC Address Registers. |
| 110-111 | 0x6E-0x6F | Indirect Access Control Registers. |
| 112-120 | 0x70-0x78 | Indirect Data Registers. |
| 121-123 | 0x79-0x7B | Reserved (Factory Testing Registers). |
| 124-125 | 0x7C-0x7D | Port Interrupt Registers. |
| 126-127 | 0x7E-0x7F | Reserved (Factory Testing Registers). |
| 128-135 | 0x80-0x87 | Global Control Registers. |
| 136 | 0x88 | Switch Self Test Control Register. |
| 137-143 | 0x89-0x8F | QM Global Control Registers. |
| 144-145 | 0x90-0x91 | TOS Priority Control Registers. |
| 146-159 | 0x92-0x9F | TOS Priority Control Registers. |
| 160-175 | 0xA0-0xAF | Reserved (Factory Testing Registers). |
| 176-190 | 0xB0-0xBE | Port 1 Control Registers. |
| 191 | 0xBF | Reserved (Factory Testing Register): Transmit Queue Remap Base Register. |

Register Description (Continued)

| Offset | | |
|---------|-----------|--------------------------------------|
| Decimal | Hex | Description |
| 192-206 | 0xC0-0xCE | Port 2 Control Registers. |
| 207 | 0xCF | Reserved (Factory Testing Register). |
| 208-222 | 0xD0-0xDE | Port 3 Control Registers. |
| 223 | 0xDF | Reserved (Factory Testing Register). |
| 224-238 | 0xE0-0xEE | Port 4 Control Registers. |
| 239 | 0xEF | Reserved (Factory Testing Register). |
| 240-254 | 0xF0-0xFE | Port 5 Control Registers. |
| 255 | 0xFF | Reserved (Factory Testing Register). |

Global Registers

| Address | Name | Description | Mode | Default |
|---------------------------------------------------|-------------------------|----------------------------------------------------------------------------------------------------------------------------------------------------------------------------------------------------------------------------------------------------------------------------------------------------------------------------------------------------------------------------------------------------------------------------------------------------------------------------------------------------------------------------------------------------------------------------------------------------------------------------------------------------------------------------------------------------------------------------------------------------------------|-------------|-----------------------------------------------|
| Register 0 (0x00): Chip ID0 | | | | |
| 7-0 | Family ID | Chip family. | RO | 0x95 |
| Register 1 (0x01): Chip ID1 / Start Switch | | | | |
| 7-4 | Chip ID | 0100 = KSZ8895MQ 0101 = KSZ8895TMQ 0110 = KSZ8995RQ | RO | 0x4 is MQ 0x5 is TMQ 0x6 is RQ |
| 3-1 | Revision ID | Revision ID | RO | 0x0 |
| 0 | Start Switch | <p>1, start the chip when external pins (PS1, PS0) = (1,0) Note: in (PS1,PS0) = (0,0) mode, the chip will start automatically, after trying to read the external EEPROM. If EEPROM does not exist, the chip will use default values for all internal registers. If EEPROM is present, the contents in the EEPROM will be checked. The switch will check:</p> <p style="padding-left: 20px;">7 Register 0 = 0x95, (2) Register 1 [7:4] = Available chip ID.</p> <p>If this check is OK, the contents in the EEPROM will override chip register default values =0, chip will not start when external pins (PS1, PS0) = (1,0) or (0,1).</p> <p><i>Note: (PS1, PS0) = (1,1) for Factory test only.</i></p> <p>0, stop the switch function of the chip.</p> | R/W | 0 |
| Register 2 (0x02): Global Control 0 | | | | |
| 7 | New Back-off Enable | New Back-off algorithm designed for UNH 1 = Enable 0 = Disable | R/W | 0 |
| 6 | Reserved | Reserved. | RO | 0 |
| 5 | Flush dynamic MAC table | <p>Flush the entire dynamic MAC table for RSTP 1 = Trigger the flush dynamic MAC table operation. This bit is self clear 0 = normal operation</p> <p>Note: All the entries associated with a port that has its learning capability being turned off (Learning Disable) will be flushed. If you want to flush the entire Table, all ports learning capability must be turned off.</p> | R/W (SC) | 0 |
| 4 | Flush static MAC table | <p>Flush the matched entries in static MAC table for RSTP 1 = Trigger the flush static MAC table operation. This bit is self clear 0 = normal operation</p> <p>Note: The matched entry is defined as the entry whose Forwarding Ports field contains a single port and MAC address with unicast. This port, in turn, has its learning capability being turned off (Learning Disable). Per port, multiple entries can be qualified as matched entries.</p> | R/W (SC) | 0 |

Global Registers (Continued)

| Address | Name | Description | Mode | Default |
|--------------------------------------------|-------------------------------------------|------------------------------------------------------------------------------------------------------------------------------------------------------------------------------------------------------------------------------------------------------------------------------------|------|-----------------------------------------------------------------------------------------------------------------------------------------------------------------|
| 3 | Enable PHY MII/RMII | 1, enable PHY P5-MII/RMII interface (default). <i>Note: if not enabled, the switch will tri-state all outputs.</i> | R/W | 1 Pin LED[5][1] strap option. PD(0): isolate. PU(1): Enable. <i>Note: LED[5][1] has internal pull-up (PU).</i> |
| 2 | Reserved | N/A Don't change. | RO | 1 |
| 1 | UNH Mode | 1, the switch will drop packets with 0x8808 in T/L filed, or DA = 01-80-C2-00-00-01. 0, the switch will drop packets qualified as "flow control" packets. | R/W | 0 |
| 0 | Link Change Age | 1, link change from "link" to "no link" will cause fast aging (<800µs) to age address table faster. After an age cycle is complete, the age logic will return to normal (300 +/- 75 seconds). <i>Note: If any port is unplugged, all addresses will be automatically aged out.</i> | R/W | 0 |
| Register 3 (0x03): Global Control 1 | | | | |
| 7 | Pass All Frames | 1, switch all packets including bad ones. Used solely for debugging purpose. Works in conjunction with sniffer mode. | R/W | 0 |
| 6 | 2K Byte packet support | 1 = enable support 2K Byte packet 0 = disable support 2K Byte packet | R/W | 0 |
| 5 | IEEE 802.3x Transmit Flow Control Disable | 0, will enable transmit flow control based on AN result. 1, will not enable transmit flow control regardless of AN result. | R/W | 0 Pin PMRXD3 strap option. PD(0): Enable Tx flow control (default). PU(1): Disable Tx/Rx flow control. <i>Note: PMRXD3 has internal pull-down.</i> |
| 4 | IEEE 802.3x Receive Flow Control Disable | 0, will enable receive flow control based on AN result. 1, will not enable receive flow control regardless of AN result. <i>Note: Bit 5 and bit 4 default values are controlled by the same pin, but they can be programmed independently.</i> | R/W | 0 Pin PMRXD3 strap option. PD (0): Enable Rx flow control (default). PU(1): Disable Tx/Rx flow control. <i>Note: PMRXD3 has internal pull-down.</i> |

Global Registers (Continued)

| Address | Name | Description | Mode | Default |
|--------------------------------------------|------------------------------------|----------------------------------------------------------------------------------------------------------------------------------------------------------------------------------------------------------------------|------|-------------------------------------------------------------------------------------------------------------------------------------------------------------------------------------|
| 3 | Frame Length Field Check | 1, will check frame length field in the IEEE packets If the actual length does not match, the packet will be dropped (for L/T <1500) . | R/W | 0 |
| 2 | Aging Enable | 1, Enable age function in the chip. 0, Disable aging function. | R/W | 1 Pin LED[5][2] strap option. PD(0): Aging disable. PU(1): Aging enable (default). <i>Note: LED[5][2] has internal pull up.</i> |
| 1 | Fast age Enable | 1 = Turn on fast age (800µs). | R/W | 0 |
| 0 | Aggressive Back Off Enable | 1 = Enable more aggressive back-off algorithm in half duplex mode to enhance performance. This is not an IEEE standard. | R/W | 0 Pin PMRXD0 strap option. PD(0): Disable aggressive back off (default). PU(1): Aggressive back off. <i>Note: PMRXD0 has internal pull down.</i> |
| Register 4 (0x04): Global Control 2 | | | | |
| 7 | Unicast Port-VLAN Mismatch Discard | This feature is used for port VLAN (described in Register 17, Register 33...). 1, all packets can not cross VLAN boundary. 0, unicast packets (excluding unknown/multicast/broadcast) can cross VLAN boundary. | R/W | 1 |
| 6 | Multicast Storm Protection Disable | 1, "Broadcast Storm Protection" does not include multicast packets. Only DA = FFFFFFFF packets will be regulated. 0, "Broadcast Storm Protection" includes DA = FFFFFFFF and DA[40] = 1 packet. | R/W | 1 |
| 5 | Back Pressure Mode | 1, carrier sense based backpressure is selected. 0, collision based backpressure is selected. | R/W | 1 |

Global Registers (Continued)

| Address | Name | Description | Mode | Default |
|--------------------------------------------|-----------------------------------------------------|---------------------------------------------------------------------------------------------------------------------------------------------------------------------------------------------------------------------------------------------------------------------------------------------------------------------------------------------------------------------------------------------------------------------------------------------------------------------------------------------------------|------|------------------------------------------------------------------------------------------------------------------------------------------------------------------------------------------|
| 4 | Flow Control and Back Pressure fair Mode | 1, fair mode is selected. In this mode, if a flow control port and a non-flow control port talk to the same destination port, then packets from the non-flow control port may be dropped. This is to prevent the flow control port from being flow controlled for an extended period of time. 0, in this mode, if a flow control port and a non-flow control port talk to the same destination port, the flow control port will be flow controlled. This may not be "fair" to the flow control port. | R/W | 1 |
| 3 | No Excessive Collision Drop | 1, the switch will not drop packets when 16 or more collisions occur. 0, the switch will drop packets when 16 or more collisions occur. | R/W | 0 Pin PMRXD1 strap option. PD(0): (default) Drop excessive collision packets. PU(1): Don't drop excessive collision packets. <i>Note: PMRXD1 has internal pull down.</i> |
| 2 | Huge Packet Support | 1, will accept packet sizes up to 1916 bytes (inclusive). This bit setting will override setting from bit 1 of the same register. 0, the max packet size will be determined by bit 1 of this register. | R/W | 0 |
| 1 | Legal Maximum Packet Size Check Disable | 1, will accept packet sizes up to 1536 bytes (inclusive). 0, 1522 bytes for tagged packets (not including packets with STPID from CPU to ports 1-4), 1518 bytes for untagged packets. Any packets larger than the specified value will be dropped. | R/W | 0 Pin PMRXER strap option. PD(0): (default) 1518/1522 byte packets. PU(1): 1536 byte packets. <i>Note: PMRXER has internal pull-down.</i> |
| 0 | Reserved | N/A | RO | 0 |
| Register 5 (0x05): Global Control 3 | | | | |
| 7 | 802.1q VLAN Enable | 1, 802.1q VLAN mode is turned on. VLAN table needs to set up before the operation. 0, 802.1q VLAN is disabled. | R/W | 0 |
| 6 | IGMP Snoop Enable on Switch SW5-MII/RMII Interface | 1, IGMP snoop enabled. All the IGMP packets will be forwarded to Switch MII/RMII port. 0, IGMP snoop disabled. | R/W | 0 |
| 5 | Enable Direct Mode on Switch SW5-MII/RMII Interface | 1, direct mode on Port 5. This is a special mode for the Switch MII/RMII interface. Using preamble before MRXDV to direct switch to forward packets, bypassing internal look-up. 0, normal operation. | R/W | 0 |

Global Registers (Continued)

| Address | Name | Description | Mode | Default |
|--------------------------------------------|------------------------------------------------------|---------------------------------------------------------------------------------------------------------------------------------------------------------------------------------------------------------------------------------------------|------|------------------------------------------------------------------------------------------------------------------------------------------------|
| 4 | Enable Pre-Tag on Switch SW5-MII/TMI/RMIII Interface | 1, packets forwarded to Switch MII/RMII interface will be pre-tagged with the source port number (preamble before MRXDV). 0, normal operation. | R/W | 0 |
| 3-2 | Reserved | N/A | RO | 00 |
| 1 | Enable "Tag" Mask | 1, the last 5 digits in the VID field are used as a mask to determine which port(s) the packet should be forwarded to. 0, no tag masks. Note: you need to turn off the 802.1q VLAN mode (reg0x5, bit 7 = 0) for this bit to work. | R/W | 0 |
| 0 | Sniff Mode Select | 1, will do Rx AND Tx sniff (both source port and destination port need to match). 0, will do Rx OR Tx sniff (Either source port or destination port needs to match). This is the mode used to implement Rx only sniff. | R/W | 0 |
| Register 6 (0x07): Global Control 4 | | | | |
| 7 | Switch SW5-MII/RMII Back Pressure Enable | 1, enable half-duplex back pressure on switch MII/RMII interface. 0, disable back pressure on switch MII interface. | R/W | 0 |
| 6 | Switch SW5-MII/RMII Half-Duplex Mode | 1, enable MII/RMII interface half-duplex mode. 0, enable MII/RMII interface full-duplex mode. | R/W | 0 Pin SMRXD2 strap option. PD(0): (default) Full-duplex mode. PU(1): Half-duplex mode. Note: SMRXD2 has internal pull-down. |
| 5 | Switch SW5-MII/RMII Flow Control Enable | 1, enable full-duplex flow control on switch MII/RMII interface. 0, disable full-duplex flow control on switch MII/RMII interface. | R/W | 0 Pin SMRXD3 strap option. PD(0): (default) Disable flow control. PU(1): enable flow control. Note: SMRXD3 has internal pull-down. |

Global Registers (Continued)

| Address | Name | Description | Mode | Default |
|--------------------------------------------|-------------------------------------------|---------------------------------------------------------------------------------------------------------------------------------------------------------------------------------------------------------------|------|-------------------------------------------------------------------------------------------------------------------------------------------|
| 4 | Switch SW5-MII/RMII Speed | 1, the switch SW5-MII/RMII is in 10Mbps mode. 0, the switch SW5-MII/RMII is in 100Mbps mode. | R/W | 0 Pin SMRXD1 strap option. PD(0): (default) Enable 100Mbps. PU(1): Enable 10Mbps. <i>Note: SMRXD1 has internal pull-down.</i> |
| 3 | Null VID Replacement | 1, will replace null VID with port VID (12 bits). 0, no replacement for null VID. | R/W | 0 |
| 2-0 | Broadcast Storm Protection Rate Bit[10:8] | This along with the next register determines how many "64 byte blocks" of packet data allowed on an input port in a preset period. The period is 50ms for 100BT or 500ms for 10BT. The default is 1%. | R/W | 000 |
| Register 7 (0x07): Global Control 5 | | | | |
| 7-0 | Broadcast Storm Protection Rate Bit[7:0] | This along with the previous register determines how many "64-byte blocks" of packet data are allowed on an input port in a preset period. The period is 50ms for 100BT or 500ms for 10BT. The default is 1%. | R/W | 0x4A ⁽¹⁾ |
| Register 8 (0x08): Global Control 6 | | | | |
| 7-0 | Factory Testing | N/A Don't change. | RO | 0x00 |
| Register 9 (0x09): Global Control 7 | | | | |
| 7-0 | Factory Testing | N/A Don't change. | RO | 0x4C |

Note:

7 148,800 frames/sec × 50ms/interval × 1% = 74 frames/interval (approx.) = 0x4A.

Global Registers (Continued)

| Address | Name | Description | Mode | Default | | |
|---------------------------------------------|---------------------------------------------|-------------------------------------------------------------------------------------------------------------------------------------------------------------------------------------------------------------------------------------------------------------------------------------------------------------------------------------------------------------------|------|----------------------------------------------------------------------------------------------------------------------------------------------------|---------------|---------------|
| Register 10 (0x0A): Global Control 8 | | | | | | |
| 7-0 | Factory Testing | N/A Don't change. | RO | 0x00 | | |
| Register 11 (0x0B): Global Control 9 | | | | | | |
| 7 | Reversed | N/A Don't change. | RO | 0 | | |
| 6 | Port 5 SW5- RMI reference clock edge select | RQ: Select the data sampling edge of Switch MAC5 SW5- RMI reference clock: 1 = data sampling on negative edge of refclk 0 = data sampling on positive edge of refclk (default) Note:MQ/FMQ is reserved with read only for this bit. | R/W | 0 | | |
| 5 | Reserved | N/A Don't change. | RO | 0 | | |
| 4 | Reserved | N/A Don't change. | RO | 0 | | |
| 3 | PHY Power Save | 1 = disable PHY power save mode. 0 = enable PHY power save mode. | R/W | 0 | | |
| 2 | Reserved | N/A Don't change. | RO | 0 | | |
| 1 | LED Mode | 0 = led mode 0. 1 = led mode 1. Mode 0, link at 100/Full LEDx[2,1,0] = 0,0,0 100/Half LEDx[2,1,0] = 0,1,0 10/Full LEDx[2,1,0] = 0,0,1 10/Half LEDx[2,1,0] = 0,1,1 Mode 1, link at 100/Full LEDx[2,1,0] = 0,1,0 100/Half LEDx[2,1,0] = 0,1,1 10/Full LEDx[2,1,0] = 1,0,0 10/Half LEDx[2,1,0] = 1,0,1 (0 = LED on, 1 = LED off) | R/W | 0 Pin SMRXD0 – strap option. Pull-down(0): Enabled led mode 0. Pull-up(1): Enabled led mode 1. <i>Note: SMRXD0 has internal pull-down 0.</i> | | |
| | | | | | Mode 0 | Mode 1 |
| | | LEDX_2 | | | Lnk/Act | 100Lnk/Act |
| | | LEDX_1 | | | Full/Col | 10Lnk/Act |
| | | LEDX_0 | | | Speed | Full |
| 0 | SPI/SMI read sampling clock edge select | Select the SPI/SMI clock edge for sampling SPI/SMI read data. 1 = trigger by rising edge of SPI/SMI clock (for high speed SPI about 25MHz and SMI about 10MHz) 0 = trigger by falling edge of SPI/SMI clock. | R/W | 0 | | |

Global Registers (Continued)

| Address | Name | Description | Mode | Default |
|------------------------------------------------------------|-------------------------------------------------------------------------------------------------------------------------------------------------------------------------|-----------------------------------------------------------------------------------------------------------------------------------------------------------------------------------------------------------------------------------------------------------------------------------------------------------------------------------------------------------------------------------------------------------------------------------------------------------------------------------------------------------------------------------------------------------------------------------------------------------------------------------------------------------------------|------|---------------------------------------------------------------------------------------------------------------------------------------------------------------------------------------------------------------------------------------------------|
| Register 12 (0x0C): Global Control 10 | | | | |
| 7 | Reserved | Reserved | RO | 0 |
| 6 | Status of device with RMII interface at clock mode or normal mode, default is clock mode with 25MHz Crystal clock from pins X1/X2 (used for RMII of the KSZ8895RQ only) | <p>1 = The device is in clock mode when use RMII interface, 25 MHz Crystal clock input as clock source for internal PLL. This internal PLL will provide the 50 MHz output on the pin SMRXC for RMII reference clock (Default).</p> <p>0 = The device is in normal mode when use SW4-RMII interface and 50 MHz clock input from external clock through pin SM4TXC as device's clock source and internal PLL clock source from this pin not from the 25MHz crystal.</p> <p>Note: This bit is set by strap option only. Write to this bit has no effect on mode selection.</p> <p>Note: The normal mode is used in SW5-RMII interface reference clock from external.</p> | RO | <p>1 Pin LED[2][2] strap option. PD(0): Select SW5-RMII at normal mode to receive external 50MHz RMII reference clock PU(1): (default) Select SW5-RMII at clock mode, RMII output 50MHz Note: LED[2][2] has internal pull-up.</p> |
| 5 – 4 | CPU interface clock select | <p>Select the internal clock speed for SPI, MDI interface:</p> <p>00 = 41.67MHz (SPI up to 6.25MHz, MDC up to 6MHz)</p> <p>01 = 83.33MHz Default (SPI SCL up to 12.5MHz, MDC up to 12MHz)</p> <p>10 = 125MHz (for high speed SPI about 25MHz)</p> <p>11 = Reserved</p> | R/W | 01 |
| 3 | Reserved | N/A Don't change. | RO | 0 |
| 2 | Enable restore preamble | <p>This bit is to enable PHY5, when in 10BT mode, to restore preamble before sending data on P5-MII interface.</p> <p>1 = Enable PHY5 to restore preamble.</p> <p>0 = Disable PHY5 to restore preamble.</p> | R/W | 1 |
| 1 | Tail Tag Enable | <p>Tail Tag feature is applied for Port 5 only.</p> <p>1 = Insert 1 Byte of data right before FCS.</p> <p>0 = Do not insert.</p> | R/W | 0 |
| 0 | Pass Flow Control Packet | <p>1 = Switch will not filter 802.1x "flow control" packets.</p> <p>0 = Switch will filter 802.1x "flow control" packets.</p> | R/W | 0 |
| Register 13 (0x0D): Global Control 11 | | | | |
| 7 – 0 | Factory Testing | N/A Don't change. | RO | 00000000 |
| Register 14 (0x0E): Power Down Management Control 1 | | | | |
| 7 | Reserved | N/A Don't change. | RO | 0 |
| 6 | Reserved | N/A Don't change. | RO | 0 |

Global Registers (Continued)

| Address | Name | Description | Mode | Default |
|------------------------------------------------------------|-----------------------|----------------------------------------------------------------------------------------------------------------------------------------------------------------------------------------------------------------------------------------------------------------------------|------|-------------------------------------------------------------------------------------------------------------------------------------------------------------------------------|
| 5 | PLL Power Down | PLL power down enable: 1 = Enable 0 = Disable | R/W | 0 |
| 4 – 3 | Power Management Mode | Power management mode : 00 = Normal mode (D0) 01 = Energy Detection mode (D2) 10 = soft Power Down mode (D3) 11 = Power Saving mode (D1) | R/W | 00 Pin LED[4][0] strap option. PD(0): Select Energy detection mode PU(1): (default) Normal mode <i>Note: LED[4][0] has internal pull- up.</i> |
| 2-0 | Reserved | N/A Don't change. | RO | 000 |
| Register 15 (0x0F): Power Down Management Control 2 | | | | |
| 7 – 0 | Go_sleep_time[7:0] | When the Energy Detect mode is on, this value is used to control the minimum period that the no energy event has to be detected consecutively before the device enters the low power state. The unit is 20 ms. The default of go_sleep time is 1.6 seconds (80Dec x 20ms). | R/W | 01010000 |

Port Registers

The following registers are used to enable features that are assigned on a per port basis. The register bit assignments are the same for all ports, but the address for each port is different, as indicated.

Register 16 (0x10): Port 1 Control 0

Register 32 (0x20): Port 2 Control 0

Register 48 (0x30): Port 3 Control 0

Register 64 (0x40): Port 4 Control 0

Register 80 (0x50): Port 5 Control 0

| Address | Name | Description | Mode | Default |
|---------|-------------------------------------------|--------------------------------------------------------------------------------------------------------------------------------------------------------------------------------------------------------------------------------------------------------------------------------------------------------------------------------------------------------------------------------------------------------------------------------------------------------------------------------------------------------------------------------------------------------------------------------------------------------------------------------------------------------------------------------------------------------------------------------------------------------------------------------|------|---------|
| 7 | Broadcast Storm Protection Enable | 1, enable broadcast storm protection for ingress packets on the port. 0, disable broadcast storm protection. | R/W | 0 |
| 6 | DiffServ Priority Classification Enable | 1, enable DiffServ priority classification for ingress packets on port. 0, disable DiffServ function. | R/W | 0 |
| 5 | 802.1p Priority Classification Enable | 1, enable 802.1p priority classification for ingress packets on port. 0, disable 802.1p. | R/W | 0 |
| 4 – 3 | Port-Based Priority Classification Enable | = 00, ingress packets on port will be classified as priority 0 queue if "Diffserv" or "802.1p" classification is not enabled or fails to classify. = 01, ingress packets on port will be classified as priority 1 queue if "Diffserv" or "802.1p" classification is not enabled or fails to classify. = 10, ingress packets on port will be classified as priority 2 queue if "Diffserv" or "802.1p" classification is not enabled or fails to classify. = 11, ingress packets on port will be classified as priority 3 queue if "Diffserv" or "802.1p" classification is not enabled or fails to classify. <i>Note: "DiffServ", "802.1p" and port priority can be enabled at the same time. The OR'ed result of 802.1p and DSCP overwrites the port priority.</i> | R/W | 00 |
| 2 | Tag insertion | 1, when packets are output on the port, the switch will add 802.1q tags to packets without 802.1q tags when received. The switch will not add tags to packets already tagged. The tag inserted is the ingress port's "port VID." 0, disable tag insertion. | R/W | 0 |
| 1 | Tag Removal | 1, when packets are output on the port, the switch will remove 802.1q tags from packets with 802.1q tags when received. The switch will not modify packets received without tags. 0, disable tag removal. | R/W | 0 |

Port Registers (Continued)

| Address | Name | Description | Mode | Default |
|---------|-------------------------|----------------------------------------------------------------------------------------------------------------------------------------------------------------------------------------------------------------------------------------------------------------------------------------------------------------------------------------------------------------------------------------------------------------------------------------------------------------------------------------------------------------------------------------------------------------------------------------------------|------|---------|
| 0 | Two Queues Split Enable | This bit 0 in the register16/32/48/64/80 should be in combination with Register177/193/209/225/241 bit 1 for Port 1-5 will select the split of 1/2/4 queues: For Port 1, [Register 177 bit 1, Register 16 bit 0] = [11], Reserved [10], the port output queue is split into four priority queues or if map 802.1p to priority 0-3 mode. [01], the port output queue is split into two priority queues or if map 802.1p to priority 0-3 mode. [00], single output queue on the port. There is no priority differentiation even though packets are classified into high or low priority. | R/W | 0 |

Register 17 (0x11): Port 1 Control 1**Register 33 (0x21): Port 2 Control 1****Register 49 (0x31): Port 3 Control 1****Register 65 (0x41): Port 4 Control 1****Register 81 (0x51): Port 5 Control 1**

| Address | Name | Description | Mode | Default |
|---------|----------------------|--------------------------------------------------------------------------------------------------------------------------------------------------------------------------------------------------------------------------------------------|------|---------|
| 7 | Sniffer Port | 1, port is designated as sniffer port and will transmit packets that are monitored. 0, port is a normal port. | R/W | 0 |
| 6 | Receive Sniff | 1, all the packets received on the port will be marked as "monitored packets" and forwarded to the designated "sniffer port." 0, no receive monitoring. | R/W | 0 |
| 5 | Transmit Sniff | 1, all the packets transmitted on the port will be marked as "monitored packets" and forwarded to the designated "sniffer port." 0, no transmit monitoring. | R/W | 0 |
| 4-0 | Port VLAN Membership | Define the port's Port VLAN membership. Bit 4 stands for Port 5, bit 3 for Port 4...bit 0 for Port 1. The port can only communicate within the membership. A '1' includes a port in the membership, a '0' excludes a port from membership. | R/W | 0x1f |

Port Registers (Continued)**Register 18 (0x12): Port 1 Control 2****Register 34 (0x22): Port 2 Control 2****Register 50 (0x32): Port 3 Control 2****Register 66 (0x42): Port 4 Control 2****Register 82 (0x52): Port 5 Control 2**

| Address | Name | Description | Mode | Default |
|---------|--------------------------|----------------------------------------------------------------------------------------------------------------------------------------------------------------------------------------------------------------------------------------------------------------------------------------------------------------------------------------------------------------|------|-----------------------------------------------------------------------------------------------------------------------------------------------------------------------------------------------------------------------------------------------------------------------------------------------------------------------------------------------|
| 7 | User Priority Ceiling | 1, If packet 's "user priority field" is greater than the "user priority field" in the port default tag register, replace the packet's "user priority field" with the "user priority field" in the port default tag register control 3. 0, no replace packet's priority filed with port default tag priority filed of the port register control 3 bit[7:5]. | R/W | 0 |
| 6 | Ingress VLAN Filtering. | 1, the switch will discard packets whose VID port membership in VLAN table bit[20:16] does not include the ingress port. 0, no ingress VLAN filtering. | R/W | 0 |
| 5 | Discard Non-PVID packets | 1, the switch will discard packets whose VID does not match ingress port default VID. 0, no packets will be discarded. | R/W | 0 |
| 4 | Force Flow Control | 1, will always enable Rx and Tx flow control on the port, regardless of AN result. 0, the flow control is enabled based on AN result (Default) | R/W | 0 Strap-in option LED1_1/PCOL For port 3/port 4 LED1_1 default Pull up (1): Not force flow control; PCOL default Pull-down (0): Not force flow control. LED1_1 Pull down (0): Force flow control; PCOL Pull-up (1): Force flow control. <i>Note: LED1_1 has internal pull-up; PCOL have internal pull-down.</i> |
| 3 | Back Pressure Enable | 1, enable port half-duplex back pressure. 0, disable port half-duplex back pressure. | R/W | Pin PMRXD2 strap option. Pull-down (0): disable back pressure. Pull-up(1): enable back pressure. <i>Note: PMRXD2 has internal pull-down.</i> |
| 2 | Transmit Enable | 1, enable packet transmission on the port. 0, disable packet transmission on the port. | R/W | 1 |
| 1 | Receive Enable | 1, enable packet reception on the port. 0, disable packet reception on the port. | R/W | 1 |
| 0 | Learning Disable | 1, disable switch address learning capability. 0, enable switch address learning. | R/W | 0 |

Note: Bits 2-0 are used for spanning tree support. See “Spanning Tree Support” section.

Port Registers (Continued)

Register 19 (0x13): Port 1 Control 3

Register 35 (0x23): Port 2 Control 3

Register 51 (0x33): Port 3 Control 3

Register 67 (0x43): Port 4 Control 3

Register 83 (0x53): Port 5 Control 3

| Address | Name | Description | Mode | Default |
|---------|--------------------|---------------------------------------------------------------------------------------------|------|---------|
| 7-0 | Default Tag [15:8] | Port's default tag, containing: 7-5: user priority bits 4: CFI bit 3-0 : VID[11:8] | R/W | 0 |

Register 20 (0x14): Port 1 Control 4

Register 36 (0x24): Port 2 Control 4

Register 52 (0x34): Port 3 Control 4

Register 68 (0x44): Port 4 Control 4

Register 84 (0x54): Port 5 Control 4

| Address | Name | Description | Mode | Default |
|---------|-------------------|----------------------------------------------------|------|---------|
| 7-0 | Default Tag [7:0] | Default port 1's tag, containing: 7-0: VID[7:0] | R/W | 1 |

Note:

Registers 19 and 20 (and those corresponding to other ports) serve two purposes: (1) Associated with the ingress untagged packets, and used for egress tagging; (2) Default VID for the ingress untagged or null-VID-tagged packets, and used for address look up.

Register 87 (0x57): RMII Management Control Register

| Address | Name | Description | Mode | Default |
|---------|-------------------------------------------------------------------------|--------------------------------------------------------------------------------------------------------------------------------------------------------------------------------------------------------------------------------------------------------------------------------------------------------------------------------------------------------------------------|------|---------|
| 7 - 4 | Reserved | N/A Don't change. | RO | 0000 |
| 3 | Port 5 SW5-RMII 50MHz clock output disable (used for KSZ8895RQ only) | Disable the output of port 5 SW5-RMII 50 MHz output clock on RXC pin when 50MHz clock is not being used by the device and the 50MHz clock from external oscillator or opposite device in RMII mode 1 = Disable clock output when RXC pin is not used in RMII mode 0 = Enable clock output in RMII mode Note:MQ/FMQ is reserved with read only for this bit. | R/W | 0 |
| 2 | P5-RMII 50MHz clock output disable (used for KSZ8895RQ only) | Disable the output of port 5 P5-RMII 50 MHz output clock on RXC pin when 50MHz clock is not being used by the device and the 50MHz clock from external oscillator or opposite device in RMII mode 1 = Disable clock output when RXC pin is not used in RMII mode 0 = Enable clock output in RMII mode Note:MQ/FMQ is reserved with read only for this bit. | R/W | 0 |
| 1 - 0 | Reserved | N/A Don't change. | RO | 00 |

Port Registers (Continued)**Register 25 (0x19): Port 1 Status 0****Register 41 (0x29): Port 2 Status 0****Register 57 (0x39): Port 3 Status 0****Register 73 (0x49): Port 4 Status 0****Register 89 (0x59): Port 5 Status 0**

| Address | Name | Description | Mode | Default |
|---------|------------------------------|----------------------------------------------------------------------------------------------|------|---------|
| 7 | Hp_mdix | 1 = HP Auto MDI/MDI-X mode 0 = Micrel Auto MDI/MDI-X mode | R/W | 1 |
| 6 | Factory Testing | N/A Don't change. | RO | 0 |
| 5 | Polrvs | 1 = Polarity is reversed 0 = Polarity is not reversed | RO | 0 |
| 4 | Transmit Flow Control Enable | 1 = Transmit flow control feature is active 0 = Transmit flow control feature is inactive | RO | 0 |
| 3 | Receive Flow Control Enable | 1 = Receive flow control feature is active 0 = Receive flow control feature is inactive | RO | 0 |
| 2 | Operation Speed | 1 = Link speed is 100Mbps 0 = Link speed is 10Mbps | RO | 0 |
| 1 | Operation Duplex | 1 = Link duplex is full 0 = Link duplex is half | RO | 0 |
| 0 | Reserved | N/A Don't change. | RO | 0 |

Register 26 (0x1A): Port 1 PHY Special Control/Status**Register 42 (0x2A): Port 2 PHY Special Control/Status****Register 58 (0x3A): Port 3 PHY Special Control/Status****Register 74 (0x4A): Port 4 PHY Special Control/Status****Register 90 (0x5A): Port 5 PHY Special Control/Status**

| Address | Name | Description | Mode | Default |
|---------|-----------------|------------------------------------------------------------------------------------------------------------------------------------------------------------------------------------------------------------------------------------------------------------------------------------------------------------------|------|---------|
| 7-4 | Reserved | N/A Don't change. | RO | 0000 |
| 3 | Force_Ink | 1 = Force link pass 0 = Normal Operation | R/W | 0 |
| 2 | Pwrsave | 1 = Enable power saving 0 = Disable power saving | R/W | 0 |
| 1 | Remote Loopback | 1 = Perform Remote loopback, loopback on port 1 as follows: Port 1 (reg. 26, bit 1 = '1') Start : RXP1/RXM1 (port 1) Loopback: PMD/PMA of port 1's PHY End: TXP1/TXM1 (port 1) Setting reg. 42, 58, 74, 90, bit 1 = '1' will perform remote loopback on port 2, 3, 4, 5. 0 = Normal Operation. | R/W | 0 |
| 0 | Reserved | N/A Don't change. | RO | 0 |

Port Registers (Continued)**Register 27 (0x1B): Reserved****Register 43 (0x2B): Reserved****Register 59 (0x3B): Reserved****Register 75 (0x4B): Reserved****Register 91 (0x5B): Reserved**

| Address | Name | Description | Mode | Default |
|---------|----------|-------------------|------|---------|
| 7-0 | Reserved | N/A Don't change. | RO | 0 |

Register 28 (0x1C): Port 1 Control 5**Register 44 (0x2C): Port 2 Control 5****Register 60 (0x3C): Port 3 Control 5****Register 76 (0x4C): Port 4 Control 5****Register 92 (0x5C): Port 5 Control 5**

| Address | Name | Description | Mode | Default |
|---------|--------------------------|---------------------------------------------------------------------------------------------------------------------------------------------------------------------------------------------------------------|------|---------------------------------------------------------------------------------------------------------------------------------------------------------------------------------------------------------------------------------------------------------------------------------------------------------------------------------------------------------------------|
| 7 | Disable Auto-Negotiation | 1, disable auto-negotiation, speed and duplex are decided by bit 6 and 5 of the same register. 0, auto-negotiation is on. Note: The register bit value is the INVERT of the strap value at the pin. | R/W | 0 For Port 3/Port 4 only. INVERT of pins LED[2][1]/LED[5][0] strap option. PD(0): Disable Auto-Negotiation. PU(1): Enable Auto-Negotiation. Note: LED[2][1]/LED[5][0] have internal pull up. |
| 6 | Forced Speed | 1, forced 100BT if AN is disabled (bit 7). 0, forced 10BT if AN is disabled (bit 7). | R/W | 1 |
| 5 | Forced Duplex | 1, forced full-duplex if (1) AN is disabled or (2) AN is enabled but failed. 0, forced half-duplex if (1) AN is disabled or (2) AN is enabled but failed (Default). | R/W | 0 For Port 3/Port 4 only. Pins LED1_0/PCRS strap option: 1). Force half-duplex mode: LED1_0 pin Pull-up(1) (default) for Port 3 PCRS pin Pull-down (0) (default) for Port 4 2). Force full-Duplex mode: LED1_0 pin Pull-down(0) for Port 3 PCRS Pull-up (1) for Port 4. Note: LED1_0 has internal pull-up; PCRS have internal pull down. |

Port Registers (Continued)

| Address | Name | Description | Mode | Default |
|---------|-----------------------------------------|---------------------------------------------------------------------------------------------------------------------------|------|---------|
| 4 | Advertised Flow Control Capability | 1, advertise flow control capability. 0, suppress flow control capability from transmission to link partner. | R/W | 1 |
| 3 | Advertised 100BT Full-Duplex Capability | 1, advertise 100BT full-duplex capability. 0, suppress 100BT full-duplex capability from transmission to link partner. | R/W | 1 |
| 2 | Advertised 100BT Half-Duplex Capability | 1, advertise 100BT half-duplex capability. 0, suppress 100BT half-duplex capability from transmission to link partner. | R/W | 1 |
| 1 | Advertised 10BT Full-Duplex Capability | 1, advertise 10BT full-duplex capability. 0, suppress 10BT full-duplex capability from transmission to link partner. | R/W | 1 |
| 0 | Advertised 10BT Half-Duplex Capability | 1, advertise 10BT half-duplex capability. 0, suppress 10BT half-duplex capability from transmission to link partner. | R/W | 1 |

Register 29 (0x1D): Port 1 Control 6

Register 45 (0x2D): Port 2 Control 6

Register 61 (0x3D): Port 3 Control 6

Register 77 (0x4D): Port 4 Control 6

Register 93 (0x5D): Port 5 Control 6

| Address | Name | Description | Mode | Default |
|---------|------------------------|-------------------------------------------------------------------------------------------------------------------------------------------------------------------------------------------------------------------------------------------------------------------------------------------------------------------------------------------------------------------------------------------------------------------------------------------------------------------------------------------|-------------|---------|
| 7 | LED Off | 1, turn off all port's LEDs (LEDx_2, LEDx_1, LEDx_0, where "x" is the port number). These pins will be driven high if this bit is set to one. 0, normal operation. | R/W | 0 |
| 6 | Txids | 1, disable port's transmitter. 0, normal operation. | R/W | 0 |
| 5 | Restart AN | 1, restart auto-negotiation. 0, normal operation. | R/W (SC) | 0 |
| 4 | FX reserved | N/A | RO | 0 |
| 3 | Power Down | 1, power down. 0, normal operation. | R/W | 0 |
| 2 | Disable Auto MDI/MDI-X | 1, disable auto MDI/MDI-X function. 0, enable auto MDI/MDI-X function. | R/W | 0 |
| 1 | Forced MDI | 1, if auto MDI/MDI-X is disabled, force PHY into MDI mode. 0, MDI-X mode. | R/W | 0 |
| 0 | MAC Loopback | 1 = Perform MAC loopback, loop back path as follows: E.g. set port 1 MAC Loopback (reg. 29, bit 0 = '1'), use port 2 as monitor port. The packets will transfer Start: Port 2 receiving (also can start to receive packets from port 3, 4, 5). Loop-back: Port 1's MAC. End: Port 2 transmitting (also can end at Port 3, 4, 5 respectively). Setting reg. 45, 61, 77, 93, bit 0 = '1' will perform MAC loopback on port 2, 3, 4, 5 respectively. 0 = Normal Operation. | R/W | 0 |

Port Registers (Continued)**Register 30 (0x1E): Port 1 Status 1****Register 46 (0x2E): Port 2 Status 1****Register 62 (0x3E): Port 3 Status 1****Register 78 (0x4E): Port 4 Status 1****Register 94 (0x5E): Port 5 Status 1**

| Address | Name | Description | Mode | Default |
|---------|--------------------------------------|----------------------------------------------------------------------------------------------|------|---------|
| 7 | MDIX Status | 1, MDI. 0, MDI-X. | RO | 0 |
| 6 | AN Done | 1, AN done. 0, AN not done. | RO | 0 |
| 5 | Link Good | 1, link good. 0, link not good. | RO | 0 |
| 4 | Partner Flow Control Capability | 1, link partner flow control capable. 0, link partner not flow control capable. | RO | 0 |
| 3 | Partner 100BT Full-Duplex Capability | 1, link partner 100BT full-duplex capable. 0, link partner not 100BT full-duplex capable. | RO | 0 |
| 2 | Partner 100BT Half-Duplex Capability | 1, link partner 100BT half-duplex capable. 0, link partner not 100BT half-duplex capable. | RO | 0 |
| 1 | Partner 10BT Full-Duplex Capability | 1, link partner 10BT full-duplex capable. 0, link partner not 10BT full-duplex capable. | RO | 0 |
| 0 | Partner 10BT Half-Duplex Capability | 1, link partner 10BT half-duplex capable. 0, link partner not 10BT half-duplex capable. | RO | 0 |

Register 31 (0x1F): Port 1 Control 7 and Status 2**Register 47 (0x2F): Port 2 Control 7 and Status 2****Register 63 (0x3F): Port 3 Control 7 and Status 2****Register 79 (0x4F): Port 4 Control 7 and Status 2****Register 95 (0x5F): Port 5 Control 7 and Status 2**

| Address | Name | Description | Mode | Default |
|---------|--------------|----------------------------------------------------------------------------------------------------------------------------------------------------------------------------------------------------------------------------------------------------------------------------------------------------------------------------------------------------------------------------------------------------------------------------------------------------------------------------------------|----------|---------|
| 7 | PHY Loopback | 1 = Perform PHY loopback, loop back path as follows: E.g. set port 1 PHY Loopback (reg. 31, bit 7 = '1') Use the port 2 as monitor port. The packets will transfer. Start: Port 2 receiving (also can start from port 3, 4, 5). Loopback: PMD/PMA of Port 1's PHY End: Port 2 transmitting (also can end at Port 3, 4, 5 respectively). Setting reg. 47, 63, 79, 95, bit 7 = '1' will perform PHY loopback on port 2, 3, 4, 5 respectively. 0 = Normal Operation. | R/W | 0 |
| 6 | Reserved | | RO | 0 |
| 5 | PHY Isolate | 1, electrical isolation of PHY from MII/RMII and TX+/TX-. 0, normal operation. | R/W | 0 |
| 4 | Soft Reset | 1, PHY soft reset. This bit is self clear. 0, normal operation. | R/W (SC) | 0 |
| 3 | Force Link | 1, force link in the PHY. 0, normal operation | R/W | 0 |

Port Registers (Continued)

| Address | Name | Description | Mode | Default |
|---------|--------------------------------|----------------------------------------------------------------------------------------------------------------------------------------------------------------------------------------------------------------------------------------------------------------------------------------|------|---------|
| 2-0 | Port Operation Mode Indication | Indicate the current state of port operation mode: [000] = Reseved [001] = still in auto-negotiation [010] = 10BASE-T half duplex [011] = 100BASE-TX half duplex [100] = Reserved [101] = 10BASE-T full duplex [110] = 100BASE-TX full duplex [111] = Reserved | RO | 000 |

Note:

Port Control 12 and 13, 14 and Port Status 1,2 contents can be accessed by MIIM (MDC/MDIO) interface via the standard MIIM register definition.

Advanced Control Registers

Registers 104 to 109 define the switching engine's MAC address. This 48-bit address is used as the source address in MAC pause control frames.

| Address | Name | Description | Mode | Default |
|----------------------------------------------------|-------------|-------------|------|---------|
| Register 104 (0x68): MAC Address Register 0 | | | | |
| 7-0 | MACA[47:40] | | R/W | 0x00 |
| Register 105 (0x69): MAC Address Register 1 | | | | |
| 7-0 | MACA[39:32] | | R/W | 0x10 |
| Register 106 (0x6A): MAC Address Register 2 | | | | |
| 7-0 | MACA[31:24] | | R/W | 0xA1 |
| Register 107 (0x6B): MAC Address Register 3 | | | | |
| 7-0 | MACA[23:16] | | R/W | 0xff |
| Register 108 (0x6C): MAC Address Register 4 | | | | |
| 7-0 | MACA[15:8] | | R/W | 0xff |
| Register 109 (0x6D): MAC Address Register 5 | | | | |
| 7-0 | MACA[7:0] | | R/W | 0xff |

Use registers 110 and 111 to read or write data to the static MAC address table, VLAN table, dynamic address table, or the MIB counters.

| Address | Name | Description | Mode | Default |
|-------------------------------------------------------|---------------------|--------------------------------------------------------------------------------------------------------------------------------------------|------|---------|
| Register 110 (0x6E): Indirect Access Control 0 | | | | |
| 7-5 | Reserved | Reserved. | R/W | 000 |
| 4 | Read High Write Low | 1, read cycle. 0, write cycle. | R/W | 0 |
| 3-2 | Table Select | 00 = static mac address table selected. 01 = VLAN table selected. 10 = dynamic address table selected. 11 = MIB counter selected. | R/W | 0 |

Advanced Control Registers (Continued)

| Address | Name | Description | Mode | Default |
|-------------------------------------------------------|-----------------------|------------------------------|------|----------|
| 1-0 | Indirect Address High | Bit 9-8 of indirect address. | R/W | 00 |
| Address | Name | Description | Mode | Default |
| Register 111 (0x6F): Indirect Access Control 1 | | | | |
| 7-0 | Indirect Address Low | Bit 7-0 of indirect address. | R/W | 00000000 |

Note:

Write to Register 111 will actually trigger a command. Read or write access will be decided by bit 4 of Register 110.

| Address | Name | Description | Mode | Default |
|------------------------------------------------------|---------------|-------------------------------|------|----------|
| Register 112 (0x70): Indirect Data Register 8 | | | | |
| 68-64 | Indirect Data | Bit 68-64 of indirect data. | R/W | 00000 |
| Register 113 (0x71): Indirect Data Register 7 | | | | |
| 63-56 | Indirect Data | Bit 63-56 of indirect data. | R/W | 00000000 |
| Register 114 (0x72): Indirect Data Register 6 | | | | |
| 55-48 | Indirect Data | Bit 55-48 of indirect data. | R/W | 00000000 |
| Register 115 (0x73): Indirect Data Register 5 | | | | |
| 47-40 | Indirect Data | Bit 47-40 of indirect data. | R/W | 00000000 |
| Register 116 (0x74): Indirect Data Register 4 | | | | |
| 39-32 | Indirect Data | Bit 39-32 of indirect data. | R/W | 00000000 |
| Register 117 (0x75): Indirect Data Register 3 | | | | |
| 31-24 | Indirect Data | Bit of 31-24 of indirect data | R/W | 00000000 |
| Register 118 (0x76): Indirect Data Register 2 | | | | |
| 23-16 | Indirect Data | Bit 23-16 of indirect data. | R/W | 00000000 |
| Register 119 (0x77): Indirect Data Register 1 | | | | |
| 15-8 | Indirect Data | Bit 15-8 of indirect data. | R/W | 00000000 |
| Register 120 (0x78): Indirect Data Register 0 | | | | |
| 7-0 | Indirect Data | Bit 7-0 of indirect data. | R/W | 00000000 |

Advanced Control Registers (Continued)

| Address | Name | Description | Mode | Default |
|-------------------------------------------------------|-------------------------|----------------------------------------------------------------------------------------------------------------------------|------|---------|
| Register 124 (0x7C): Interrupt Status Register | | | | |
| 7 – 5 | Reserved | Reserved. | RO | 000 |
| 4 | Port 5 Interrupt Status | 1, Port 5 interrupt request 0, normal Note: This bit is set by Port 5 link change. Write a "1" to clear this bit | RO | 0 |
| 3 | Port 4 Interrupt Status | 1, Port 4 interrupt request 0, normal Note: This bit is set by Port 4 link change. Write a "1" to clear this bit | RO | 0 |
| 2 | Port 3 Interrupt Status | 1, Port 3 interrupt request 0, normal Note: This bit is set by Port 3 link change. Write a "1" to clear this bit | RO | 0 |
| 1 | Port 2 Interrupt Status | 1, Port 2 interrupt request 0, normal Note: This bit is set by Port 2 link change. Write a "1" to clear this bit | RO | 0 |
| 0 | Port 1 Interrupt Status | 1, Port 1 interrupt request 0, normal Note: This bit is set by Port 1 link change. Write a "1" to clear this bit | RO | 0 |
| Register 125 (0x7D): Interrupt Mask Register | | | | |
| 7 – 5 | Reserved | Reserved. | RO | 000 |
| 4 | Port 5 Interrupt Mask | 1, Port 5 interrupt mask 0, normal | R/W | 0 |
| 3 | Port 4 Interrupt Mask | 1, Port 4 interrupt mask 0, normal | R/W | 0 |
| 2 | Port 3 Interrupt Mask | 1, Port 3 interrupt mask 0, normal | R/W | 0 |
| 1 | Port 2 Interrupt Mask | 1, Port 2 interrupt mask 0, normal | R/W | 0 |
| 0 | Port 1 Interrupt Mask | 1, Port 1 interrupt mask 0, normal | R/W | 0 |

Advanced Control Registers (Continued)

The registers 128, 129 can be used to map from 802.1p priority field 0-7 to switch's four priority queues 0-3, 0x3 is highest priority queues as priority 3, 0x0 is lowest priority queues as priority 0.

| Address | Name | Description | Mode | Default |
|-----------------------------------------------|-------------------------------------------------------------------------------------------------|--------------------------------------------------------------------------------------------------------------------------------------------------------------------------------------------------------------------------------------------------------------------------------------------------------------------------------------------------------------------------------------------------------------------------------------------------------------------------------------------------------------------------------------------------------------------------------------------------------------------------------------------------------------------------------------------------------|------|---------|
| Register 128 (0x80): Global Control 12 | | | | |
| 7 – 6 | Tag_0x3 | IEEE 802.1p mapping. The value in this field is used as the frame's priority when its IEEE 802.1p tag has a value of 0x3. | R/W | 0x1 |
| 5 – 4 | Tag_0x2 | IEEE 802.1p mapping. The value in this field is used as the frame's priority when its IEEE 802.1p tag has a value of 0x2. | R/W | 0x1 |
| 3 – 2 | Tag_0x1 | IEEE 802.1p mapping. The value in this field is used as the frame's priority when its IEEE 802.1p tag has a value of 0x1. | R/W | 0x0 |
| 1 – 0 | Tag_0x0 | IEEE 802.1p mapping. The value in this field is used as the frame's priority when its IEEE 802.1p tag has a value of 0x0. | R/W | 0x0 |
| Register 129 (0x81): Global Control 13 | | | | |
| 7 – 6 | Tag_0x7 | IEEE 802.1p mapping. The value in this field is used as the frame's priority when its IEEE 802.1p tag has a value of 0x7. | R/W | 0x3 |
| 5 – 4 | Tag_0x6 | IEEE 802.1p mapping. The value in this field is used as the frame's priority when its IEEE 802.1p tag has a value of 0x6. | R/W | 0x3 |
| 3 – 2 | Tag_0x5 | IEEE 802.1p mapping. The value in this field is used as the frame's priority when its IEEE 802.1p tag has a value of 0x5. | R/W | 0x2 |
| 1 – 0 | Tag_0x4 | IEEE 802.1p mapping. The value in this field is used as the frame's priority when its IEEE 802.1p tag has a value of 0x4. | R/W | 0x2 |
| Register 130 (0x82): Global Control 14 | | | | |
| 7 – 6 | Pri_2Q[1:0] (Note that program Prio_2Q[1:0] = 01 is not supported and should be avoided) | When the 2 Queues configuration is selected, these Pri_2Q[1:0] bits are used to map the 2-bit result of IEEE 802.1p from register 128/129 or TOS/DiffServ from register 144- 159 mapping (for 4 Queues) into two queues low/high priorities. 2-bit result of IEEE 802.1p or TOS/DiffServ 00 (0) = map to Low priority queue 01 (1) = Prio_2Q[0] map to Low/High priority queue 10 (2) = Prio_2Q[1] map to Low/High priority queue 11 (3) = map to High priority queue Pri_2Q[1:0] = 00: Result 0,1,2 are low priority. 3 is high priority. 10: Result 0,1 are low priority. 2,3 are high priority (default). 11: Result 0 is low priority. 1,2,3 are high priority. | R/W | 10 |
| 5 | Reserved | N/A Don't change. | RO | 0 |
| 4 | Reserved | N/A Don't change. | RO | 0 |
| 3 – 2 | Reserved | N/A Don't change. | RO | 01 |
| 1 | Reserved | N/A Don't change. | RO | 0 |

Advanced Control Registers (Continued)

| Address | Name | Description | Mode | Default |
|-----------------------------------------------|----------------------------------------------------------------------|--------------------------------------------------------------------------------------------------------------------------------------------------------------------------------------------------------------------------------------------------------------------------------------------------|------|---------------------------------------------------------------------------------------------------------------------------------------------------------------------------|
| 0 | Reserved | N/A Don't change. | RO | 0. |
| Register 131 (0x83): Global Control 15 | | | | |
| 7 | Reserved | N/A | RO | 0 |
| 6 | Reserved | N/A | RO | 0 |
| 5 | Unknown unicast packet forward | 1 = enable supporting unknown unicast packet forward 0 = disable | R/W | 0 |
| 4 – 0 | Unknown unicast packet forward port map | 00000 = filter unknown unicast packet 00001 = forward unknown unicast packet to port 1 00011 = forward unknown unicast packet to port 1, port 2 ... 11111 = broadcast unknown unicast packet to all ports | R/W | 00000 |
| Register 132 (0x84): Global Control 16 | | | | |
| 7 – 6 | Chip I/O output drive strength select[1:0] | Output drive strength select[1:0] = 00 = 4mA drive strength 01 = 8mA drive strength (default) 10 = 12mA drive strength 11 = 16 mA drive strength Note: bit[1] value is the INVERT of the strap value at the pin. Bit[0] value is the SAME of the strap value at the pin | R/W | 01 Pin LED[3][0] strap option. Pull-down (0): Select 12mA drive strength. Pull-up (1): Select 8mA drive strength. Note: LED[3][0] has internal pull-up. |
| 5 | Unknown multicast packet forward (not including IP multicast packet) | 1 = enable supporting unknown multicast packet forward 0 = disable | R/W | 0 |
| 4 – 0 | Unknown multicast packet forward port map | 00000 = filter unknown multicast packet 00001 = forward unknown multicast packet to port 1 00011 = forward unknown multicast packet to port 1, port 2 ... 11111 = broadcast unknown multicast packet to all ports | R/W | 00000 |
| Register 133(0x85): Global Control 17 | | | | |
| 7 – 6 | Reserved | | RO | 00 |
| 5 | Unknown VID packet forward | 1 = enable supporting unknown VID packet forward 0 = disable | R/W | 0 |
| 4 – 0 | Unknown VID packet forward port map | 00000 = filter unknown VID packet 00001 = forward unknown VID packet to port 1 00011 = forward unknown VID packet to port 1, port 2 ... 11111 = broadcast unknown VID packet to all ports | R/W | 00000 |

Advanced Control Registers (Continued)

| Address | Name | Description | Mode | Default |
|-------------------------------------------------------------------------------------------------------------------------------------------------------------------------------------------------------------------------------------------------------------------------------------------------------------------------------------------------------------------------------------------------------|-------------------------------------------------|------------------------------------------------------------------------------------------------------------------------------------------------------------------------------------------------------------------------------------------------------------------------|------|---------|
| Register 134 (0x86): Global Control 18 | | | | |
| 7 | Reserved | N/A | RO | 0 |
| 6 | Self Address Filter Enable | 1 = Enable filtering of self-address unicast and multicast packet 0 = Do not filter self-address packet Note: The self-address filtering will filter packets on the egress port, self MAC address is assigned in the register 104-109. | R/W | 0 |
| 5 | Unknown IP multicast packet forward | 1 = enable supporting unknown IP multicast packet forward 0 = disable | R/W | 0 |
| 4 – 0 | Unknown IP multicast packet forward port map | 00000 = filter unknown IP multicast packet 00001 = forward unknown IP multicast packet to port 1 00011 = forward unknown IP multicast packet to port 1, port 2 ... 11111 = broadcast unknown IP multicast packet to all ports | R/W | 00000 |
| Register 135 (0x87): Global Control 19 | | | | |
| 7 | Reserved | N/A Don't change. | RO | 0 |
| 6 | Reserved | N/A Don't change. | RO | 0 |
| 5 – 4 | Ingress Rate Limit Period | The unit period for calculating Ingress Rate Limit 00 = 16 ms 01 = 64 ms 1x = 256 ms | R/W | 01 |
| 3 | Queue-based Egress Rate Limit Enabled | Enable Queue-based Egress Rate Limit 0 = port-base Egress Rate Limit (default) 1 = queue-based Egress Rate Limit | R/W | 0 |
| 2 | Insertion Source Port PVID Tag Selection Enable | 1 = enable source port PVID tag insertion or non-insertion option on the egress port for each source port PVID based on the ports registers control 8. 0 = disable, all packets from any ingress port will be inserted PVID based on port register control 0 bit 2. | R/W | 0 |
| 1 – 0 | Reserved | N/A Don't change | RO | 00 |
| Register 144 (0x90): TOS Priority Control Register 0 | | | | |
| The Ipv4/Ipv6 TOS priority control registers implement a fully decoded 64 bit differentiated services code point (DSCP) register used to determine priority from the 6 bit TOS field in the IP header. The most significant 6 bits of the TOS field are fully decoded into 64 possibilities, and the singular code that results is mapped to the value in the corresponding bit in the DSCP register. | | | | |
| 7 – 6 | DSCP[7:6] | Ipv4 and Ipv6 mapping The value in this field is used as the frame's priority when bits[7:2] of the frame's IP TOS/DiffServ/Traffic Class value is 0x03 | R/W | 00 |
| 5 – 4 | DSCP[5:4] | Ipv4 and Ipv6 mapping The value in this field is used as the frame's priority when bits[7:2] of the frame's IP TOS/DiffServ/Traffic Class value is 0x02 | R/W | 00 |
| 3 – 2 | DSCP[3:2] | Ipv4 and Ipv6 mapping The value in this field is used as the frame's priority when bits[7:2] of the frame's IP TOS/DiffServ/Traffic Class value is 0x01 | R/W | 00 |

Advanced Control Registers (Continued)

| Address | Name | Description | Mode | Default |
|-------------------------------------------------------------|-------------|-------------------------------------------------------------------------------------------------------------------------------------------------------------------|------|---------|
| 1 – 0 | DSCP[1:0] | Ipv4 and Ipv6 mapping The value in this field is used as the frame's priority when bits[7:2] of the frame's IP TOS/DiffServ/Traffic Class value is 0x00 | R/W | 00 |
| Register 145 (0x91): TOS Priority Control Register 1 | | | | |
| 7 – 6 | DSCP[15:14] | Ipv4 and Ipv6 mapping _ for value 0x07 | R/W | 00 |
| 5 – 4 | DSCP[13:12] | Ipv4 and Ipv6 mapping _ for value 0x06 | R/W | 00 |
| 3 – 2 | DSCP[11:10] | Ipv4 and Ipv6 mapping _ for value 0x05 | R/W | 00 |
| 1 – 0 | DSCP[9:8] | Ipv4 and Ipv6 mapping _ for value 0x04 | R/W | 00 |
| Register 146 (0x92): TOS Priority Control Register 2 | | | | |
| 7 – 6 | DSCP[23:22] | Ipv4 and Ipv6 mapping _ for value 0x0B | R/W | 00 |
| 5 – 4 | DSCP[21:20] | Ipv4 and Ipv6 mapping _ for value 0x0A | R/W | 00 |
| 3 – 2 | DSCP[19:18] | Ipv4 and Ipv6 mapping _ for value 0x09 | R/W | 00 |
| 1 – 0 | DSCP[17:16] | Ipv4 and Ipv6 mapping _ for value 0x08 | R/W | 00 |
| Register 147 (0x93): TOS Priority Control Register 3 | | | | |
| 7 – 6 | DSCP[31:30] | Ipv4 and Ipv6 mapping _ for value 0x0F | R/W | 00 |
| 5 – 4 | DSCP[29:28] | Ipv4 and Ipv6 mapping _ for value 0x0E | R/W | 00 |
| 3 – 2 | DSCP[27:26] | Ipv4 and Ipv6 mapping _ for value 0x0D | R/W | 00 |
| 1 – 0 | DSCP[25:24] | Ipv4 and Ipv6 mapping _ for value 0x0C | R/W | 00 |
| Register 148 (0x94): TOS Priority Control Register 4 | | | | |
| 7 – 6 | DSCP[39:38] | Ipv4 and Ipv6 mapping _ for value 0x13 | R/W | 00 |
| 5 – 4 | DSCP[37:36] | Ipv4 and Ipv6 mapping _ for value 0x12 | R/W | 00 |
| 3 – 2 | DSCP[35:34] | Ipv4 and Ipv6 mapping _ for value 0x11 | R/W | 00 |
| 1 – 0 | DSCP[33:32] | Ipv4 and Ipv6 mapping _ for value 0x10 | R/W | 00 |
| Register 149 (0x95): TOS Priority Control Register 5 | | | | |
| 7 – 6 | DSCP[47:46] | Ipv4 and Ipv6 mapping _ for value 0x17 | R/W | 00 |
| 5 – 4 | DSCP[45:44] | Ipv4 and Ipv6 mapping _ for value 0x16 | R/W | 00 |
| 3 – 2 | DSCP[43:42] | Ipv4 and Ipv6 mapping _ for value 0x15 | R/W | 00 |
| 1 – 0 | DSCP[41:40] | Ipv4 and Ipv6 mapping _ for value 0x14 | R/W | 00 |
| Register 150 (0x96): TOS Priority Control Register 6 | | | | |
| 7 – 6 | DSCP[55:54] | Ipv4 and Ipv6 mapping _ for value 0x1B | R/W | 00 |
| 5 – 4 | DSCP[53:52] | Ipv4 and Ipv6 mapping _ for value 0x1A | R/W | 00 |
| 3 – 2 | DSCP[51:50] | Ipv4 and Ipv6 mapping _ for value 0x19 | R/W | 00 |
| 1 – 0 | DSCP[49:48] | Ipv4 and Ipv6 mapping _ for value 0x18 | R/W | 00 |

Advanced Control Registers (Continued)

| Address | Name | Description | Mode | Default |
|--------------------------------------------------------------|---------------|----------------------------------------|------|---------|
| Register 151 (0x97): TOS Priority Control Register 7 | | | | |
| 7 – 6 | DSCP[63:62] | Ipv4 and Ipv6 mapping _ for value 0x1F | R/W | 00 |
| 5 – 4 | DSCP[61:60] | Ipv4 and Ipv6 mapping _ for value 0x1E | R/W | 00 |
| 3 – 2 | DSCP[59:58] | Ipv4 and Ipv6 mapping _ for value 0x1D | R/W | 00 |
| 1 – 0 | DSCP[57:56] | Ipv4 and Ipv6 mapping _ for value 0x1C | R/W | 00 |
| Register 152 (0x98): TOS Priority Control Register 8 | | | | |
| 7 – 6 | DSCP[71:70] | Ipv4 and Ipv6 mapping _ for value 0x23 | R/W | 00 |
| 5 – 4 | DSCP[69:68] | Ipv4 and Ipv6 mapping _ for value 0x22 | R/W | 00 |
| 3 – 2 | DSCP[67:66] | Ipv4 and Ipv6 mapping _ for value 0x21 | R/W | 00 |
| 1 – 0 | DSCP[65:64] | Ipv4 and Ipv6 mapping _ for value 0x20 | R/W | 00 |
| Register 153 (0x99): TOS Priority Control Register 9 | | | | |
| 7 – 6 | DSCP[79:78] | Ipv4 and Ipv6 mapping _ for value 0x27 | R/W | 00 |
| 5 – 4 | DSCP[77:76] | Ipv4 and Ipv6 mapping _ for value 0x26 | R/W | 00 |
| 3 – 2 | DSCP[75:74] | Ipv4 and Ipv6 mapping _ for value 0x25 | R/W | 00 |
| 1 – 0 | DSCP[73:72] | Ipv4 and Ipv6 mapping _ for value 0x24 | R/W | 00 |
| Register 154 (0x9A): TOS Priority Control Register 10 | | | | |
| 7 – 6 | DSCP[87:86] | Ipv4 and Ipv6 mapping _ for value 0x2B | R/W | 00 |
| 5 – 4 | DSCP[85:84] | Ipv4 and Ipv6 mapping _ for value 0x2A | R/W | 00 |
| 3 – 2 | DSCP[83:82] | Ipv4 and Ipv6 mapping _ for value 0x29 | R/W | 00 |
| 1 – 0 | DSCP[81:80] | Ipv4 and Ipv6 mapping _ for value 0x28 | R/W | 00 |
| Register 155 (0x9B): TOS Priority Control Register 11 | | | | |
| 7 – 6 | DSCP[95:94] | Ipv4 and Ipv6 mapping _ for value 0x2F | R/W | 00 |
| 5 – 4 | DSCP[93:92] | Ipv4 and Ipv6 mapping _ for value 0x2E | R/W | 00 |
| 3 – 2 | DSCP[91:90] | Ipv4 and Ipv6 mapping _ for value 0x2D | R/W | 00 |
| 1 – 0 | DSCP[89:88] | Ipv4 and Ipv6 mapping _ for value 0x2C | R/W | 00 |
| Register 156 (0x9C): TOS Priority Control Register 12 | | | | |
| 7 – 6 | DSCP[103:102] | Ipv4 and Ipv6 mapping _ for value 0x33 | R/W | 00 |
| 5 – 4 | DSCP[101:100] | Ipv4 and Ipv6 mapping _ for value 0x32 | R/W | 00 |
| 3 – 2 | DSCP[99:98] | Ipv4 and Ipv6 mapping _ for value 0x31 | R/W | 00 |
| 1 – 0 | DSCP[97:96] | Ipv4 and Ipv6 mapping _ for value 0x30 | R/W | 00 |

Advanced Control Registers (Continued)

| Address | Name | Description | Mode | Default |
|----------------------------------------------------------------------------------------------------------------------------------------------------------------------------------------------------------------------------------------------|--------------------------------------------------------------------------------------------------------------------------------------|----------------------------------------------------------------------------------------------------------------------------------------------------------------------------------------------------------------------------------------------------------------------------------------------------------------------------------------------------------------------------------------------------------|------|---------|
| Register 157 (0x9D): TOS Priority Control Register 13 | | | | |
| 7 – 6 | DSCP[111:110] | Ipv4 and Ipv6 mapping _ for value 0x37 | R/W | 00 |
| 5 – 4 | DSCP[109:108] | Ipv4 and Ipv6 mapping _ for value 0x36 | R/W | 00 |
| 3 – 2 | DSCP[107:106] | Ipv4 and Ipv6 mapping _ for value 0x35 | R/W | 00 |
| 1 – 0 | DSCP[105:104] | Ipv4 and Ipv6 mapping _ for value 0x34 | R/W | 00 |
| Register 158 (0x9E): TOS Priority Control Register 14 | | | | |
| 7 – 6 | DSCP[119:118] | Ipv4 and Ipv6 mapping _ for value 0x3B | R/W | 00 |
| 5 – 4 | DSCP[117:116] | Ipv4 and Ipv6 mapping _ for value 0x3A | R/W | 00 |
| 3 – 2 | DSCP[115:114] | Ipv4 and Ipv6 mapping _ for value 0x39 | R/W | 00 |
| 1 – 0 | DSCP[113:112] | Ipv4 and Ipv6 mapping _ for value 0x38 | R/W | 00 |
| Register 159 (0x9F): TOS Priority Control Register 15 | | | | |
| 7 – 6 | DSCP[127:126] | Ipv4 and Ipv6 mapping _ for value 0x3F | R/W | 00 |
| 5 – 4 | DSCP[125:124] | Ipv4 and Ipv6 mapping _ for value 0x3E | R/W | 00 |
| 3 – 2 | DSCP[123:122] | Ipv4 and Ipv6 mapping _ for value 0x3D | R/W | 00 |
| 1 – 0 | DSCP[121:120] | Ipv4 and Ipv6 mapping _ for value 0x3C | R/W | 00 |
| Register 176 (0xB0): Port 1 Control 8 Register 192 (0xC0): Port 2 Control 8 Register 208 (0xD0): Port 3 Control 8 Register 224 (0xE0): Port 4 Control 8 Register 240 (0xF0): Port 5 Control 8 | | | | |
| 7 – 4 | Reserved | | RO | 0000 |
| 3 | Insert Source Port PVID for Untagged Packet Destination to Highest Egress Port Note: Enabled by the register 135 bit 2 | Register 176: insert source Port 1 PVID for untagged frame at egress Port 5 Register 192: insert source Port 2 PVID for untagged frame at egress Port 5 Register 208: insert source Port 3 PVID for untagged frame at egress Port 5 Register 224: insert source Port 4 PVID for untagged frame at egress Port 5 Register 240: insert source Port 5 PVID for untagged frame at egress Port 4 | R/W | 0 |
| 2 | Insert Source Port PVID for Untagged Packet Destination to Second Highest Egress Port Note: Enabled by the register 135 bit 2 | Register 176: insert source Port 1 PVID for untagged frame at egress pPort 4 Register 192: insert source Port 2 PVID for untagged frame at egress Port 4 Register 208: insert source Port 3 PVID for untagged frame at egress Port 4 Register 224: insert source Port 4 PVID for untagged frame at egress Port 3 Register 240: insert source Port 5 PVID for untagged frame at egress Port 3 | R/W | 0 |

Advanced Control Registers (Continued)

| Address | Name | Description | Mode | Default |
|----------------------------------------------------------------------------------------------------------------------------------------------------------------------------------------------------------------------------------------------|-------------------------------------------------------------------------------------------------------------------------------------|-----------------------------------------------------------------------------------------------------------------------------------------------------------------------------------------------------------------------------------------------------------------------------------------------------------------------------------------------------------------------------------------------------------------------------------------------------------------------------------------------------------------------|------|---------|
| 1 | Insert Source Port PVID for Untagged Packet Destination to Second Lowest Egress Port Note: Enabled by the register 135 bit 2 | Register 176: insert source Port 1 PVID for untagged frame at egress Port 3 Register 192: insert source Port 2 PVID for untagged frame at egress Port 3 Register 208: insert source Port 3 PVID for untagged frame at egress Port 2 Register 224: insert source Port 4 PVID for untagged frame at egress Port 2 Register 240: insert source Port 5 PVID for untagged frame at egress Port 2 | R/W | 0 |
| 0 | Insert Source Port PVID for Untagged Packet Destination to Lowest Egress Port Note: Enabled by the register 135 bit 2 | Register 176: insert source Port 1 PVID for untagged frame at egress Port 2 Register 192: insert source Port 2 PVID for untagged frame at egress Port 1 Register 208: insert source Port 3 PVID for untagged frame at egress Port 1 Register 224: insert source Port 4 PVID for untagged frame at egress Port 1 Register 240: insert source Port 5 PVID for untagged frame at egress Port 1 | R/W | 0 |
| Register 177 (0xB1): Port 1 Control 9 Register 193 (0xC1): Port 2 Control 9 Register 209 (0xD1): Port 3 Control 9 Register 225 (0xE1): Port 4 Control 9 Register 241 (0xF1): Port 5 Control 9 | | | | |
| 7 – 2 | Reserved | | RO | 0000000 |
| 1 | 4 Queue Split Enable | This bit in combination with Register16/32/48/64/80 bit 0 will select the split of 1/2/4 queues: {Register177 bit 1, Register16 bit 0} = 11, reserved. 10, the port output queue is split into four priority queues or if map 802.1p to priority 0-3 mode. 01, the port output queue is split into two priority queues or if map 802.1p to priority 0-3 mode. 00, single output queue on the port. There is no priority differentiation even though packets are classified into high and low priority. | R/W | 0 |
| 0 | Enable Dropping Tag | 0 = disable tag drop 1 = enable tag drop | R/W | 0 |

Advanced Control Registers (Continued)

| Address | Name | Description | Mode | Default |
|---------------------------------------------------------------------------------------------------------------------------------------------------------------------------------------------------------------------------------------------------|------------------------------------|---------------------------------------------------------------------------------------------------------------------------------------------------------------------------------------------------------------------------------|------|---------|
| Register 178 (0xB2): Port 1 Control 10 Register 194 (0xC2): Port 2 Control 10 Register 210 (0xD2): Port 3 Control 10 Register 226 (0xE2): Port 4 Control 10 Register 242 (0xF2): Port 5 Control 10 | | | | |
| 7 | Enable Port Transmit Queue 3 Ratio | 0, strict priority, will transmit all the packets from this priority queue 3 before transmit lower priority queue. 1, bit[6:0] reflect the packet number allow to transmit from this priority queue 3 within a certain time. | R/W | 1 |
| 6-0 | Port Transmit Queue 3 Ratio[6:0] | Packet number for Transmit Queue 3 for highest priority packets in four queues mode. | R/W | 0001000 |
| Register 179 (0xB3): Port 1 Control 11 Register 195 (0xC3): Port 2 Control 11 Register 211 (0xD3): Port 3 Control 11 Register 227 (0xE3): Port 4 Control 11 Register 243 (0xF3): Port 5 Control 11 | | | | |
| 7 | Enable Port Transmit Queue 2 Ratio | 0, strict priority, will transmit all the packets from this priority queue 2 before transmit lower priority queue. 1, bit[6:0] reflect the packet number allow to transmit from this priority queue 1 within a certain time. | R/W | 1 |
| 6-0 | Port Transmit Queue 2 Ratio[6:0] | Packet number for Transmit Queue 2 for high/low priority packets in high/low priority packets in four queues mode. | R/W | 0000100 |
| Register 180 (0xB4): Port 1 Control 12 Register 196 (0xC4): Port 2 Control 12 Register 212 (0xD4): Port 3 Control 12 Register 228 (0xE4): Port 4 Control 12 Register 244 (0xF4): Port 5 Control 12 | | | | |
| 7 | Enable Port Transmit Queue 1 Rate | 0, strict priority, will transmit all the packets from this priority queue 1 before transmit lower priority queue. 1, bit[6:0] reflect the packet number allow to transmit from this priority queue 1 within a certain time. | R/W | 1 |
| 6-0 | Port Transmit Queue 1 Ratio[6:0] | Packet number for Transmit Queue 1 for low/high priority packets in four queues mode and high priority packets in two queues mode. | R/W | 0000010 |

Advanced Control Registers (Continued)

| Address | Name | Description | Mode | Default |
|-------------------------------------------------------------------------------------------------------------------------------------------------------------------------------------------------------------------------------------------------------------------------------------------|----------------------------------------|-------------------------------------------------------------------------------------------------------------------------------------------------------------------------------------------------------------------------------------------------------------------------------------------------------------------------------------------------------------|------|---------|
| Register 181 (0xB5): Port 1 Control 13 Register 197 (0xC5): Port 2 Control 13 Register 213 (0xD5): Port 3 Control 13 Register 229 (0xE5): Port 4 Control 13 Register 245 (0xF5): Port 5 Control 13 | | | | |
| 7 | Enable Port Transmit Queue 0 Rate | 0, strict priority, will transmit all the packets from this priority queue 0 before transmit lower priority queue. 1, bit[6:0] reflect the packet number allow to transmit from this priority queue 0 within a certain time. | R/W | 1 |
| 6 – 0 | Port Transmit Queue 0 Ratio[6:0] | packet number for Transmit Queue 0 for lowest priority packets in four queues mode and low priority packets in two queues mode. | R/W | 000001 |
| Register 182 (0xB6): Port 1 Rate Limit Control Register 198 (0xC6): Port 2 Rate Limit Control Register 214 (0xD6): Port 3 Rate Limit Control Register 230 (0xE6): Port 4 Rate Limit Control Register 246 (0xF6): Port 5 Rate Limit Control | | | | |
| 7 – 5 | Reserved | | RO | 000 |
| 4 | Ingress Rate Limit Flow Control Enable | 1 = Flow Control is asserted if the port's receive rate is exceeded. 0 = Flow Control is not asserted if the port's receive rate is exceeded. | R/W | 0 |
| 3 – 2 | Limit Mode | Ingress Limit Mode These bits determine what kinds of frames are limited and counted against ingress rate limiting. = 00, limit and count all frames. = 01, limit and count Broadcast, Multicast, and flooded unicast frames. = 10, limit and count Broadcast and Multicast frames only. = 11, limit and count Broadcast frames only. | R/W | 00 |
| 1 | Count IFG | Count IFG bytes = 1, each frame's minimum inter frame gap. (IFG) bytes (12 per frame) are included in Ingress and Egress rate limiting calculations. = 0, IFG bytes are not counted. | R/W | 0 |
| 0 | Count Pre | Count Preamble bytes = 1, each frame's preamble bytes (8 per frame) are included in Ingress and Egress rate limiting calculations. = 0, preamble bytes are not counted. | R/W | 0 |

Advanced Control Registers (Continued)

| Address | Name | Description | Mode | Default |
|---------------------------------------------------------------------------------------------------------------------------------------------------------------------------------------------------------------------------------------------------------------------------------------------------------------------------------------------------------------------------|-------------------------------------|-------------------------------------------------------------------------------------------------------------------------------------------------------------------------------------------------------------|------|---------|
| Register 183 (0xB7): Port 1 Priority 0 Ingress Limit Control 1 Register 199 (0xC7): Port 2 Priority 0 Ingress Limit Control 1 Register 215 (0xD7): Port 3 Priority 0 Ingress Limit Control 1 Register 231 (0xE7): Port 4 Priority 0 Ingress Limit Control 1 Register 247 (0xF7): Port 5 Priority 0 Ingress Limit Control 1 | | | | |
| 7 | Reserved | | RO | 0 |
| 6 – 0 | Port Based Priority 0 Ingress Limit | Ingress data rate limit for priority 0 frames Ingress traffic from this port is shaped according to the Data Rate Selected Table. See the table follow the end of Egress limit control registers. | R/W | 0000000 |
| Register 184 (0xB8): Port 1 Priority 1 Ingress Limit Control 2 Register 200 (0xC8): Port 2 Priority 1 Ingress Limit Control 2 Register 216 (0xD8): Port 3 Priority 1 Ingress Limit Control 2 Register 232 (0xE8): Port 4 Priority 1 Ingress Limit Control 2 Register 248 (0xF8): Port 5 Priority 1 Ingress Limit Control 2 | | | | |
| 7 | Reserved | | RO | 0 |
| 6 – 0 | Port Based Priority 1 Ingress Limit | Ingress data rate limit for priority 1 frames Ingress traffic from this port is shaped according to the Data Rate Selected Table. See the table follow the end of Egress limit control registers. | R/W | 0000000 |
| Register 185 (0xB9): Port 1 Priority 2 Ingress Limit Control 3 Register 201 (0xC9): Port 2 Priority 2 Ingress Limit Control 3 Register 217 (0xD9): Port 3 Priority 2 Ingress Limit Control 3 Register 233 (0xE9): Port 4 Priority 2 Ingress Limit Control 3 Register 249 (0xF9): Port 5 Priority 2 Ingress Limit Control 3 | | | | |
| 7 | Reserved | | RO | 0 |
| 6 – 0 | Port Based Priority 2 Ingress Limit | Ingress data rate limit for priority 2 frames Ingress traffic from this port is shaped according to the Data Rate Selected Table. See the table follow the end of Egress limit control registers. | R/W | 0000000 |
| Register 186 (0xBA): Port 1 Priority 3 Ingress Limit Control 4 Register 202 (0xCA): Port 2 Priority 3 Ingress Limit Control 4 Register 218 (0xDA): Port 3 Priority 3 Ingress Limit Control 4 Register 234 (0xEA): Port 4 Priority 3 Ingress Limit Control 4 Register 250 (0xFA): Port 5 Priority 3 Ingress Limit Control 4 | | | | |
| 7 | Reserved | | RO | 0 |
| 6 – 0 | Port Based Priority 3 Ingress Limit | Ingress data rate limit for priority 3 frames Ingress traffic from this port is shaped according to the Data Rate Selected Table. See the table follow the end of Egress limit control registers. | R/W | 0000000 |

Advanced Control Registers (Continued)

| Address | Name | Description | Mode | Default |
|------------------------------------------------------------------------------------------------------------------------------------------------------------------------------------------------------------------------------------------------------------------------------------------------------------------------------------------------------------|---------------------------|------------------------------------------------------------------------------------------------------------------------------------------------------------------------------------------------------------------------------------------------------------------------------------------------------------|------|---------|
| Register 187 (0xBB): Port 1 Queue 0 Egress Limit Control 1 Register 203 (0xCB): Port 2 Queue 0 Egress Limit Control 1 Register 219 (0xDB): Port 3 Queue 0 Egress Limit Control 1 Register 235 (0xEB): Port 4 Queue 0 Egress Limit Control 1 Register 251 (0xFB): Port 5 Queue 0 Egress Limit Control 1 | | | | |
| 7 | Reserved | | RO | 0 |
| 6 – 0 | Port Queue 0 Egress Limit | Egress data rate limit for priority 0 frames Egress traffic from this priority queue is shaped according to the Data Rate Selected Table. See the table follow the end of Egress limit control registers. In four queues mode, it is lowest priority. In two queues mode, it is low priority. | R/W | 0000000 |
| Register 188 (0xBC) : Port 1 Queue 1 Egress Limit Control 2 Register 204 (0xCC) : Port 2 Queue 1 Egress Limit Control 2 Register 220 (0xDC) : Port 3 Queue 1 Egress Limit Control 2 Register 236 (0xEC) : Port 4 Queue 1 Egress Limit Control 2 Register 252 (0xFC) : Port 5 Queue 1 Egress Limit Control 2 | | | | |
| 7 | Reserved | | RO | 0 |
| 6 – 0 | Port Queue 1 Egress Limit | Egress data rate limit for priority 1 frames Egress traffic from this priority queue is shaped according to the Data Rate Selected Table. See the table follow the end of Egress limit control registers. In four queues mode, it is low/high priority. In two queues mode, it is high priority. | R/W | 0000000 |
| Register 189 (0xBD): Port 1 Queue 2 Egress Limit Control 3 Register 205 (0xCD): Port 2 Queue 2 Egress Limit Control 3 Register 221 (0xDD): Port 3 Queue 2 Egress Limit Control 3 Register 237 (0xED): Port 4 Queue 2 Egress Limit Control 3 Register 253 (0xFD): Port 5 Queue 2 Egress Limit Control 3 | | | | |
| 7 | Reserved | | RO | 0 |
| 6 – 0 | Port Queue 2 Egress Limit | Egress data rate limit for priority 2 frames Egress traffic from this priority queue is shaped according to the Data Rate Selected Table. See the table follow the end of Egress limit control registers. In four queues mode, it is high/low priority. | R/W | 0000000 |

Advanced Control Registers (Continued)

| Address | Name | Description | Mode | Default |
|----------------------------------------------------------------------------------------------------------------------------------------------------------------------------------------------------------------------------------------------------------------------------------------------------------------------------------------------------------|---------------------------|------------------------------------------------------------------------------------------------------------------------------------------------------------------------------------------------------------------------------------------------------------------|------|---------|
| Register 190 (0xBE) : Port 1 Queue 3 Egress Limit Control 4 Register 206 (0xCE) : Port 2 Queue 3 Egress Limit Control 4 Register 222 (0xDE) : Port 3 Queue 3 Egress Limit Control 4 Register 238 (0xEE): Port 4 Queue 3 Egress Limit Control 4 Register 254 (0xFE): Port 5 Queue 3 Egress Limit Control 4 | | | | |
| 7 | Reserved | | RO | 0 |
| 6 – 0 | Port Queue 3 Egress Limit | Egress data rate limit for priority 3 frames Egress traffic from this priority queue is shaped according to the Data Rate Selected Table. See the table follow the end of Egress limit control registers. In four queues mode, it is highest priority. | R/W | 0000000 |

Note:

1. In the port priority 0-3 ingress rate limit mode, will need to set all related ingress/egress ports to two queues or four queues mode.
2. In the port queue 0-3 egress rate limit mode, the highest priority get exact rate limit based on the rate select table, other priorities packets rate are based upon the ratio of the port register control 10/11/12/13 when use more than one egress queue per port.

Data Rate Selection Table in 100BT

| | |
|------------------------------|-----------------------------------------------------------------------------|
| Rate for 100BT mode | Priority/Queue 0-3 Ingress/egress limit Control Register bit[6:0] = decimal |
| 1 Mbps <= rate <= 99 Mbps | rate(decimal integer 1-99) |
| rate = 100 Mbps | 0 or 100 (decimal), '0' is default value |
| Less than 1Mbps see as below | Decimal |
| 64 Kbps | 7'd101 |
| 128 Kbps | 7'd102 |
| 192 Kbps | 7'd103 |
| 256 Kbps | 7'd104 |
| 320 Kbps | 7'd105 |
| 384 Kbps | 7'd106 |
| 448 Kbps | 7'd107 |
| 512 Kbps | 7'd108 |
| 576 Kbps | 7'd109 |
| 640 Kbps | 7'd110 |
| 704 Kbps | 7'd111 |
| 768 Kbps | 7'd112 |
| 832 Kbps | 7'd113 |
| 896 Kbps | 7'd114 |
| 960 Kbps | 7'd115 |

Table 13. 100BT Rate Selection for the Rate limit**Data Rate Selection Table in 10BT**

| | |
|------------------------------|-----------------------------------------------------------------------------|
| Rate for 10BT mode | Priority/Queue 0-3 Ingress/egress limit Control Register bit[6:0] = decimal |
| 1 Mbps <= rate <= 9 Mbps | rate(decimal integer 1-9) |
| rate = 10 Mbps | 0 or 10 (decimal), '0' is default value |
| Less than 1Mbps see as below | Decimal |
| 64 Kbps | 7'd101 |
| 128 Kbps | 7'd102 |
| 192 Kbps | 7'd103 |
| 256 Kbps | 7'd104 |
| 320 Kbps | 7'd105 |
| 384 Kbps | 7'd106 |
| 448 Kbps | 7'd107 |
| 512 Kbps | 7'd108 |
| 576 Kbps | 7'd109 |
| 640 Kbps | 7'd110 |
| 704 Kbps | 7'd111 |
| 768 Kbps | 7'd112 |
| 832 Kbps | 7'd113 |
| 896 Kbps | 7'd114 |
| 960 Kbps | 7'd115 |

Table 14. 10BT Rate Selection for the Rate Limit

| Address | Name | Description | Mode | Default |
|------------------------------------------------------|--------------------------------------------------------------------------|--------------------------------------------------------------------------------------------------------------------------------------------------------------------------------------------------------------------------------------------------------------------------------------------------------------------------|------|----------|
| Register 191(0xBF): Testing Register | | | | |
| 7 - 0 | Reserved | N/A | RO | 00000000 |
| Register 207(0xCF): Reserved Control Register | | | | |
| 7 - 0 | Reserved | N/A Don't change. | RO | 0x15 |
| Register 223(0xDF): Test Register 2 | | | | |
| 7 - 0 | Reserved | | R/W | 00000000 |
| Register 239(0xEF): Test Register 3 | | | | |
| 7 | Reserved | N/A Don't change. | RO | 0 |
| 6 | Reserved | N/A Don't change. | RO | 0 |
| 5 | Reserved | N/A Don't change. | RO | 1 |
| 4 - 0 | Reserved | N/A Don't change. | RO | 0x12 |
| Register 255(0xFF): Testing Register4 | | | | |
| 7 | Reserved | N/A Don't change. | RO | 0 |
| 6 | Invert phase of SMTXC clock input for SW5-RMII (Used for KSZ8895RQ only) | 1 = Invert the phase of SMTXC clock input in RMII mode, set this bit at normal mode device when connect two devices with SW5-RMII back to back connection case only. Please see strap pin LED2_2 for normal mode. 0 = normal phase if SMTXC clock input Note: MQ/FMQ are reserved with read only for this bit. | R/W | 0 |
| 5 - 0 | Reserved | N/A Don't change. | RO | 000000 |

Static MAC Address Table

KSZ8895MQ/RQ/FMQ has a static and a dynamic address table. When a DA look-up is requested, both tables will be searched to make a packet forwarding decision. When an SA look-up is requested, only the dynamic table is searched for aging, migration, and learning purposes. The static DA look-up result will have precedence over the dynamic DA look-up result. If there are DA matches in both tables, the result from the static table will be used. The static table can only be accessed and controlled by an external SPI master (usually a processor). The entries in the static table will not be aged out by KSZ8895MQ/RQ/FMQ. An external device does all addition, modification and deletion.

Note:

Register bit assignments are different for static MAC table reads and static MAC table write, as shown in the two tables below.

| Address | Name | Description | Mode | Default |
|-----------------------------------------------------------|------------------|----------------------------------------------------------------------------------------------------------------------------------------------------------------------------------------------------------------------------------------|------|---------|
| Format of Static MAC Table for Reads (32 entries) | | | | |
| 63-57 | FID | Filter VLAN ID, representing one of the 128 active VLANs. | RO | 0000000 |
| 56 | Use FID | 1, use (FID+MAC) to look-up in static table. 0, use MAC only to look-up in static table. | RO | 0 |
| 55 | Reserved | Reserved. | RO | N/A |
| 54 | Override | 1, override spanning tree "transmit enable = 0" or "receive enable = 0" setting. This bit is used for spanning tree implementation. 0, no override. | RO | 0 |
| 53 | Valid | 1, this entry is valid, the look-up result will be used. 0, this entry is not valid. | RO | 0 |
| 52-48 | Forwarding Ports | The 5 bits control the forward ports, example: 00001, forward to Port 1 00010, forward to Port 2 10000, forward to Port 5 00110, forward to Port 2 and Port 3 11111, broadcasting (excluding the ingress port) | RO | 00000 |
| 47-0 | MAC Address (DA) | 48 bit MAC address. | RO | 0x0 |
| Format of Static MAC Table for Writes (32 entries) | | | | |
| 62-56 | FID | Filter VLAN ID, representing one of the 128 active VLANs. | W | 0000000 |
| 55 | Use FID | 1, use (FID+MAC) to look-up in static table. 0, use MAC only to look-up in static table. | W | 0 |
| 54 | Override | 1, override spanning tree "transmit enable = 0" or "receive enable = 0" setting. This bit is used for spanning tree implementation. 0, no override. | W | 0 |
| 53 | Valid | 1, this entry is valid, the look-up result will be used. 0, this entry is not valid. | W | 0 |
| 52-48 | Forwarding Ports | The 5 bits control the forward ports, example: 00001, forward toPort 1 00010, forward to Port 2 10000, forward to Port 5 00110, forward to Port 2 and Port 3 11111, broadcasting (excluding the ingress port) | W | 00000 |
| 47-0 | MAC Address (DA) | 48-bit MAC address. | W | 0x0 |

Table 15. Static MAC Address Table

Examples:

- (1) Static Address Table Read (read the 2nd entry)
 - Write to Register 110 with 0x10 (read static table selected)
 - Write to Register 111 with 0x1 (trigger the read operation)
 - Then
 - Read Register 113 (63-56)
 - Read Register 114 (55-48)
 - Read Register 115 (47-40)
 - Read Register 116 (39-32)
 - Read Register 117 (31-24)
 - Read Register 118 (23-16)
 - Read Register 119 (15-8)
 - Read Register 120 (7-0)

- (2) Static Address Table Write (write the 8th entry)
 - Write to Register 110 with 0x10 (read static table selected)
 - Write Register 113 (62-56)
 - Write Register 114 (55-48)
 - Write Register 115 (47-40)
 - Write Register 116 (39-32)
 - Write Register 117 (31-24)
 - Write Register 118 (23-16)
 - Write Register 119 (15-8)
 - Write Register 120 (7-0)
 - Write to Register 110 with 0x00 (write static table selected)
 - Write to Register 111 with 0x7 (trigger the write operation)

VLAN Table

The VLAN table is used for VLAN table look-up. If 802.1q VLAN mode is enabled (Register 5 bit 7 = 1), this table is used to retrieve VLAN information that is associated with the ingress packet. There are three fields with FID (filter ID), Valid, and VLAN membership in VLAN table. The three fields must be initialized before the table is used. There is no VID field because the address index of 4096 entries in the VLAN table is used as the VID with per entry information of bits[12:0].

| Address | Name | Description | Mode | Initial Value suggestion |
|--------------------------------------------------------------------------------------------|------------|-----------------------------------------------------------------------------------------------------------------------------------------------------------------------------------------------------------------------------------------------------------------|------|--------------------------|
| Format of Static VLAN Table (Support Max 4096 VLAN ID entries and 128 Active VLANs) | | | | |
| 12 | Valid | 1, the entry is valid. 0, entry is invalid. | R/W | 0 |
| 11-7 | Membership | Specify which ports are members of the VLAN. If a DA look-up fails (no match in both static and dynamic tables), the packet associated with this VLAN will be forwarded to ports specified in this field. E.g., 11001 means Ports 5, 4, and 1 are in this VLAN. | R/W | 11111 |
| 6-0 | FID | Filter ID. KSZ8895MQ/RQ/FMQ supports 128 active VLANs represented by these seven bit fields. FID is the mapped ID. If 802.1q VLAN is enabled, the look-up will be based on FID+DA and FID+SA. | R/W | 0 |

Table 16. VLAN Table

If 802.1q VLAN mode is enabled, KSZ8895MQ/RQ/FMQ assigns a VID to every ingress packet when the packet is untagged or tagged with a null VID, the packet is assigned with the default port VID of the ingress port. If the packet is tagged with non-null VID, the VID in the tag is used. The look-up process starts from the VLAN table look-up based on VID number. If the entry is not valid in the VLAN table, the packet is dropped and no address learning occurs. If the entry is valid, the FID is retrieved. The FID+DA and FID+SA lookups in MAC tables are performed. The FID+DA look-up determines the forwarding ports. If FID+DA fails for look-up in the MAC table, the packet is broadcast to all the members or specified members (excluding the ingress port) based on the VLAN table. If FID+SA fails, the FID+SA is learned. To communicate between different active VLANs, set the same FID; otherwise set a different FID.

The VLAN table configuration is organized as 1024 VLAN sets, each VLAN set consists of four VLAN entries, to support up to 4096 VLAN entries. Each VLAN set has 52 bits and should be read or written at the same time specified by the indirect address.

The VLAN entries in the VLAN set are mapped to indirect data registers as follow:

- Entry0[12:0] maps to the VLAN set bits[12-0] {register119[4:0], register120[7:0]}
- Entry1[12:0] maps to the VLAN set bits[25-13]{register117[1:0], register118[7:0], register119[7:5]}
- Entry2[12:0] maps to the VLAN set bits[38-26]{register116[6:0], register117[7:2]}
- Entry3[12:0] maps to the VLAN set bits[51-39]{register114[3:0], register115[7:0], register116[7]}

In order to read one VLAN entry, the VLAN set is read first and the specific VLAN entry information can be extracted. To update any VLAN entry, the VLAN set is read first then only the desired VLAN entry is updated and the whole VLAN set is written back. The FID in the VLAN table is 7-bit, so the VLAN table supports unique 128 flow VLAN groups. Each VLAN set address is 10 bits long (Maximum is 1024) in the indirect address register 110 and 111, the bit[9-8] of VLAN set address is at bit[1-0] of register 110, and the bit[7-0] of VLAN set address is at bit[7-0] of register 111. Each Write and Read can access up to four consecutive VLAN entries.

Examples:

(1) VLAN Table Read (read the VID = 2 entry)

Write the indirect control and address registers first

Write to Register 110 (0x6E) with 0x14 (read VLAN table selected)

Write to Register 111 (0x6F) with 0x0 (trigger the read operation for VID = 0, 1, 2, 3 entries)

Then read the indirect data registers bits[38-26] for VID = 2 entry
 Read Register 116 (0x74), (register116[6:0] are bits 12-6 of VLAN VID = 2 entry)
 Read Register 117 (0x75), (register117[7:2] are bits 5-0 of VLAN VID = 2 entry)

(2) VLAN Table Write (write the VID = 10 entry)

Read the VLAN set that contains VID = 8, 9, 10, 11.
 Write to Register 110 (0x6E) with 0x14 (read VLAN table selected)
 Write to Register 111 (0x6F) with 0x02 (trigger the read operation and VID = 8, 9, 10, 11 indirect address)
 Read the VLAN set first by the indirect data registers 114, 115, 116, 117, 118, 119, 120.

Modify the indirect data registers bits[38-26] by the register 116 bit[6-0] and register 117 bit[7-2] as follows:

Write to Register 116 (0x74), (register116[6:0] are bits 12-6 of VLAN VID = 10 entry)
 Write to Register 117 (0x75), (register117[7:2] are bits 5-0 of VLAN VID = 10 entry)
 Then write the indirect control and address registers
 Write to Register 110 (0x6E) with 0x04 (write VLAN table selected)
 Write to Register 111 (0x6F) with 0x02 (trigger the write operation and VID = 8, 9, 10, 11 indirect address)

The table of the follow shows the relationship of the indirect address/data registers and VLAN ID.

| Indirect Address high/low bit[9-0] for VLAN sets | Indirect Data Registers Bits for each VLAN entry | VID Numbers | VID bit[12-2] in VLAN Tag | VID bit[1-0] in VLAN Tag |
|--------------------------------------------------|--------------------------------------------------|-------------|---------------------------|--------------------------|
| 0 | Bits[12-0] | 0 | 0 | 0 |
| 0 | Bits[25-13] | 1 | 0 | 1 |
| 0 | Bits[38-26] | 2 | 0 | 2 |
| 0 | Bits[51-39] | 3 | 0 | 3 |
| 1 | Bits[12-0] | 4 | 1 | 0 |
| 1 | Bits[25-13] | 5 | 1 | 1 |
| 1 | Bits[38-26] | 6 | 1 | 2 |
| 1 | Bits[51-39] | 7 | 1 | 3 |
| 2 | Bits[12-0] | 8 | 2 | 0 |
| 2 | Bits[25-13] | 9 | 2 | 1 |
| 2 | Bits[38-26] | 10 | 2 | 2 |
| 2 | Bits[51-39] | 11 | 2 | 3 |
| : | : | : | : | : |
| : | : | : | : | : |
| : | : | : | : | : |
| 1023 | Bits[12-0] | 4092 | 1023 | 0 |
| 1023 | Bits[25-13] | 4093 | 1023 | 1 |
| 1023 | Bits[38-26] | 4094 | 1023 | 2 |
| 1023 | Bits[51-39] | 4095 | 1023 | 3 |

Table 17. VLAN ID and Indirect Registers

Dynamic MAC Address Table

This table is read only. The contents are maintained by the KSZ8895MQ/RQ/FMQ only.

| Address | Name | Description | Mode | Default |
|---------------------------------------------------------|---------------------|-------------------------------------------------------------------------------------------------------------------------------------------------------------------------------------------|------|---------|
| Format of Dynamic MAC Address Table (1K entries) | | | | |
| 71 | MAC Empty | 1, there is no valid entry in the table. 0, there are valid entries in the table. | RO | 1 |
| 70-61 | No of Valid Entries | Indicates how many valid entries in the table. 0x3ff means 1K entries 0x1 and bit 71 = 0: means 2 entries 0x0 and bit 71 = 0: means 1 entry 0x0 and bit 71 = 1: means 0 entry | RO | 0 |
| 60-59 | Time Stamp | 2-bit counters for internal aging | RO | |
| 58-56 | Source Port | The source port where FID+MAC is learned. 000 Port 1 001 Port 2 010 Port 3 011 Port 4 100 Port 5 | RO | 0x0 |
| 55 | Data Ready | 1, The entry is not ready, retry until this bit is set to 0. 0, The entry is ready. | RO | |
| 54-48 | FID | Filter ID. | RO | 0x0 |
| 47-0 | MAC Address | 48-bit MAC address. | RO | 0x0 |

Table 18. Dynamic MAC Address Table

Examples:

- (1) Dynamic MAC Address Table Read (read the 1st entry), and retrieve the MAC table size
 - Write to Register 110 with 0x18 (read dynamic table selected)
 - Write to Register 111 with 0x0 (trigger the read operation) and then
 - Read Register 112 (71-64)
 - Read Register 113 (63-56); // the above two registers show # of entries
 - Read Register 114 (55-48) // if bit 55 is 1, restart (reread) from this register
 - Read Register 115 (47-40)
 - Read Register 116 (39-32)
 - Read Register 117 (31-24)
 - Read Register 118 (23-16)
 - Read Register 119 (15-8)
 - Read Register 120 (7-0)
- (2) Dynamic MAC Address Table Read (read the 257th entry), without retrieving # of entries information
 - Write to Register 110 with 0x19 (read dynamic table selected)
 - Write to Register 111 with 0x1 (trigger the read operation) and then
 - Read Register 112 (71-64)
 - Read Register 113 (63-56)
 - Read Register 114 (55-48) // if bit 55 is 1, restart (reread) from this register
 - Read Register 115 (47-40)
 - Read Register 116 (39-32)
 - Read Register 117 (31-24)
 - Read Register 118 (23-16)
 - Read Register 119 (15-8)
 - Read Register 120 (7-0)

MIB (Management Information Base) Counters

The MIB counters are provided on per port basis. These counters are read using indirect memory access as below:

For Port 1

| Offset | Counter Name | Description |
|--------|----------------------|----------------------------------------------------------------------------------------------------------------------------------------------------------------------|
| 0x0 | RxLoPriorityByte | Rx lo-priority (default) octet count including bad packets. |
| 0x1 | RxHiPriorityByte | Rx hi-priority octet count including bad packets. |
| 0x2 | RxUndersizePkt | Rx undersize packets w/good CRC. |
| 0x3 | RxFragments | Rx fragment packets w/bad CRC, symbol errors or alignment errors. |
| 0x4 | RxOversize | Rx oversize packets w/good CRC (max: 1536 or 1522 bytes). |
| 0x5 | RxJabbers | Rx packets longer than 1522B w/either CRC errors, alignment errors, or symbol errors (depends on max packet size setting) or Rx packets longer than 1916B only. |
| 0x6 | RxSymbolError | Rx packets w/ invalid data symbol and legal preamble, packet size. |
| 0x7 | RxCRCError | Rx packets within (64,1522) bytes w/an integral number of bytes and a bad CRC (upper limit depends on max packet size setting). |
| 0x8 | RxAlignmentError | Rx packets within (64,1522) bytes w/a non-integral number of bytes and a bad CRC (upper limit depends on max packet size setting). |
| 0x9 | RxControl8808Pkts | The number of MAC control frames received by a port with 88-08h in EtherType field. |
| 0xA | RxPausePkts | The number of PAUSE frames received by a port. PAUSE frame is qualified with EtherType (88-08h), DA, control opcode (00-01), data length (64B min), and a valid CRC. |
| 0xB | RxBroadcast | Rx good broadcast packets (not including errored broadcast packets or valid multicast packets). |
| 0xC | RxMulticast | Rx good multicast packets (not including MAC control frames, errored multicast packets or valid broadcast packets). |
| 0xD | RxUnicast | Rx good unicast packets. |
| 0xE | Rx64Octets | Total Rx packets (bad packets included) that were 64 octets in length. |
| 0xF | Rx65to127Octets | Total Rx packets (bad packets included) that are between 65 and 127 octets in length. |
| 0x10 | Rx128to255Octets | Total Rx packets (bad packets included) that are between 128 and 255 octets in length. |
| 0x11 | Rx256to511Octets | Total Rx packets (bad packets included) that are between 256 and 511 octets in length. |
| 0x12 | Rx512to1023Octets | Total Rx packets (bad packets included) that are between 512 and 1023 octets in length. |
| 0x13 | Rx1024to1522Octets | Total Rx packets (bad packets included) that are between 1024 and 1522 octets in length (upper limit depends on max packet size setting). |
| 0x14 | TxLoPriorityByte | Tx lo-priority good octet count, including PAUSE packets. |
| 0x15 | TxHiPriorityByte | Tx hi-priority good octet count, including PAUSE packets. |
| 0x16 | TxLateCollision | The number of times a collision is detected later than 512 bit-times into the Tx of a packet. |
| 0x17 | TxPausePkts | The number of PAUSE frames transmitted by a port. |
| 0x18 | TxBroadcastPkts | Tx good broadcast packets (not including errored broadcast or valid multicast packets). |
| 0x19 | TxMulticastPkts | Tx good multicast packets (not including errored multicast packets or valid broadcast packets). |
| 0x1A | TxUnicastPkts | Tx good unicast packets. |
| 0x1B | TxDeferred | Tx packets by a port for which the 1 st Tx attempt is delayed due to the busy medium. |
| 0x1C | TxTotalCollision | Tx total collision, half-duplex only. |
| 0x1D | TxExcessiveCollision | A count of frames for which Tx fails due to excessive collisions. |
| 0x1E | TxSingleCollision | Successfully Tx frames on a port for which Tx is inhibited by exactly one collision. |
| 0x1F | TxMultipleCollision | Successfully Tx frames on a port for which Tx is inhibited by more than one collision. |

Table 19. Port1 MIB Counter Indirect Memory Offerts

For port 2, the base is 0x20, same offset definition (0x20-0x3f)

For port 3, the base is 0x40, same offset definition (0x40-0x5f)

For port 4, the base is 0x60, same offset definition (0x60-0x7f)

For port 5, the base is 0x80, same offset definition (0x80-0x9f)

| Address | Name | Description | Mode | Default |
|-----------------------------------------------------|----------------|--------------------------------------------------------------|------|---------|
| Format of Per Port MIB Counters (16 entries) | | | | |
| 31 | Overflow | 1, Counter overflow. 0, No Counter overflow. | RO | 0 |
| 30 | Count Valid | 1, Counter value is valid. 0, Counter value is not valid. | RO | 0 |
| 29-0 | Counter Values | Counter value. | RO | 0 |

Table 20. Format of “Per Port” MIB Counter

| Offset | Counter Name | Description |
|--------|-----------------------|----------------------------------------------|
| 0x100 | Port1 Tx Drop Packets | Tx packets dropped due to lack of resources. |
| 0x101 | Port2 Tx Drop Packets | Tx packets dropped due to lack of resources. |
| 0x102 | Port3 Tx Drop Packets | Tx packets dropped due to lack of resources. |
| 0x103 | Port4 Tx Drop Packets | Tx packets dropped due to lack of resources. |
| 0x104 | Port5 Tx Drop Packets | Tx packets dropped due to lack of resources. |
| 0x105 | Port1 Rx Drop Packets | Rx packets dropped due to lack of resources. |
| 0x106 | Port2 Rx Drop Packets | Rx packets dropped due to lack of resources. |
| 0x107 | Port3 Rx Drop Packets | Rx packets dropped due to lack of resources. |
| 0x108 | Port4 Rx Drop Packets | Rx packets dropped due to lack of resources. |
| 0x109 | Port5 Rx Drop Packets | Rx packets dropped due to lack of resources. |

Table 21. All Port Dropped Packet MIB Counters

| Address | Name | Description | Mode | Default |
|-------------------------------------------------------|----------------|----------------|------|---------|
| Format of All Port Dropped Packet MIB Counters | | | | |
| 30-16 | Reserved | Reserved. | N/A | N/A |
| 15-0 | Counter Values | Counter value. | RO | 0 |

Table 22. Format of “All Dropped Packet” MIB Counter

Note:

All port dropped packet MIB counters do not indicate overflow or validity; therefore the application must keep track of overflow and valid conditions.

The KSZ8895MQ/RQ/FMQ provides a total of 34 MIB counters per port. These counters are used to monitor the port detail activity for network management and maintenance. These MIB counters are read using indirect memory access, per the following examples.

Programming Examples:

- (1) MIB counter read (read port 1 Rx64Octets counter)
 - Write to Register 110 with 0x1c (read MIB counters selected)
 - Write to Register 111 with 0xe (trigger the read operation)
 - Then
 - Read Register 117 (counter value 31-24)
 - // If bit 31 = 1, there was a counter overflow
 - // If bit 30 = 0, restart (reread) from this register
 - Read Register 118 (counter value 23-16)
 - Read Register 119 (counter value 15-8)
 - Read Register 120 (counter value 7-0)
- (2) MIB counter read (read port 2 Rx64Octets counter)
 - Write to Register 110 with 0x1c (read MIB counter selected)
 - Write to Register 111 with 0x2e (trigger the read operation)
 - Then
 - Read Register 117 (counter value 31-24)
 - //If bit 31 = 1, there was a counter overflow
 - //If bit 30 = 0, restart (reread) from this register
 - Read Register 118 (counter value 23-16)
 - Read Register 119 (counter value 15-8)
 - Read Register 120 (counter value 7-0)
- (3) MIB counter read (read port 1 tx drop packets)
 - Write to Register 110 with 0x1d
 - Write to Register 111 with 0x00
 - Then
 - Read Register 119 (counter value 15-8)
 - Read Register 120 (counter value 7-0)

Note:

To read out all the counters, the best performance over the SPI bus is $(160+3) \times 8 \times 80 = 104\mu\text{s}$, where there are 160 registers, 3 overhead, 8 clocks per access, at 12.5MHz. In the heaviest condition, the byte counter will overflow in 2 minutes. It is recommended that the software read all the counters at least every 30 seconds. The per port MIB counters are designed as "read clear." A per port MIB counter will be cleared after it is accessed. All port dropped packet MIB counters are not cleared after they are accessed. The application needs to keep track of overflow and valid conditions on these counters.

MIIM Registers

All the registers defined in this section can be also accessed via the SPI interface. Note: different mapping mechanisms are used for MIIM and SPI. The "PHYAD" defined in IEEE is assigned as "0x1" for Port 1, "0x2" for Port 2, "0x3" for Port 3, "0x4" for Port 4, and "0x5" for Port 5. The "REGAD" supported are 0x0-0x5 (0h-5h), 0x1D (1dh) and 0x1F (1fh).

| Address | Name | Description | Mode | Default |
|---------------------------------|------------------------|--------------------------------------------------------------------------------------------------------------------------------------------------------------------------------------------------------------------------------------------------------------------------------------------------------------------------------------------------------------------------------------------------------------------------------------------------------------------------------------------------------|-------------|---------|
| Register 0h: MII Control | | | | |
| 15 | Soft Reset | 1, PHY soft reset. 0, Normal operation. | R/W (SC) | 0 |
| 14 | Loop Back | 1 = Perform MAC loopback, loop back path as follows: Assume the loop-back is at Port 1 MAC, Port 2 is the monitor port. Port 1 MAC Loopback (Port 1 reg. 0, bit 14 = '1') Start: RXP2/RXM2 (Port 2). Can also start from port 3, 4, 5 Loopback: MAC/PHY interface of Port 1's MAC End: TXP2/TXM2 (Port 2). Can also end at Ports 3, 4, 5 respectively Setting address 0x3,4,5 reg. 0, bit 14 = '1' will perform MAC loopback on Ports 3, 4, 5 respectively. 0 = Normal Operation. | R/W | 0 |
| 13 | Force 100 | 1, 100Mbps. 0, 10Mbps. | R/W | 1 |
| 12 | AN Enable | 1, Auto-negotiation enabled. 0, Auto-negotiation disabled. | R/W | 1 |
| 11 | Power Down | 1, Power down. 0, Normal operation. | R/W | 0 |
| 10 | PHY Isolate | 1, Electrical PHY isolation of PHY from Tx+/Tx-. 0, Normal operation. | R/W | 0 |
| 9 | Restart AN | 1, Restart Auto-negotiation. 0, Normal operation. | R/W | 0 |
| 8 | Force Full Duplex | 1, Full duplex. 0, Half duplex. | R/W | 0 |
| 7 | Collision Test | Not supported. | RO | 0 |
| 6 | Reserved | | RO | 0 |
| 5 | Hp_mdix | 1 = HP Auto MDI/MDI-X mode 0 = Micrel Auto MDI/MDI-X mode | R/W | 1 |
| 4 | Force MDI | 1, Force MDI. 0, Normal operation. | R/W | 0 |
| 3 | Disable Auto MDI/MDI-X | 1, Disable auto MDI/MDI-X. 0, Normal operation. | R/W | 0 |
| 2 | Disable far End fault | 1, Disable far end fault detection. 0, Normal operation. | R/W | 0 |
| 1 | Disable Transmit | 1, Disable transmit. 0, Normal operation. | R/W | 0 |
| 0 | Disable LED | 1, Disable LED. 0, Normal operation. | R/W | 0 |

MIIM Registers (Continued)

| Address | Name | Description | Mode | Default |
|-------------------------------------------|---------------------|---------------------------------------------------------------------------------------|------|---------|
| Register 1h: MII Status | | | | |
| 15 | T4 Capable | 0, Not 100 BASE-T4 capable. | RO | 0 |
| 14 | 100 Full Capable | 1, 100BASE-TX full-duplex capable. 0, Not capable of 100BASE-TX full-duplex. | RO | 1 |
| 13 | 100 Half Capable | 1, 100BASE-TX half-duplex capable. 0, Not 100BASE-TX half-duplex capable. | RO | 1 |
| 12 | 10 Full Capable | 1, 10BASE-T full-duplex capable. 0, Not 10BASE-T full-duplex capable. | RO | 1 |
| 11 | 10 Half Capable | 1, 10BASE-T half-duplex capable. 0, 10BASE-T half-duplex capable. | RO | 1 |
| 10-7 | Reserved | | RO | 0 |
| 6 | Preamble Suppressed | Not supported. | RO | 0 |
| 5 | AN Complete | 1, Auto-negotiation complete. 0, Auto-negotiation not completed. | RO | 0 |
| 4 | far End fault | 1, far end fault detected. 0, No far end fault detected. | RO | 0 |
| 3 | AN Capable | 1, Auto-negotiation capable. 0, Not auto-negotiation capable. | RO | 1 |
| 2 | Link Status | 1, Link is up. 0, Link is down. | RO | 0 |
| 1 | Jabber Test | Not supported. | RO | 0 |
| 0 | Extended Capable | 0, Not extended register capable. | RO | 0 |
| Register 2h: PHYID HIGH | | | | |
| 15-0 | Phyid High | High order PHYID bits. | RO | 0x0022 |
| Register 3h: PHYID LOW | | | | |
| 15-0 | Phyid Low | Low order PHYID bits. | RO | 0x1450 |
| Register 4h: Advertisement Ability | | | | |
| 15 | Next Page | Not supported. | RO | 0 |
| 14 | Reserved | | RO | 0 |
| 13 | Remote fault | Not supported. | RO | 0 |
| 12-11 | Reserved | | RO | 0 |
| 10 | Pause | 1, Advertise pause ability. 0, Do not advertise pause ability. | R/W | 1 |
| 9 | Reserved | | R/W | 0 |
| 8 | Adv 100 Full | 1, Advertise 100 full-duplex ability. 0, Do not advertise 100 full-duplex ability. | R/W | 1 |
| 7 | Adv 100 Half | 1, Advertise 100 half-duplex ability. 0, Do not advertise 100 half-duplex ability. | R/W | 1 |
| 6 | Adv 10 Full | 1, Advertise 10 full-duplex ability. 0, Do not advertise 10 full-duplex ability. | R/W | 1 |
| 5 | Adv 10 Half | 1, Advertise 10 half-duplex ability. 0, Do not advertise 10 half-duplex ability. | R/W | 1 |
| 4-0 | Selector Field | 802.3 | RO | 00001 |

MIIM Registers (Continued)

| Address | Name | Description | Mode | Default |
|-------------------------------------------------|--------------------------------|------------------------------------------------------------------------------------------------------------------------------------------------------------------------------------------------------------------------------------------------------------------------------------------------|-------------|----------------|
| Register 5h: Link Partner Ability | | | | |
| 15 | Next Page | Not supported. | RO | 0 |
| 14 | LP ACK | Not supported. | RO | 0 |
| 13 | Remote fault | Not supported. | RO | 0 |
| 12-11 | Reserved | | RO | 0 |
| 10 | Pause | 1, link partner flow control capable. 0, link partner not flow control capable. | RO | 0 |
| 9 | Reserved | | RO | 0 |
| Address | Name | Description | Mode | Default |
| 8 | Adv 100 Full | 1, link partner 100BT full-duplex capable. 0, link partner not 100BT full-duplex capable. | RO | 0 |
| 7 | Adv 100 Half | 1, link partner 100BT half-duplex capable. 0, link partner not 100BT half-duplex capable. | RO | 0 |
| 6 | Adv 10 Full | 1, link partner 10BT full-duplex capable. 0, link partner not 10BT full-duplex capable. | RO | 0 |
| 5 | Adv 10 Half | 1, link partner 10BT half-duplex capable. 0, link partner not 10BT half-duplex capable. | RO | 0 |
| 4-0 | Reserved | | RO | 00001 |
| Register 1dh: Reserved | | | | |
| 15 | Reserved | | RO | 0 |
| 14-13 | Reserved | | RO | 00 |
| 12 | Reserved | | RO | 0 |
| 11-9 | Reserved | | RO | 0 |
| 8-0 | Reserved | | RO | 000000000 |
| Register 1fh: PHY Special Control/Status | | | | |
| 15-11 | Reserved | | RO | 0000000000 |
| 10-8 | Port Operation Mode Indication | Indicate the current state of port operation mode: [000] = reserved [001] = still in auto-negotiation [010] = 10BASE-T half duplex [011] = 100BASE-TX half duplex [100] = reserved [101] = 10BASE-T full duplex [110] = 100BASE-TX full duplex [111] = PHY/MII isolate | RO | 000 |
| 7-6 | Reserved | N/A, don't change | R/W | xx |
| 5 | Polrvs | 1 = Polarity is reversed 0 = Polarity is not reversed | RO | 0 |
| 4 | MDI-X status | 1 = MDI-X 0 = MDI | RO | 0 |
| 3 | Force_Ink | 1 = Force link pass 0 = Normal operation | R/W | 0 |
| 2 | Pwrsave | 1 = Enable power save 0 = Disable power save | R/W | 0 |

MIIM Registers (Continued)

| Address | Name | Description | Mode | Default |
|---------|-----------------|------------------------------------------------------------------------------------------------------------------------------------------------------------------------------------------------------------------------------------------------------------------------------------------------------------------------------------------------|------|---------|
| 1 | Remote Loopback | 1 = Perform Remote loopback, loop back path as follows: Port 1 (PHY ID address 0x1 reg. 1f, bit 1 = '1') Start: RXP1/RXM1 (port 1) Loopback: PMD/PMA of port 1's PHY End: TXP1/TXM1 (port 1) Setting PHY ID address 0x2,3,4,5 reg. 1f, bit 1 = '1' will perform remote loopback on port 2, 3, 4, 5. 0 = Normal Operation. | R/W | 0 |
| 0 | Reserved | | RO | 0 |

Absolute Maximum Ratings⁽¹⁾

Supply Voltage
 (V_{DDAR} , V_{DDAP} , V_{DDC}) -0.5V to +2.4V
 (V_{DDAT} , V_{DDIO}) -0.5V to +4.0V
 Input Voltage -0.5V to +4.0V
 Output Voltage -0.5V to +4.0V
 Lead Temperature (soldering, 10 sec.) 270°C
 Storage Temperature (T_S) -55°C to +150°C
 HBM ESD Rating 4KV

Operating Ratings⁽²⁾

Supply Voltage
 (V_{DDAR} , V_{DDAP} , V_{DDC}) +1.15V to +1.25V
 (V_{DDAT}) +3.15V to +3.45V
 (V_{DDIO}) 3.15 to 3.45V or 2.4 to 2.6V or 1.71 to 1.89V
 Ambient Temperature (T_A)
 Commercial -0°C to +70°C
 Industrial -40°C to +85°C
 Package Thermal Resistance⁽³⁾
 Thermal Resistance (θ_{JA}) 41.54°C/W
 Thermal Resistance (θ_{JC}) 19.78°C/W

Electrical Characteristics^(4, 5)

$V_{IN} = 1.2V/3.3V$ (typ.); $T_A = 25^\circ C$

| Symbol | Parameter | Condition | Min | Typ | Max | Units |
|--------------------------------------------------------|---------------------------------------------|------------------------------|-----------------|-----|-----------------|---------|
| 100BASE-TX Operation—All Ports 100% Utilization | | | | | | |
| I_{DX} | 100BASE-TX (Transmitter) 3.3V Analog | V_{DDAT} | | 129 | | mA |
| I_{Dda} | 100BASE-TX 1.2V Analog | V_{DDAR} | | 40 | | mA |
| I_{DDc} | 100BASE-TX 1.2V Digital | V_{DDC} | | 45 | | mA |
| I_{DDIO} | 100BASE-TX (Digital IO) 3.3V Digital | V_{DDIO} | | 2.5 | | mA |
| 10BASE-T Operation —All Ports 100% Utilization | | | | | | |
| I_{DX} | 10BASE-T (Transmitter) 3.3V Analog | V_{DDAT} | | 124 | | mA |
| I_{Dda} | 10BASE-T 1.2V Analog | V_{DDAR} | | 15 | | mA |
| I_{DDc} | 10BASE-T 1.2V Digital | V_{DDC} | | 56 | | mA |
| I_{DDIO} | 10BASE-T (Digital IO) 3.3V Digital | V_{DDIO} | | 2 | | mA |
| Auto-Negotiation Mode | | | | | | |
| I_{DX} | 10BASE-T (Transmitter) 3.3V Analog | V_{DDAT} | | 75 | | mA |
| I_{Dda} | 10BASE-T 1.2V Analog | V_{DDAR} | | 39 | | mA |
| I_{EDM} | 10BASE-T 1.2V Digital | V_{DDC} | | 58 | | mA |
| I_{DDIO} | 10BASE-T (Digital IO) 3.3V Digital | V_{DDIO} | | 1.6 | | mA |
| Power Management Mode | | | | | | |
| I_{PSM1} | Power Saving Mode 3.3V | $V_{DDAT} + V_{DDIO}$ | | 38 | | mA |
| I_{PSM2} | Power Saving Mode 1.2V | $V_{DDAR} + V_{DDC}$ | | 73 | | mA |
| I_{SPDM1} | Soft Power Down Mode 3.3V | $V_{DDAT} + V_{DDIO}$ | | 1.6 | | mA |
| I_{SPDM2} | Soft Power Down Mode 1.2V | $V_{DDAR} + V_{DDC}$ | | 0.8 | | mA |
| I_{EDM1} | Energy Detect Mode 3.3V | $V_{DDAT} + V_{DDIO}$ | | 7.5 | | mA |
| I_{EDM2} | Energy Detect Mode 1.2V | $V_{DDAR} + V_{DDC}$ | | 46 | | mA |
| TTL Inputs | | | | | | |
| V_{IH} | Input High Voltage | | 2.0/2.0 /1.3 | | | V |
| V_{IL} | Input Low Voltage | | | | 0.8/0.6 /0.3 | V |
| I_{IN} | Input Current (Excluding Pull-up/Pull-down) | $V_{IN} = GND \sim V_{DDIO}$ | -10 | | 10 | μA |
| TTL Outputs | | | | | | |
| V_{OH} | Output High Voltage | $I_{OH} = -8mA$ | 2.4/1.9 /1.5 | | | V |

Electrical Characteristics^(4,5) (Continued)

| Symbol | Parameter | Condition | Min | Typ | Max | Units |
|--------------------------------------------------------------------------------------------------|----------------------------------|---------------------------------------------|------|------|-------------|-------|
| V _{OL} | Output Low Voltage | I _{OL} = 8mA | | | 0.4/0.4/0.2 | V |
| I _{OZ} | Output Tri-State Leakage | V _{IN} = GND ~ V _{DDIO} | | | 10 | μA |
| 100BASE-TX Transmit (measured differentially after 1:1 transformer) | | | | | | |
| V _O | Peak Differential Output Voltage | 100Ω termination on the differential output | 0.95 | | 1.05 | V |
| V _{IMB} | Output Voltage Imbalance | 100Ω termination on the differential output | | | 2 | % |
| t _r , t _f | Rise/fall Time | | 3 | | 5 | ns |
| | Rise/fall Time Imbalance | | 0 | | 0.5 | ns |
| | Duty Cycle Distortion | | | | ±0.5 | ns |
| | Overshoot | | | | 5 | % |
| | Output Jitters | Peak-to-peak | 0 | 0.75 | 1.4 | ns |
| 10BASE-T Receive | | | | | | |
| V _{SQ} | Squelch Threshold | 5MHz square wave | 300 | 400 | 585 | mV |
| 10BASE-T Transmit (measured differentially after 1:1 transformer) V_{DDAT} = 3.3V | | | | | | |
| V _P | Peak Differential Output Voltage | 100Ω termination on the differential output | 2.2 | 2.5 | 2.8 | V |
| | Output Jitters | Peak-to-peak | | 1.4 | 3.5 | ns |
| | Rise/fall Times | | | 28 | 30 | ns |

Notes:

- Exceeding the absolute maximum rating may damage the device.
- The device is not guaranteed to function outside its operating rating. Unused inputs must always be tied to an appropriate logic voltage level (ground or V_{DD}).
- No heat spreader in package. The thermal junction to ambient (θ_{JA}) and the thermal junction to case (θ_{JC}) are under air velocity 0m/s.
- Specification for packaged product only. There is no an additional transformer consumption due to use on chip termination technology with internal biasing for 10Base-T and 100Base-TX.
- Measurements were taken with operating ratings.

Timing Diagrams

EEPROM Timing

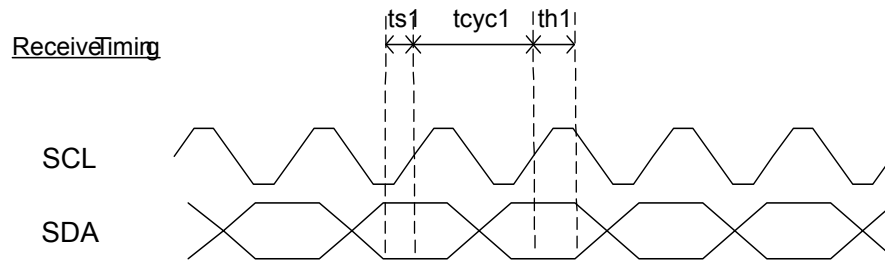


Figure 13. EEPROM Interface Input Receive Timing Diagram

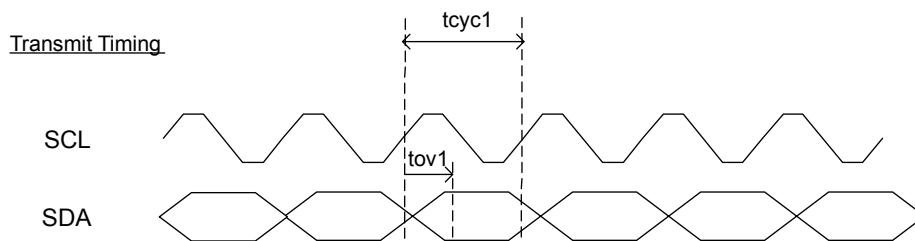


Figure 14. EEPROM Interface Output Transmit Timing Diagram

| Symbol | Parameter | Min | Typ | Max | Units |
|------------|--------------|------|-------|------|-------|
| t_{cyc1} | Clock Cycle | | 16384 | | ns |
| t_{s1} | Set-Up Time | 20 | | | ns |
| t_{h1} | Hold Time | 20 | | | ns |
| t_{ov1} | Output Valid | 4096 | 4112 | 4128 | ns |

Table 23. EEPROM Timing Parameters

SNI Timing

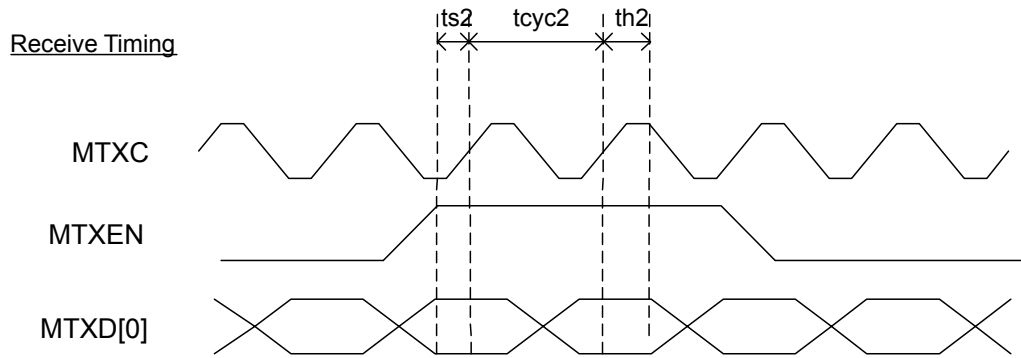


Figure 15. SNI Input Timing

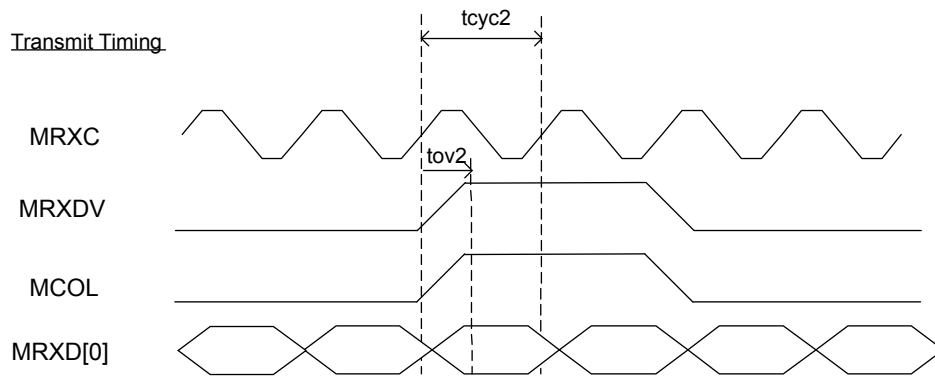


Figure 16. SNI Output Timing

| Symbol | Parameter | Min | Typ | Max | Units |
|------------|--------------|-----|-----|-----|-------|
| t_{cyc2} | Clock Cycle | | 100 | | ns |
| t_{s2} | Set-Up Time | 10 | | | ns |
| t_{h2} | Hold Time | 0 | | | ns |
| t_{o2} | Output Valid | 0 | 3 | 6 | ns |

Table 24. SNI Timing Parameters

MII Timing

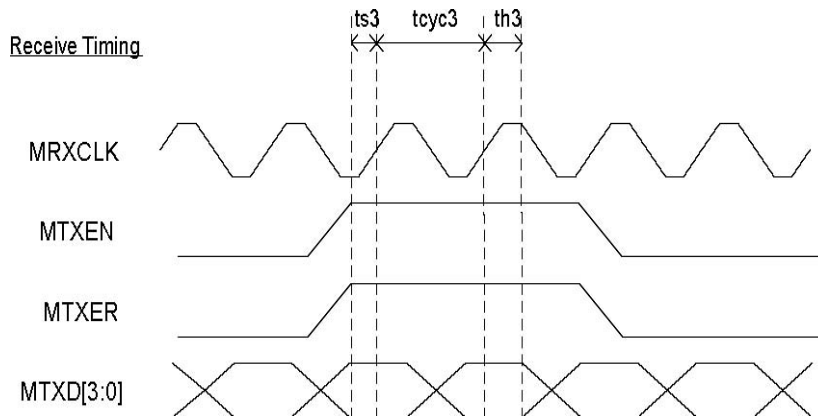


Figure 17. MAC Mode MII Timing – Data Received from MII

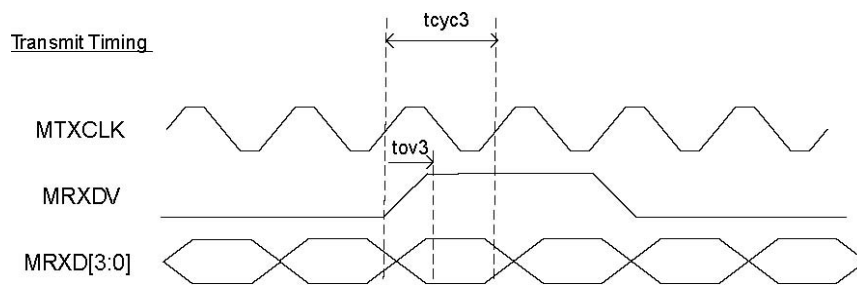


Figure 18. MAC Mode MII Timing – Data Transmitted from MII

| | | 10Base-T/100Base-TX | | | |
|--------|--------------|---------------------|--------|-----|-------|
| Symbol | Parameter | Min | Typ | Max | Units |
| tcyc3 | Clock Cycle | | 400/40 | | ns |
| ts3 | Set-Up Time | 10 | | | ns |
| th3 | Hold Time | 5 | | | ns |
| toV3 | Output Valid | 3 | 9 | 25 | ns |

Table 25. MAC Mode MII Timing Parameters

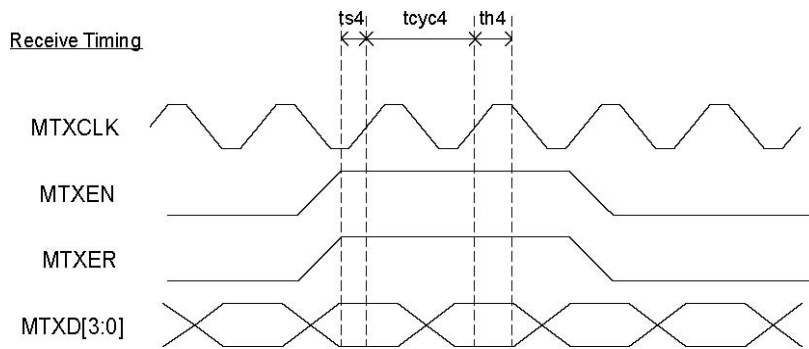


Figure 19. PHY Mode MII Timing – Data Received from MII

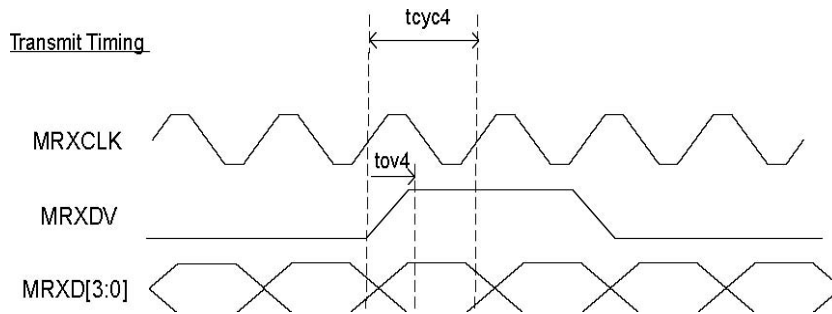


Figure 20. PHY Mode MII Timing – Data Transmitted from MII

| | | 10BaseT/100BaseT | | | |
|--------|--------------|------------------|--------|-----|-------|
| Symbol | Parameter | Min | Typ | Max | Units |
| tcyc4 | Clock Cycle | | 400/40 | | ns |
| ts4 | Set-Up Time | 10 | | | ns |
| th4 | Hold Time | 0 | | | ns |
| tov4 | Output Valid | 10 | 20 | 25 | ns |

Table 26. PHY Mode MII Timing Parameters

RMII Timing

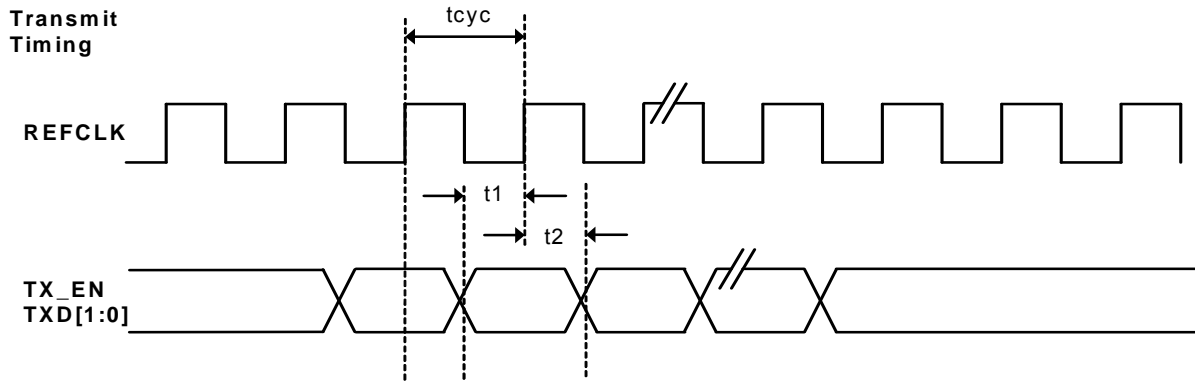


Figure 21. RMII Timing – Data Received from RMII

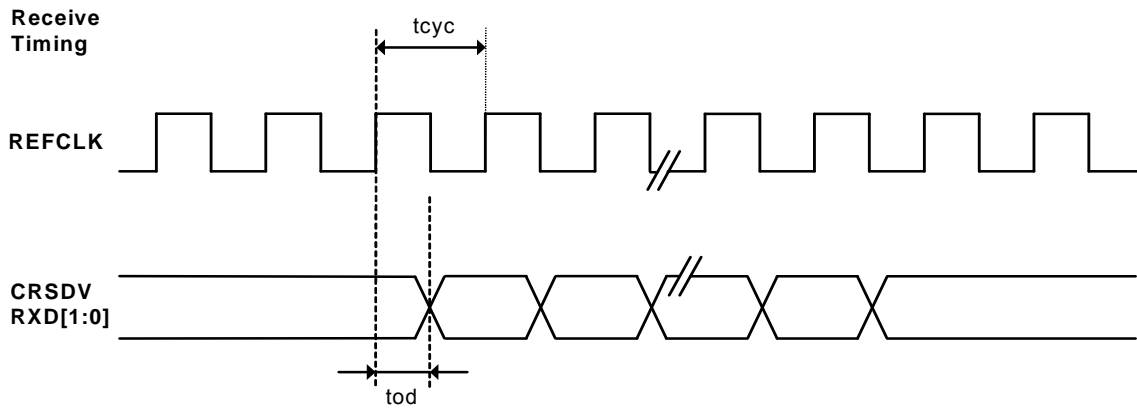


Figure 22. RMII Timing – Data Transmitted to RMII

| Timing Parameter | Description | Min | Typ | Max | Unit |
|------------------|--------------|-----|-----|-----|------|
| t_{cyc} | Clock cycle | | 20 | | ns |
| t_1 | Setup time | 4 | | | ns |
| t_2 | Hold time | 2 | | | ns |
| t_{od} | Output delay | 3 | | 14 | ns |

Table 27. RMII Timing Parameters

SPI Timing

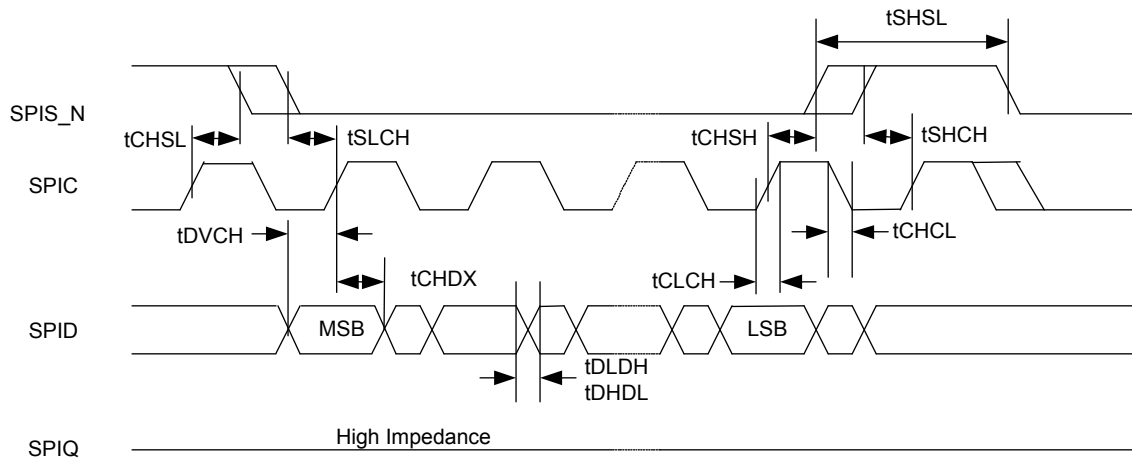


Figure 23. SPI Input Timing

| Symbol | Parameter | Min | Typ | Max | Units |
|------------|-----------------------------|-----|-----|-----|---------|
| f_c | Clock Frequency | | | 25 | MHz |
| t_{CHSL} | SPIS_N Inactive Hold Time | 10 | | | ns |
| t_{SLCH} | SPIS_N Active Set-Up Time | 10 | | | ns |
| t_{CHSH} | SPIS_N Active Hold Time | 10 | | | ns |
| t_{SHCH} | SPIS_N Inactive Set-Up Time | 10 | | | ns |
| t_{SHSL} | SPIS_N Deselect Time | 200 | | | ns |
| t_{DVCH} | Data Input Set-Up Time | 5 | | | ns |
| t_{CHDX} | Data Input Hold Time | 5 | | | ns |
| t_{CLCH} | Clock Rise Time | | | 1 | μ s |
| t_{CHCL} | Clock fall Time | | | 1 | μ s |
| t_{DLDH} | Data Input Rise Time | | | 1 | μ s |
| t_{DHDL} | Data Input fall Time | | | 1 | μ s |

Table 28. SPI Input Timing Parameters

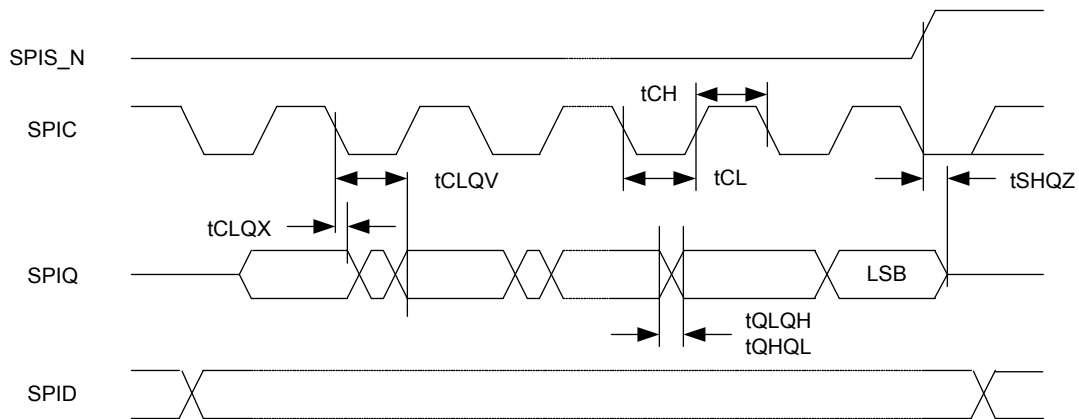


Figure 24. SPI Output Timing

| Symbol | Parameter | Min | Typ | Max | Units |
|------------|-------------------------|-----|-----|-----|-------|
| f_c | Clock Frequency | | | 25 | MHz |
| t_{CLQX} | SPIQ Hold Time | 0 | | 0 | ns |
| t_{CLQV} | Clock Low to SPIQ Valid | | | 15 | ns |
| t_{CH} | Clock High Time | 18 | | | ns |
| t_{CL} | Clock Low Time | 18 | | | ns |
| t_{QLQH} | SPIQ Rise Time | | | 50 | ns |
| t_{QHQL} | SPIQ fall Time | | | 50 | ns |
| t_{SHQZ} | SPIQ Disable Time | | | 15 | ns |

Table 29. SPI Output Timing Parameters

Auto-Negotiation Timing

Auto-Negotiation - Fast Link Pulse Timing

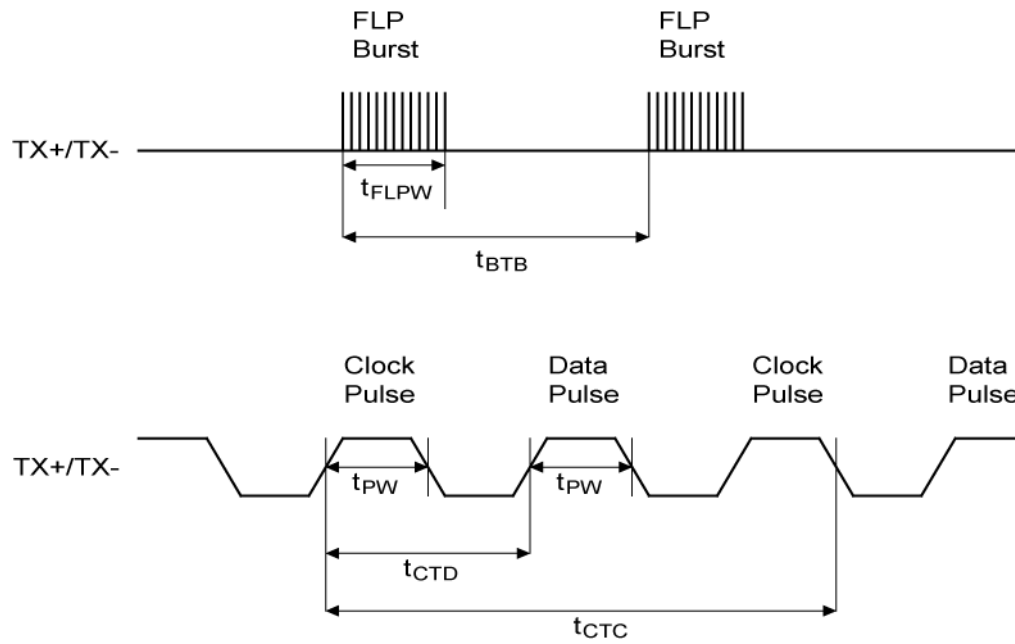


Figure 25: Auto-Negotiation Timing

| Symbols | Parameters | Min | Typ | Max | Units |
|------------|--------------------------------------|------|-----|------|---------|
| t_{BTB} | FLP burst to FLP burst | 8 | 16 | 24 | ms |
| t_{FLPW} | FLP burst width | | 2 | | ms |
| t_{PW} | Clock/Data pulse width | | 100 | | ns |
| t_{CTD} | Clock pulse to Data pulse | 55.5 | 64 | 69.5 | μ s |
| t_{CTC} | Clock pulse to Clock pulse | 111 | 128 | 139 | μ s |
| | Number of Clock/Data pulse per burst | 17 | | 33 | |

Table 30. Auto-Negotiation Timing Parameters

MDC/MDIO Timing

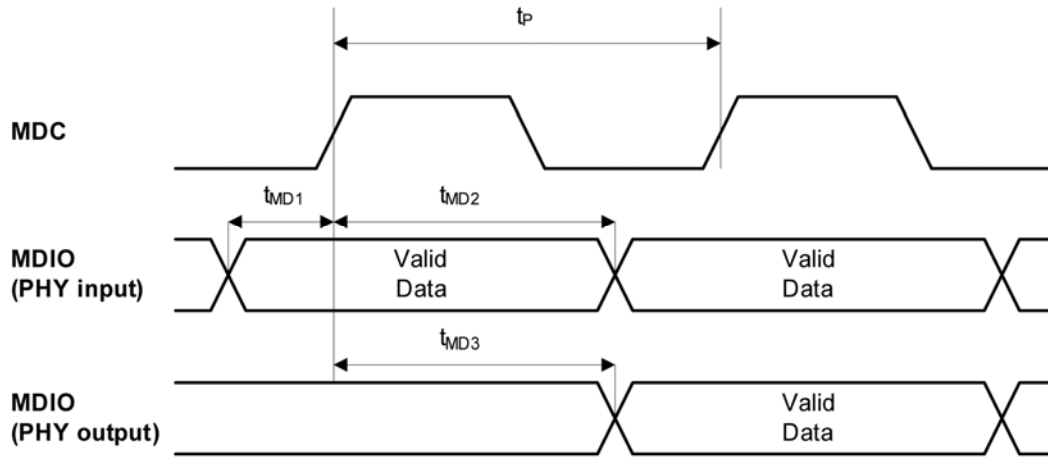


Figure 26. MDC/MDIO Timing

| Timing Parameter | Description | Min | Typ | Max | Unit |
|------------------|-------------------------------------------------|-----|-----|-----|------|
| t_P | MDC period | | 400 | | ns |
| t_{1MD1} | MDIO (PHY input) setup to rising edge of MDC | 10 | | | ns |
| t_{MD2} | MDIO (PHY input) hold from rising edge of MDC | 4 | | | ns |
| t_{MD3} | MDIO (PHY output) delay from rising edge of MDC | | 222 | | ns |

Table 31. MDC/MDIO Typical Timing Parameters

Reset Timing

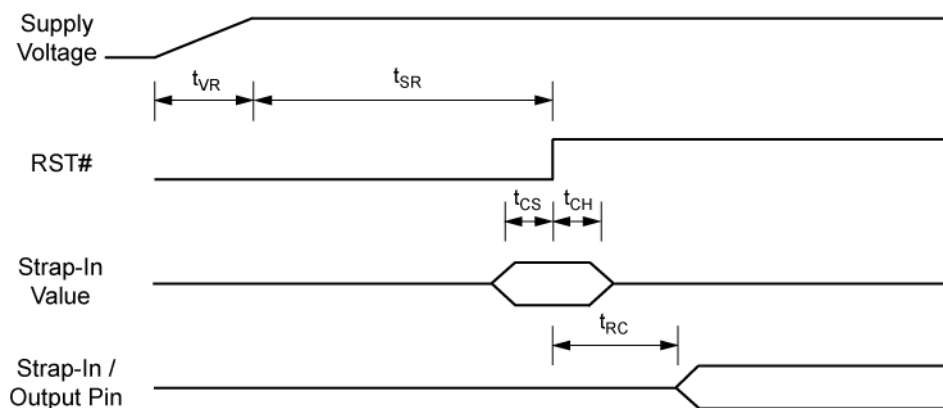


Figure 27. Reset Timing

| Symbol | Parameter | Min | Typ | Max | Units |
|-----------------|--------------------------------------|-----|-----|-----|-------|
| t _{SR} | Stable Supply Voltages to Reset High | 10 | | | ms |
| t _{CS} | Configuration Set-Up Time | 50 | | | ns |
| t _{CH} | Configuration Hold Time | 50 | | | ns |
| t _{RC} | Reset to Strap-In Pin Output | 50 | | | ns |
| t _{vr} | 3.3V rise time | 100 | | | us |

Table 32. Reset Timing Parameters

Reset Circuit Diagram

Micrel recommends the following discrete reset circuit as shown in Figure 22 when powering up the KS8895MQ device. For the application where the reset circuit signal comes from another device (e.g., CPU, FPGA, etc), we recommend the reset circuit as shown in Figure 23.

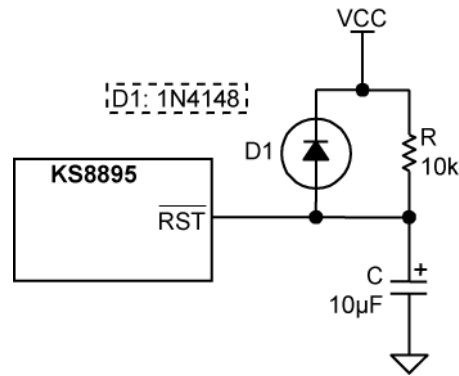


Figure 28. Recommended Reset Circuit

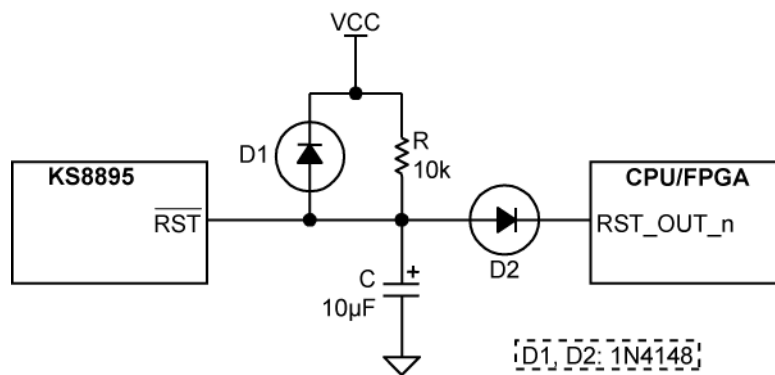


Figure 29. Recommended Circuit for Interfacing with CPU/FPGA Reset

At power-on-reset, R, C, and D1 provide the necessary ramp rise time to reset the Micrel device. The reset out RST_OUT_n from CPU/FPGA provides the warm reset after power up.

Selection of Isolation Transformer⁽¹⁾

One simple 1:1 isolation transformer is needed at the line interface. An isolation transformer with integrated common-mode choke is recommended for exceeding FCC requirements at line side. Request to separate the center taps of RX/TX at chip side. The following table gives recommended transformer characteristics.

| Characteristics Name | Value | Test Condition |
|----------------------------------|--------------|--------------------|
| Turns Ratio | 1 CT : 1 CT | |
| Open-Circuit Inductance (min.) | 350 μ H | 100mV, 100kHz, 8mA |
| Leakage Inductance (max.) | 0.4 μ H | 1MHz (min.) |
| Inter-Winding Capacitance (max.) | 12pF | |
| D.C. Resistance (max.) | 0.9 Ω | |
| Insertion Loss (max.) | 1.0dB | 0MHz to 65MHz |
| HIPOT (min.) | 1500Vrms | |

Table 33. Transformer Selection Criteria

Note:

1. The IEEE 802.3u standard for 100BASE-TX assumes a transformer loss of 0.5dB. For the transmit line transformer, insertion loss of up to 1.3dB can be compensated by increasing the line drive current by means of reducing the ISET resistor value.
2. The center taps of RX and TX should be isolated for the low power consumption.

The following transformer vendors provide compatible magnetic parts for Micrel's device:

| Vendors and Parts | | Auto MDIX | Number of Ports | Vendors and Parts | | Auto MDIX | Number of Ports |
|-------------------|------------|-----------|-----------------|-------------------|--------------|-----------|-----------------|
| Pulse | H1664NL | Yes | 4 | Pulse | H1102 | Yes | 1 |
| YCL | PH406082 | Yes | 4 | Bel Fuse | S558-5999-U7 | Yes | 1 |
| TDK | TLA-6T718A | Yes | 1 | YCL | PT163020 | Yes | 1 |
| LanKom | LF-H41S | Yes | 1 | Transpower | HB726 | Yes | 1 |
| Datatronc | NT79075 | Yes | 1 | Delta | LF8505 | Yes | 1 |

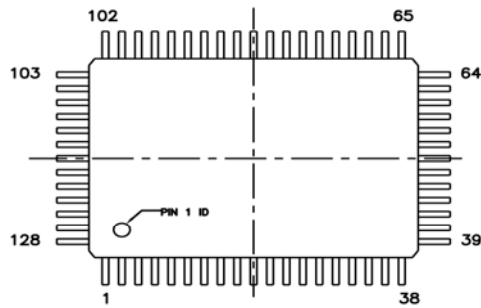
Table 34. Qualified Magnetic Vendors

Selection of Reference Crystal

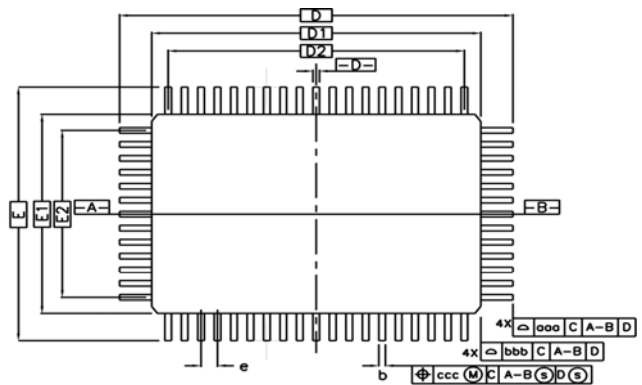
| Characteristics | Value | Units |
|-----------------------------|---------------|----------|
| Frequency | 25.00000 | MHz |
| Frequency tolerance (max) | $\leq \pm 50$ | ppm |
| Load capacitance (max) | 27 | pF |
| Series resistance (max ESR) | 40 | Ω |

Table 35. Typical Reference Crystal Characteristics

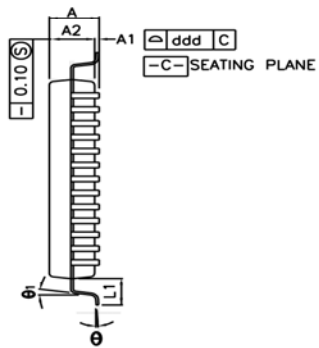
Package Information



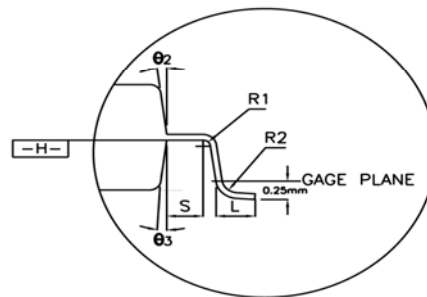
TOP VIEW



BOTTOM VIEW



SIDE VIEW



DETAILED VIEW

NOTES :

1. DIMENSION D1 AND E1 DO NOT INCLUDE MOLD PROTRUSION. ALLOWABLE PROTRUSION IS 0.25mm PER SIDE. DIMENSIONS D1 AND E1 DO INCLUDE MOLD MISMATCH AND ARE DETERMINED AT DATUM PLANE ---H---
2. DIMENSION b DOES NOT INCLUDE DAMBAR PROTRUSION. ALLOWABLE DAMBAR PROTRUSION SHALL BE 0.08mm TOTAL IN EXCESS OF THE b DIMENSION AT MAXIMUM MATERIAL CONDITION. DAMBAR CANNOT BE LOCATED ON THE LOWER RADIUS OR THE LEAD FOOT.
3. THE DIAGRAMS DO NOT REPRESENT THE ACTUAL PIN COUNT.

| SYMBOL | MILLIMETER | | | INCH | | |
|---------------------------------|------------|-------|-------|-----------|-------|-------|
| | MIN. | NOM. | MAX. | MIN. | NOM. | MAX. |
| A | — | — | 3.40 | — | — | 0.134 |
| A1 | 0.25 | — | — | 0.010 | — | — |
| A2 | 2.50 | 2.72 | 2.90 | 0.098 | 0.107 | 0.114 |
| D | 23.20 | BASIC | — | 0.913 | BASIC | — |
| D1 | 20.00 | BASIC | — | 0.787 | BASIC | — |
| E | 17.20 | BASIC | — | 0.677 | BASIC | — |
| E1 | 14.00 | BASIC | — | 0.551 | BASIC | — |
| R2 | 0.13 | — | 0.30 | 0.005 | — | 0.012 |
| R1 | 0.13 | — | — | 0.005 | — | — |
| θ | 0° | — | 7° | 0° | — | 7° |
| θ_1 | 0° | — | — | 0° | — | — |
| θ_2, θ_3 | 15° REF | | | 15° REF | | |
| c | 0.11 | 0.15 | 0.23 | 0.004 | 0.006 | 0.009 |
| L | 0.73 | 0.88 | 1.03 | 0.029 | 0.035 | 0.041 |
| L1 | 1.60 REF | | | 0.063 REF | | |
| S | 0.20 | — | — | 0.008 | — | — |
| b | 0.170 | 0.200 | 0.270 | 0.007 | 0.008 | 0.011 |
| e | 0.50 BSC. | | | 0.020 BSC | | |
| D2 | 18.50 | | | 0.728 | | |
| E2 | 12.50 | | | 0.492 | | |
| TOLERANCES OF FORM AND POSITION | | | | | | |
| ooo | 0.20 | | | 0.008 | | |
| bbb | 0.20 | | | 0.008 | | |
| ccc | 0.08 | | | 0.003 | | |
| ddd | 0.08 | | | 0.003 | | |

CONTROL DIMENSIONS ARE IN MILLIMETERS.

128-Pin PQFP

MICREL, INC. 2180 FORTUNE DRIVE SAN JOSE, CA 95131 USA
TEL +1 (408) 944-0800 FAX +1 (408) 474-1000 WEB <http://www.micrel.com>

Micrel makes no representations or warranties with respect to the accuracy or completeness of the information furnished in this data sheet. This information is not intended as a warranty and Micrel does not assume responsibility for its use. Micrel reserves the right to change circuitry, specifications and descriptions at any time without notice. No license, whether express, implied, arising by estoppel or otherwise, to any intellectual property rights is granted by this document. Except as provided in Micrel's terms and conditions of sale for such products, Micrel assumes no liability whatsoever, and Micrel disclaims any express or implied warranty relating to the sale and/or use of Micrel products including liability or warranties relating to fitness for a particular purpose, merchantability, or infringement of any patent, copyright or other intellectual property right.

Micrel Products are not designed or authorized for use as components in life support appliances, devices or systems where malfunction of a product can reasonably be expected to result in personal injury. Life support devices or systems are devices or systems that (a) are intended for surgical implant into the body or (b) support or sustain life, and whose failure to perform can be reasonably expected to result in a significant injury to the user. A Purchaser's use or sale of Micrel Products for use in life support appliances, devices or systems is a Purchaser's own risk and Purchaser agrees to fully indemnify Micrel for any damages resulting from such use or sale.

© 2011 Micrel, Incorporated.