

Model NO.	LCCE-013■351	Model Name	Constant Current Power Supply
Part NO.	PLCCE0013■351	SIZE	95 * 40 * 25 mm 【3.74 * 1.57 * 0.98 inch】



**FEATURES**

- ◆ AC Input 90~305Vac
- ◆ Protection: OVP / OTP / SCP
- ◆ High Operating ambient Temp: -20°C ~ +60°C
- ◆ Power Factor: >0.95@115VAC
- ◆ Safety: UL
- ◆ EMC: CE / FCC
- ◆ Comply with Indoor/Outdoor Waterproof (IP 67)
- ◆ Dimension(L\*W\*H): 95 \* 40 \* 25 mm
- ◆ Dimension(L\*W\*H): 3.74 \* 1.57 \* 0.98 inch
- ◆ ROHS Compliant

**Module : LCCE-013■351**

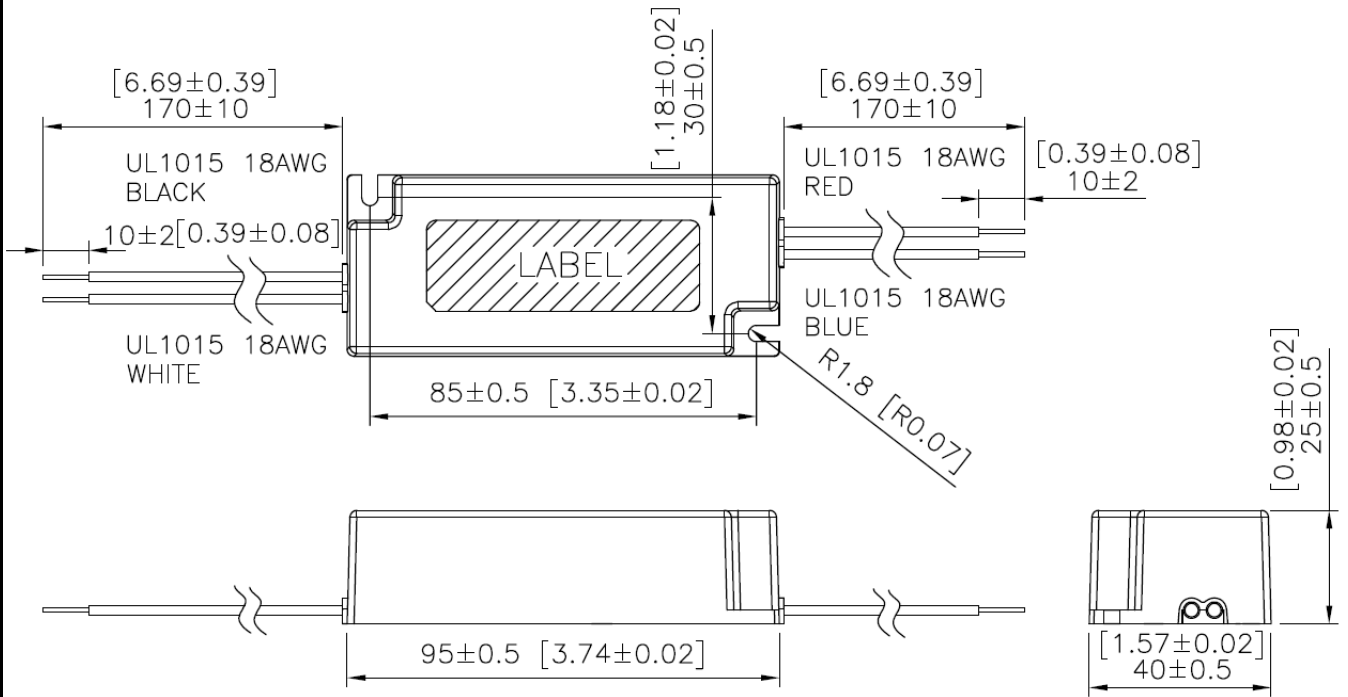
**\*,# =SEE NOTES BELOW**

*(8)	SPECIFICATION	MODEL LCCE-013■351		
		min.	norm.	max.
	DC OUTPUT VOLTAGE (V)		36	
*	PRESET ACCURACY (%) *(7)		10	
*	OUTPUT CURRENT(A) *(5)		0.35	
*	O/P NOISE (P-P, V) *(3)		2.8	
*	LINE REGULATION (%) *(6)		10	
	DC OUTPUT POWER	12.6W		
	EFFICIENCY(typ @Full Load)	82%		
	TURN ON DELAY TIME	3000ms at full load 115VAC/230VAC		
	INPUT VOLTAGE RANGE	90-305VAC, 127-431VDC, Normal : 100-277VAC		
	INPUT FREQUENCY	Range:47-63Hz, Normal : 50-60Hz		
	INRUSH CURRENT (typ)	COLD START 5A @ 230VAC		
	AC CURRENT	0.4A/110VAC		
	LEAKAGE CURRENT	<0.7mA/264VAC		
	SHORT CIRCUIT PROTECTION	The SCP will restart automatically after the fault condition is removed.		
	OVER TEMP. PROTECTION	The power will derate on the current limit.		
	OVER V, PROTECTION	The OVP is latched shutdown mode.		
*	OPERATING TEMP.*(4)	-20 to +60°C @full load		
	STORAGE TEMPERATURE	-40 to +80°C		
	RELATIVE HUMIDITY	10 to +90%		
	TEMP. COEFFICIENT	0.03% / °C (0-50°C, typ)		
	SAFETY	UL 60950-1		
	EMI	CE EN55015 / FCC Part15		
	DIMENSIONS(L*W*H)	95 * 40 * 25 mm 【3.74 * 1.57 * 0.98 inch】		

NOTES : (1)All parameters not specially mentioned are measured 230VAC input.  
 (2)All specifications Typical @25°C, unless otherwise noted, at normal line and load.  
 (3)Ripple and Noise measured directly at pins/terminals at nom. load, @20MHz bandwidth.  
 (4)Specified for free-air convection cooling.  
 (5)Minimum load is NOT required for proper operation .  
 (6)Line regulation measured from 100VAC to 277VAC.  
 (7)Preset accuracy measured at normal load, 120VAC input.  
 (8)100% Production Tested.

Model NO.	LCCE-013■351	Model Name	Constant Current Power Supply
Part NO.	PLCCE0013■351	SIZE	95 * 40 * 25 mm 【3.74 * 1.57 * 0.98 inch】

**Dimensions**



Unit : mm 【inch】

※Reference