

4NT319 SERIES CHART 1
 DRAWING NUMBER
 ISSUE 3
 P.T.C./CAD 2D
 LJK 22 NOV 99
 CHECK JAF 22 NOV 99
 RELEASE NO. PR-22515
 REPLACES

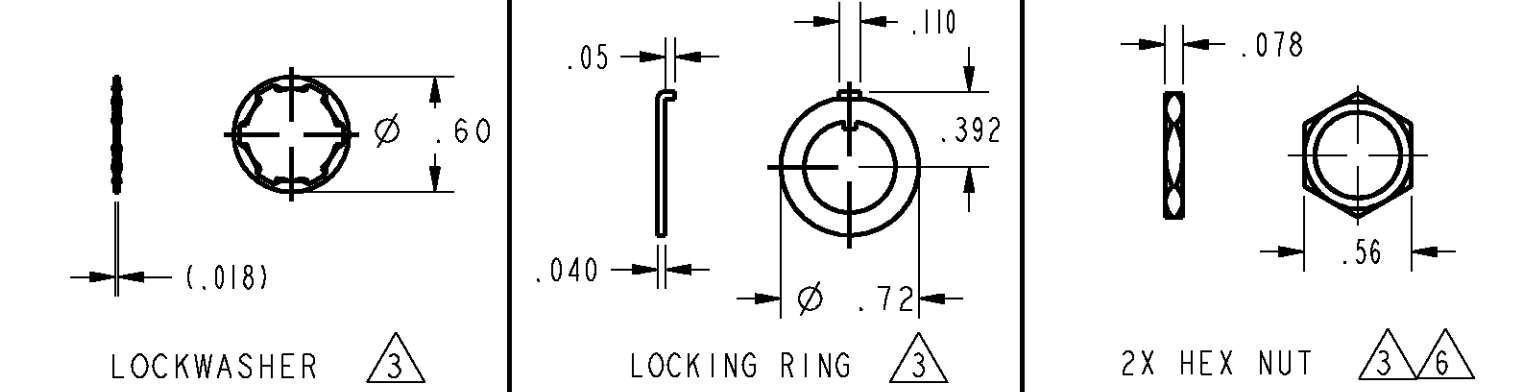
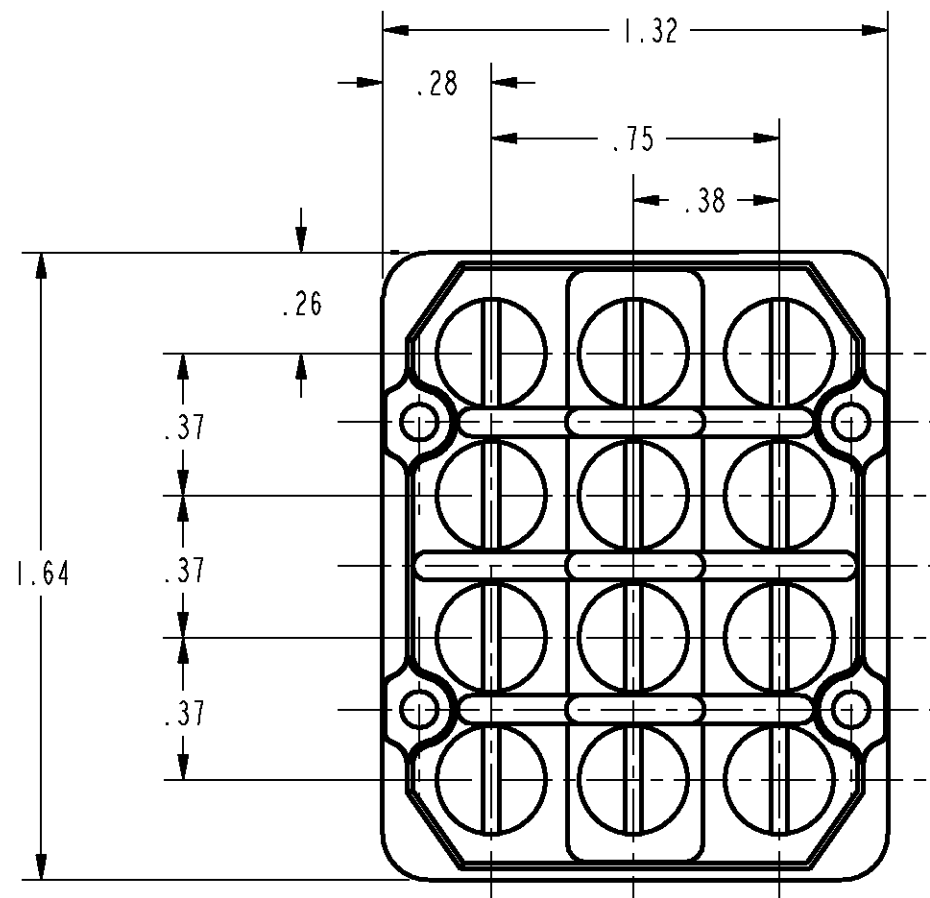
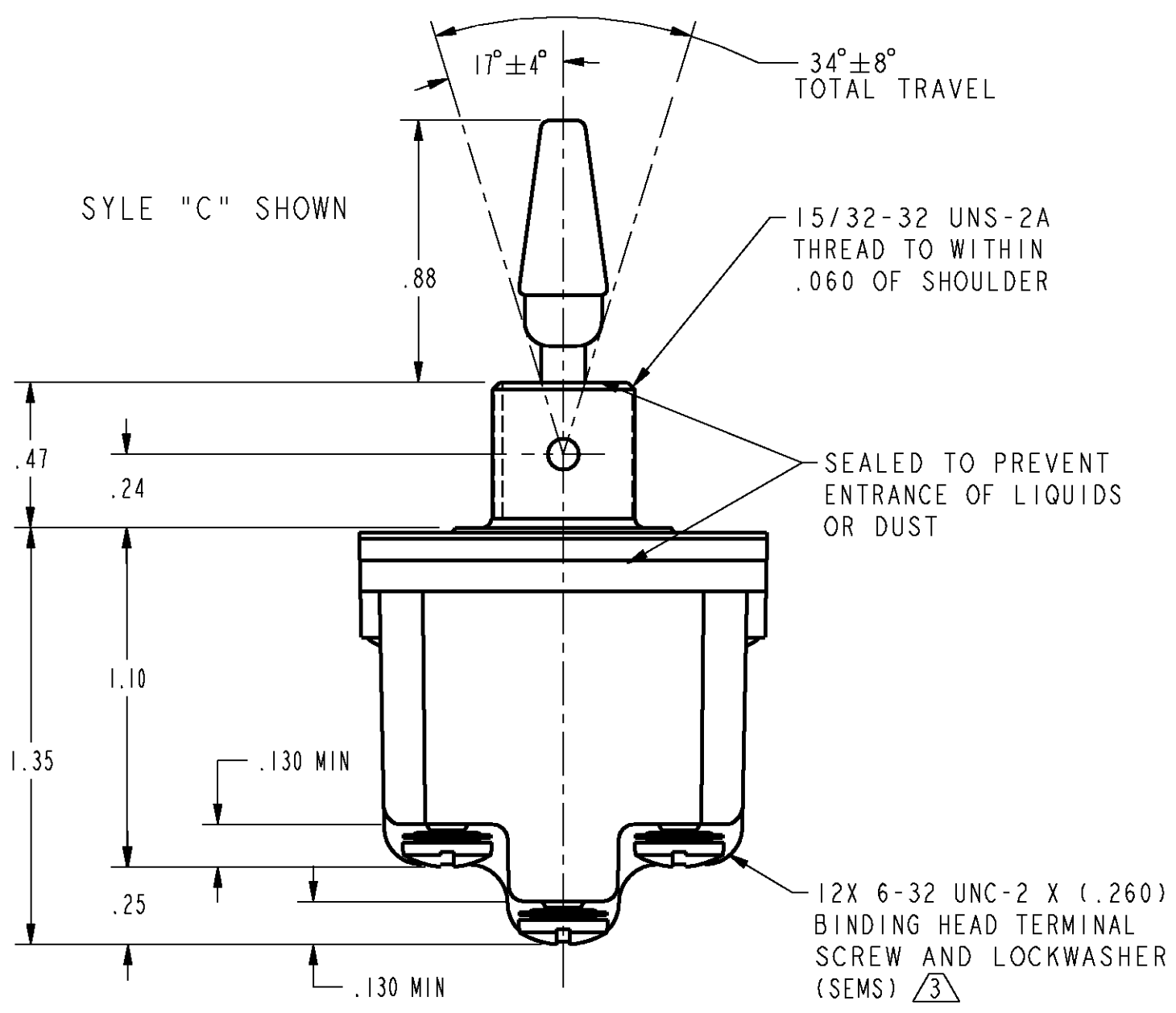
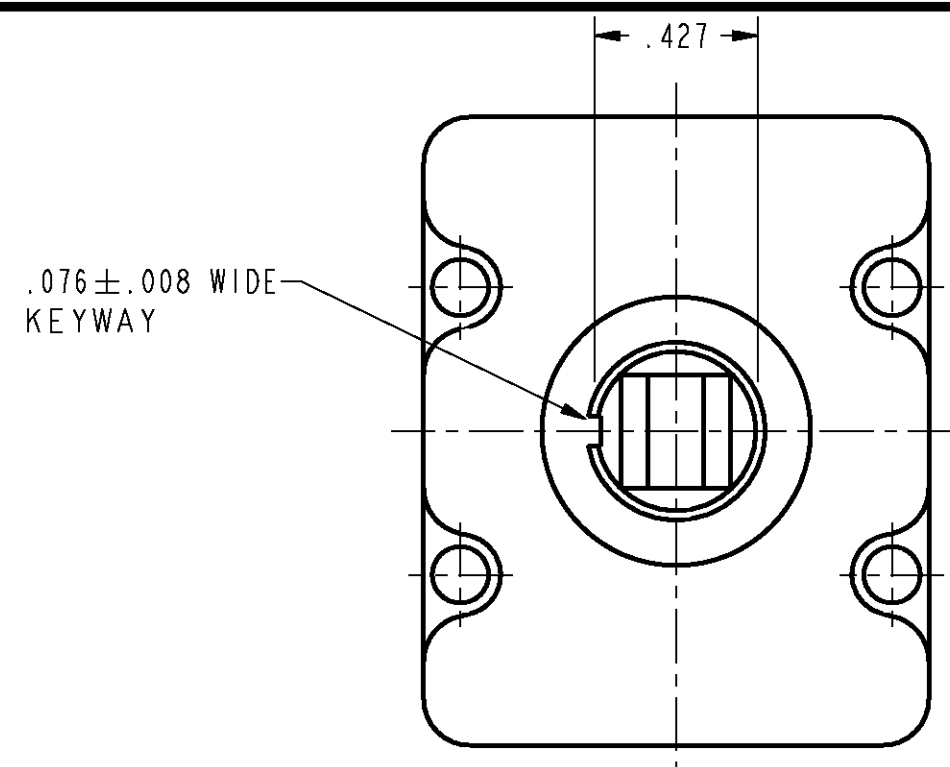
M 4NT319 SERIES CHART 1

ELECTRICAL DATA

L191 15A 125, 250, 277 VAC
 1/2HP 125 VAC
 1HP 250, 277 VAC
 5A 125 VAC "L"
CE
UL

L192 10A 125, 250, 277 VAC
 1/4HP 125 VAC
 1/2HP 250, 277 VAC
 3A 125 VAC "L"
CE
UL

CATALOG LISTING ⑤	CIRCUIT MADE WITH TOGGLE LEVER IN ④		
	KEYWAY SIDE (1-2, 4-5, 7-8, 10-11)	CENTER (1-2, 4-5, 7-8, 10-11)	OPPOSITE KEYWAY (2-3, 5-6, 8-9, 11-12)
4NT319-1-	ON	OFF	ON
4NT319-2-	OFF	NONE	ON
4NT319-3-	ON	NONE	ON
4NT319-21-	NONE	OFF	ON
4NT319-31-	NONE	ON	ON
4NT319-4-	MOM OFF	NONE	ON
4NT319-5-	MOM ON	OFF	ON
4NT319-6-	MOM ON	NONE	OFF
4NT319-7-	MOM ON	OFF	MOM ON
4NT319-8-	MOM ON	NONE	ON
4NT319-51-	NONE	ON	MOM ON
4NT319-61-	MOM ON	OFF	NONE



LEVER COLOR CODE ⑤		LEVER STYLE ⑤		
COLOR IDENT	COLOR	STYLE A	STYLE B	STYLE C
01	WHITE			
02	BLACK			
03	BLUE			
04	RED			
05	GREEN			
06	ORANGE			
07	GRAY			
08	YELLOW			

- NOTES
- SWITCHES ARE CAPABLE OF WITHSTANDING A TEMPERATURE OF 160°F CONTINUOUSLY AT FULL RATED LOAD
 - MICRO SWITCH CATALOG LISTING MARKED ON SIDE OF SWITCH
 - FURNISHED UNASSEMBLED
 - APPLIES ONLY TO "ON" AND "MOM ON" POSITIONS
 - SUFFIX MUST BE ADDED FOR SEDIRED LEVER STYLE AND COLOR (EXAMPLE: 4NT319-1-C08)
 - ONE HEX NUT HAS BLACK FINISH

THIS DRAWING COVERS A PROPRIETARY ITEM AND IS THE PROPERTY OF MICRO SWITCH, A DIVISION OF HONEYWELL. THIS DRAWING IS NOT TO BE COPIED OR USED WITHOUT THE APPROVAL OF MICRO SWITCH.

MICRO SWITCH
a Honeywell Division

SWITCH - TOGGLE

CATALOG LISTING
4NT319 SERIES CHART 1

THIRD ANGLE PROJECTION
SCALE 2 : 1
DO NOT SCALE PRINT
UNLESS OTHERWISE SPECIFIED TOLERANCES ARE
ONE PLACE (.0) ± .030
TWO PLACES (.00) ± .015
THREE PLACES (.000) ± .005
ANGLES ±
WEIGHT